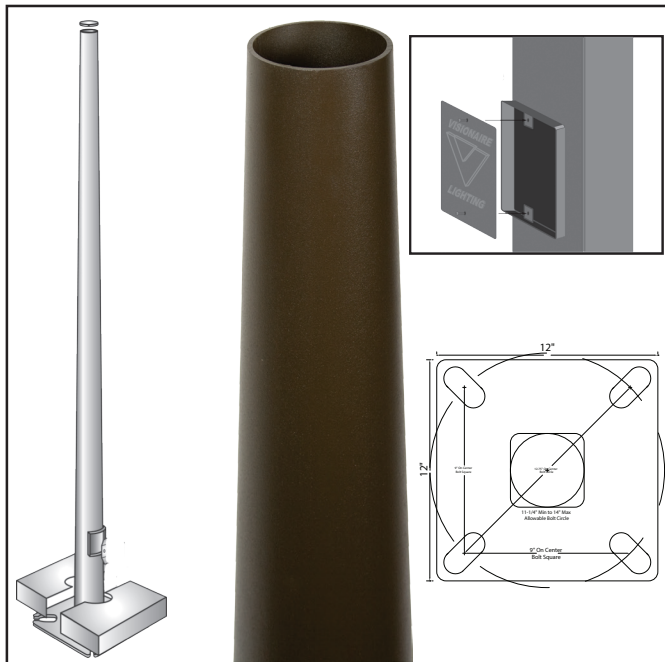


# RTSP Specifications



Project Name:

Catalog Number:

Type:

## Round Tapered Steel Pole

### Pole Shaft

Fabricated from coil stock, weldable grade, hot rolled commercial quality structural steel tube which has a wall thickness of 11 gauge or 7 gauge. Shaft conforms to ASTM specifications. Meets or exceeds minimum yield strength of 55,000 PSI. Shaft is furnished with ground lug inside pole, opposite hand hole opening.

### Base Plate

Fabricated from structural quality hot rolled steel. Meets or exceeds minimum yield strength of 36,000 PSI. Base is circumferentially welded to pole shaft. Bolt holes slotted to provide 1" flexibility on either side of bolt circle. Consult factory for pole base templates.

\* Base templates provided with order. Do not pre-pour.

### Base Cover

Standard base cover is square and fabricated from heavy gauge quality aluminum. Two piece cover for easy installation.

### Pole Cap

Color-impregnated polymer snap-to-close pole cap provided in black.

### Finish

All poles are lightly shot-blasted prior to painting. A Quali-Guard® textured thermoset polyester powder coat is then applied to a minimum of 3 millimeters and then oven-baked at a temperature of 400 °F to promote exceptional adherence and finish hardness. Pole finish is warranted for a full two (2) years.

### Anchor Bolts

Poles are provided with hot-dip galvanized anchor bolts, with a "J" bend on one end and two flat hex bolts end and two flat washers per bolt. Anchor bolts meet or exceed a minimum of 36,000 PSI. Anchor bolts conform to ASTM F1554 grade 36 and are provided.

## Ordering Information

MODEL	HEIGHT	GAUGE	BASE	ANCHORAGE	MOUNTING	FINISH	OPTIONS
<b>RTSP</b> Round Tapered Steel Pole	20' 24' 25' 30' 35' 39'	11  7	<b>12BC</b> 12" Base *12¾" BC  <b>CBC</b> Custom Bolt Circle *Consult Factory  <b>Direct Burial</b> *Consult Factory	<b>136</b> 1" x 36"	<b>Bolt-On Arm</b>  S1 Single D2 Double 180° D9 Double 90° T9 Triple 90° T1 Triple 120° QD Quad	<b>BZ</b> Bronze  <b>BK</b> Black  <b>SBK</b> Smooth Black  <b>WH</b> White  <b>SWH</b> Smooth White  <b>GP</b> Graphite  <b>GY</b> Grey  <b>SL</b> Silver Metallic  <b>GN</b> Tennis Green  <b>TG</b> Tennis Green  <b>FG</b> Forest Green	<b>GFI</b> GFI Receptacle *Standard location is in hand hole  <b>CUP</b> Coupling *Specify size and location  <b>RBC</b> Round Base Cover  <b>HCR</b> Rust-Inhibiting Internal Coating & Primer
					<b>Tenon Options</b>  T238R 2.375"  T3R 3"  T3.5R 3½"	<b>VD</b> Verdigris  <b>CC</b> Custom Color	

Pole EPA for Round Tapered Steel Poles														
Pole Height	Maximum Allowable EPA (ft <sup>2</sup> ) with 1.3 gust factor									Base Diameter	Pole Gauge	Bolt Circle	Anchor Bolt Size	Pole Weight
	90 mph	100 mph	110 mph	120 mph	130 mph	140 mph	150 mph	160 mph	170 mph					
20'	20.6	15.8	14.5	16.7	13.3	11.0	9.1	7.6	6.3	6 $\frac{3}{8}$ "	11	12 $\frac{3}{4}$ "	1" x 36"	144
20'	32.2	25.2	23.2	26.0	20.9	17.7	14.9	12.7	10.8	6 $\frac{3}{8}$ "	7	12 $\frac{3}{4}$ "	1" x 36"	192
25'	20.3	15.3	13.9	14.4	11.0	8.9	7.1	5.6	4.3	7 $\frac{1}{8}$ "	11	12 $\frac{3}{4}$ "	1" x 36"	209
25'	32.7	25.3	23.2	23.4	18.6	15.2	12.7	10.5	8.7	7 $\frac{1}{8}$ "	7	12 $\frac{3}{4}$ "	1" x 36"	284
30'	16.3	11.7	10.4	11.9	8.8	6.7	5.0	3.6	2.4	7 $\frac{3}{4}$ "	11	12 $\frac{3}{4}$ "	1" x 36"	255
30'	31.3	23.9	21.8	20.5	16.0	12.8	10.3	8.3	6.6	7 $\frac{3}{4}$ "	7	12 $\frac{3}{4}$ "	1" x 36"	374
35'	14.8	10.2	8.9	10.0	6.9	4.7	3.0	1.7	N/A	8 $\frac{3}{8}$ "	11	12 $\frac{3}{4}$ "	1" x 36"	315
35'	30.0	22.5	20.4	18.5	14.3	11.2	8.7	6.6	4.6	8 $\frac{3}{8}$ "	7	12 $\frac{3}{4}$ "	1" x 36"	420
39'	15.5	10.4	9.0	8.7	5.7	3.6	1.8	N/A	N/A	9 $\frac{1}{8}$ "	11	12 $\frac{3}{4}$ "	1" x 36"	359
39'	32.2	24.0	21.7	17.5	13.2	10.0	7.4	5.2	3.4	9 $\frac{1}{8}$ "	7	12 $\frac{3}{4}$ "	1" x 36"	510

· CAUTION: If any additional stress such as flags, banners, streamers, ropes, or any other such items are added to poles, Visionaire Lighting's normal product guarantee is null and void. Additionally, adding such items to any pole may create severely hazardous conditions. Poles are calculated to withstand steady wind velocities of between 70 and 100 mph wind zones with a 1.3 gust factor depending on height, wall thickness, and width/ diameter. For an exact rating on a specific order, contact Visionaire directly.