

# PREMIER Bollard LED Specifications



Project Name:

Catalog Number:

Type:

The new **Premier Bollard LED** Series continues the unique contemporary design inspired by the sleek styling of the Premier II family. Separating the Driver(s) from the individual die-cast aluminum LED engines: optimize the life of the LEDs and the Driver(s); and maximizes the lumen output of the fixture. The LED light assemblies come in 20 LEDs.

Six optical distribution patterns are available. Choose between 3000, 4000 or 5000 Kelvin temperature of the LED's.

A durable polyester powdercoat finish is guaranteed for five years; and is available in standard or custom colors.

The **Premier Bollard LED** Series is an exceptional choice for low level lighting applications.

## Ordering Information

MODEL	HEIGHT	OPTICS	SOURCE	CURRENT	KELVIN	VOLTAGE	MOUNTING	FINISH	OPTIONS
<b>PRB-1</b>	<b>S36</b> Straight 36"	<b>T1</b> Type 1	<b>20LC</b>	<b>1</b> 175mA	<b>3K</b> 3000K	<b>UNV</b> 120-277V	<b>AB</b> Anchor Base (Anchor Bolt Kit Supplied)	<b>BZ</b> Bronze	<b>PC-120</b> <b>PC-208</b> <b>PC-240</b> <b>PC-277</b> Button Type Photocell
	<b>S41</b> Straight 41"	<b>T2</b> Type 2		<b>3</b> 350mA	<b>4K</b> 4000K			<b>BK</b> Black	<b>DIM</b> 0-10v Dimming Driver
	<b>T41</b> Tapered 41"	<b>T3</b> Type 3		<b>5</b> 530mA	<b>5K</b> 5000K			<b>SBK</b> Smooth Black	<b>VRB</b> Vandal-Resis- tant Base
		<b>T4</b> Type 4		<b>7</b> 700mA				<b>WH</b> White	<b>GFI</b> GFI Receptacle Standard location is 18" from base
		<b>T5</b> Type 5						<b>SWH</b> Smooth White	<b>IR-(R, B, G, GL, W)</b> Illuminated Ring Red, Blue, Green, Gold, White
		<b>T5W</b> Type 5 Wide						<b>GP</b> Graphite	<b>LDL</b> Lightly Diffused Lens
								<b>GY</b> Grey	<b>HDL</b> High Diffused Lens
								<b>SL</b> Silver Metallic	
								<b>CC</b> Custom Color	

## Housing

The Premier Bollard consists of a durable, cast aluminum housing and lens door frame.

## Driver Compartment

The LED light engines are constructed of heavy-duty, cast aluminum. The extruded pole contains the driver(s), allowing for cooler operation and longer life. Silicone gasketing is utilized throughout the fixture for weather tight operation.

## Thermal Management

- The Premier Bollard Series provides excellent overall thermal management by maximizing the fixture's heat sink capabilities. This enables the Premier Bollard Series to withstand higher ambient temperatures and drive currents without degrading LED life. The Premier Bollard Series has a very low thermal resistance rating.
- The L70 test determines the point in an LEDs life when it reaches 70 percent of its initial output. The Premier Bollard Series LEDs have been determined to last a minimum of 100,000+ hours in 25° C environments when driven at 350 mA.

## Optical System

The highest lumen output LEDs are utilized in the Premier Bollard Series. IES distribution Types 1, 2, 3, 4, 5, and T5W are available. LED light assemblies come in 20 LEDs.

- The optical system qualifies as IES full cutoff to restrict light trespass, glare and light pollution.
- Serenity Lens Option
- CRI values are 70.
- Fixture comes standard with a polycarbonate lens.

## Quali-Guard® Finish

The finish is a Quali-Guard® textured, chemically pretreated through a multiple-stage washer, electrostatically applied, thermoset polyester powder coat finish, with a minimum of 3-5 mil thickness. Finish is oven-baked at 400° F to promote maximum adherence and finish hardness.

- All finishes are available in standard and custom colors.
- Finish is guaranteed for five (5) years.

## Mounting

The Premier Bollard Luminaire is easily mounted with anchor bolt kit.

## Electrical Assembly

- The Premier Bollard Series is supplied with a choice of 175, 350, 530, 700 mA high-performance LED drivers, that accept 120v, 50 Hz to 60 Hz, input.
- Power factor of 90%.
- Rated for -40° to 55° C operations.
- 10 kV surge protector supplied as standard.

## Warranty

Five (5) year Limited Warranty on entire system, including finish. For full warranty information, please visit [visionairelighting.com](http://visionairelighting.com).

## Options

- 0-10v Dimming Driver
- Button Type Photocell
- Vandal Resistant Base
- Illuminated Ring
- Serenity Lens Option

## Listings

- The Premier Bollard is cUL Listed, suitable for wet locations.
- IP-65 Rated
- Powder Coated Tough.
- DLC Listed
- IDA Certification



DesignLights Consortium (DLC) qualified Product. Some configurations of this product family may not be DesignLights Consortium (DLC) listed, please refer to the DLC qualified products list to confirm listed configurations. <http://www.designlights.org/>  
3000K must be selected for IDA certification.  
Fixed mount must be selected for IDA dark sky certification.

## Vandal Resistant Base Detail



ELECTRICAL LOAD (A)							
Ordering Nomenclature	System Watts	120	208	240	277	347	480
PRB-1-T5W-20LC-1	13	0.11	0.06	0.05	0.05	0.04	0.03
PRB-1-T5W-20LC-3	22	0.18	0.11	0.09	0.08	0.06	0.05
PRB-1-T5W-20LC-5	34	0.28	0.16	0.14	0.12	0.10	0.07
PRB-1-T5W-20LC-7	45	0.38	0.22	0.19	0.16	0.13	0.09

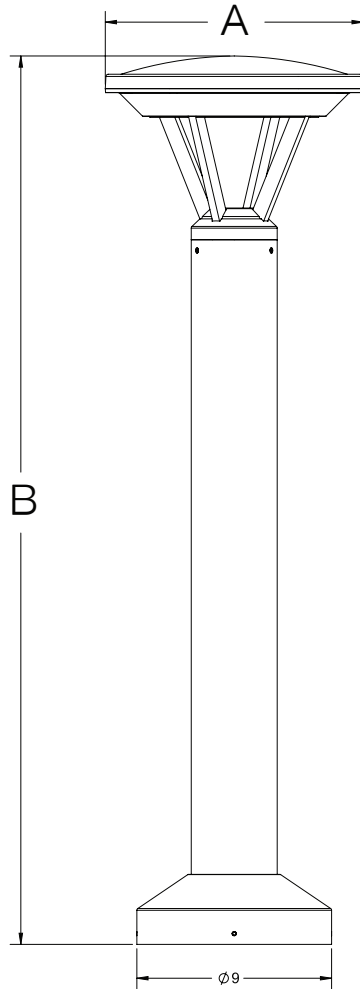
# PREMIER Bollard LED Specifications

## Photometric Optical Summary

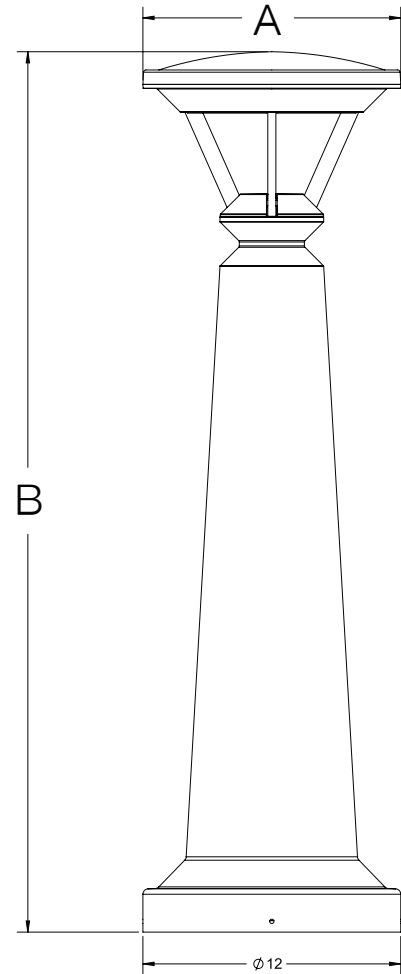
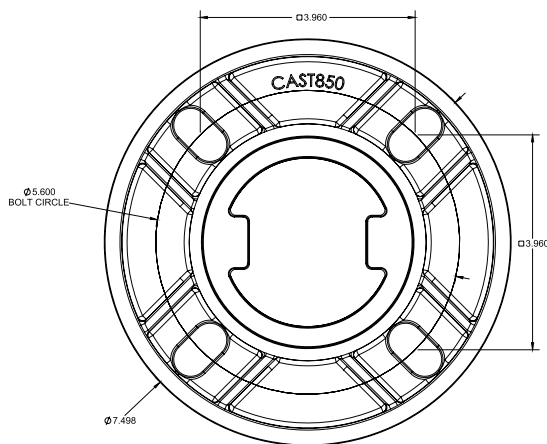


## Dimensions

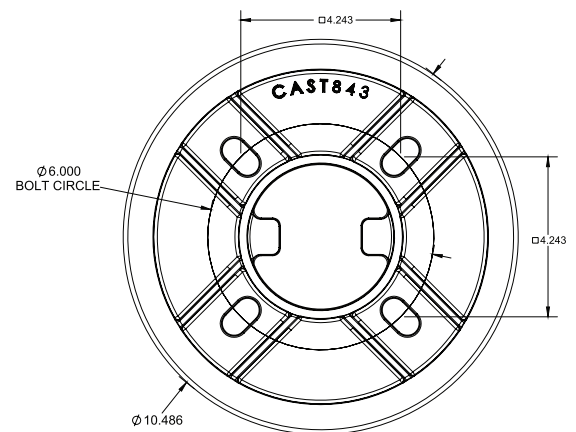
<b>Width:</b>	PRB-1 12"
<b>Height:</b>	PRB-1 41"



PREMIER BOLLARD  
BASE TEMPLATE



PREMIER BOLLARD  
TAPERED BASE TEMPLATE



3K LUMEN DATA																				
#LED	Current (mA)	T1	LPW	T2	LPW	T3	LPW	T4	LPW	T5	LPW	T5W	LPW	Watts						
20	175	1232	112	2283	104	2352	107	2202	100	2470	112	2327	106	11						
	350	2463	112	2283	104	2352	107	2202	100	2470	112	2327	106	22						
	530	3849	113	3568	105	3675	108	3341	101	3860	114	3637	107	34						
	700	4763	106	4415	98	4548	101	4258	95	4777	106	4500	100	45						
4K LUMEN DATA																				
20	175	1297	118	2283	109	2352	113	2202	105	2470	118	2327	106	11						
	350	2593	118	2404	109	2476	113	2318	105	2600	118	2450	111	22						
	530	4052	119	3756	110	3869	114	3622	107	4063	120	3828	113	34						
	700	5014	111	4648	103	4787	106	4482	100	5028	112	4737	105	45						
5K LUMEN DATA																				
20	175	2488	113	2307	105	2376	108	2224	101	2495	113	2351	107	11						
	350	2488	113	2307	105	2376	108	2224	101	2495	113	2351	107	22						
	530	3888	114	3604	106	3712	109	3460	102	899	115	674	108	34						
	700	4811	107	4460	99	4594	102	4301	92	4825	107	4546	101	45						
3K BUG DATA																				
#LED	Current (mA)	T1			T2			T3			T4			T5			T5W			Watts
		B	U	G	B	U	G	B	U	G	B	U	G	B	U	G	B	U	G	
20	350	1	3	1	1	3	1	1	3	1	1	3	1	1	3	1	2	3	2	22
20	530	2	3	2	1	3	1	1	3	1	1	3	1	2	3	1	2	3	2	34
20	700	2	3	2	1	3	2	1	3	1	1	3	1	2	3	1	3	3	3	45
4K BUG DATA																				
20	350	1	3	1	1	3	1	1	3	1	1	3	1	1	3	1	2	3	2	22
20	530	2	3	2	1	3	1	1	3	1	1	3	1	2	3	1	2	3	2	34
20	700	2	3	2	2	3	2	1	3	1	1	3	1	2	3	1	3	3	3	45
5K BUG DATA																				
20	350	1	0	1	1	0	1	1	0	1	1	0	1	1	0	1	2	0	1	22
20	530	2	0	2	1	0	1	1	0	1	1	0	1	2	0	1	2	0	1	34
20	700	2	0	2	2	0	2	1	0	1	1	0	1	2	0	1	2	0	1	45