

Fig. 1

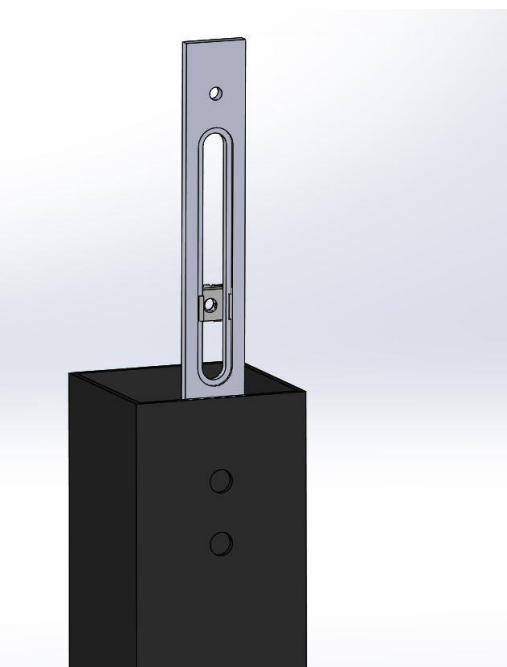


Fig. 2



Fig. 3



## BEFORE YOU BEGIN

- Read these instructions completely and carefully.
- Save these instructions for future use.



## WARNING

- To avoid possible risk of fire or shock turn off power prior to installation or maintenance preferably at circuit breaker. Product must be installed following all NEC and local
- Electrical Codes.

## UNPACKING

- This luminaire has been properly packaged so that no damage shall occur during transportation
- Inspect and confirm

## INSTALLATION

- Use drill pattern for poles that are not supplied by Visionaire Lighting. Be sure wire-way hole is free of rough edges and adverse burr (Fig. 1)
- Slip pole plate into top of pole and align to holes on pole making sure that pole plate is flush to inside of pole wall. (Fig. 2)
- Remove the access cover plate of luminaire by unscrewing #10-24 X 1/2" captive knuckled head thumb screws.
- Place the 3/8-16 X 1-1/2" hex head bolt with the washer and lock washer, aligning it with the pole and plate leaving 1" apart. (Fig. 3)



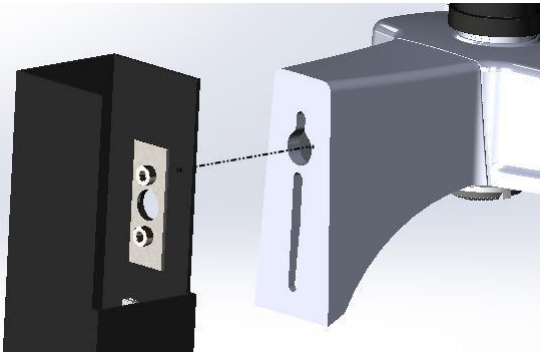


Fig. 4

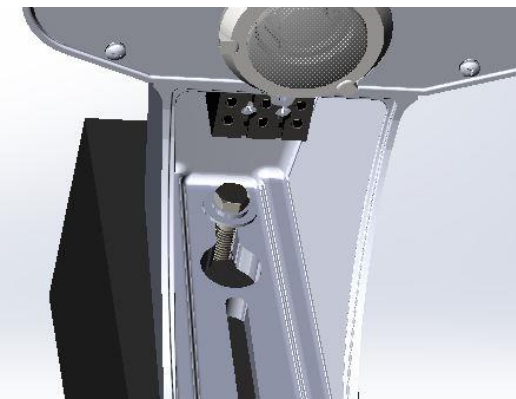


Fig. 5

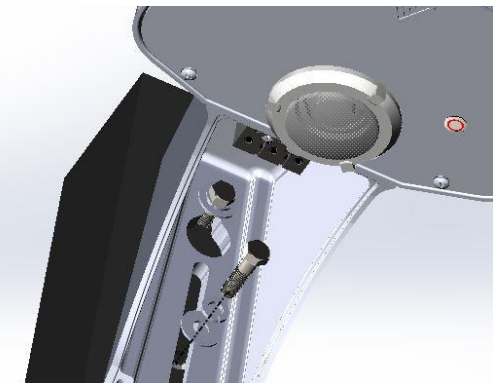


Fig. 6



Fig. 7

## INSTALLATION

- Mount the luminaire by aligning the arm mount casting (keyhole) and the hex head bolt (Fig.4), then carefully lower the luminaire to hang with 3/8-16 hex head bolt. (Fig. 5).
- Place the another 3/8-16 X 2" hex head bolt with the washer and lock washer, aligning the luminaire with the hole pole and tighten both hex head bolts to 19 ft-lb (Fig. 6).
- First supply lead wires and connect to the terminal block per NEC and/or any applicable local codes. (Fig.7)
- Replace the access cover plate and tighten #10-24 X 1/2" captive knuckled head thumb screws.

**NOTE:** Not to scale, for reference only

