



Square Non Tapered Steel Pole

Pole Shaft

- ASTM A500 Grade B tubing with minimum yield strength of 55,000 PSI. Shaft is furnished with ground lug inside pole, opposite hand hole opening. Center line of hand hole is 12" from base plate.

Base Plate

- Steel Plate base is ASTM-A36 hot rolled steel, meets or exceeds minimum yield strength of 36,000 PSI.
- Base templates provided with order. Do not pre-pour.

Base Cover

- Die-formed from heavy gauge quality aluminum. Two piece cover for easy installation.

Pole Cap

- Color-impregnated polymer snap-to-close pole cap provided in black.

Finish

- All poles are shot-blasted and cleaned to a near-white finish prior to painting. A Quali-Guard® textured thermoset polyester powder coat is then applied to a minimum of 3 mils and then oven-baked at a temperature of 400 °F to promote exceptional adherence and finish hardness. Optional Wood Grain Finish is a custom color and is limited to 20' pole height, please consult factory. Optional Zinc-Rich Primer - Recommended within three miles of the ocean. Pole finish is warranted for a full two (2) years. An optional five (5) year extended warranty is also available (external primer coat and internal rust inhibiting coating).

Project Name:

Catalog Number:

Type:

Date:

Location:






Anchor Bolts

- Poles are provided with hot-dip galvanized anchor bolts, with a "J" bend on one end and two flat hex bolts end and two flat washers per bolt. Anchor bolts meet or exceed a minimum of 36,000 PSI. Anchor bolts conform to ASTM F1554 grade 36 and are provided.

MODEL	SHAFT SIZE	GAUGE	HEIGHT	BASE	ANCHORAGE
SNTS Square Non Tapered Steel	4S 4"X4"	11 7	10'	9BC 9" Base 9 3/16" BC	343 3/4" X 30"
			12'		
			14'		
			16'		
			18'		
20'					
<hr/>					
	4S 4"X4"	11 7	22'	12BC 12" Base 12 3/4" BC	136 1" X 36"
			25'		
<hr/>					
	5S 5"X5"	11 7	20'	12BC 12" Base 12 3/4" BC	136 1" X 36"
			22'		
			25'		
			28'		
<hr/>					
	6S 6"X6"	7	28'	12BC 12" Base 12 3/4" BC	136 1" X 36"
			30'		
			35' *7G Only		

CBC
 Custom Bolt Circle
 · Consult Factory

Direct Burial
 *Consult Factory

MOUNTING	FINISH	OPTIONS
S1 Single Bolt-On Arm 	BZ Bronze BK Black SBK Smooth Black WH White SWH Smooth White	GFI GFI Receptacle *Standard location is in hand hole. *Specify GFI location if different from hand hole location. Supplied with in use cover. USB USB Receptacle *Specify location. Supplied with in use cover. CUP1/2 Coupling 1/2" *Specify location CUP3/4 Coupling 3/4" *Specify location
D2 Double 180° Bolt-On Arm 	GP Graphite GY Grey SL Silver Metallic GN Tennis Green	HCR Rust-Inhibiting Internal Coating & Primer *Required for Direct Burial Poles IVD Internal Vibration Dampener
D9 Double 90° Bolt-On Arm 	FG Forest Green CC Custom Color WGF Custom Wood Grain Finish *20' Max Pole Height *Consult Factory	EB Eye Bolt UL UL Certified
T9 Triple 90° Bolt-On Arm 	ZRP Zinc-Rich Primer Coat *Consult Factory	
QD Quad Bolt-On Arm 		
Tenon Options		
T238R 2 3/8"		
T3R 3"		
T3.5R 3 1/2"		
T4R 4"		

Pole EPA for Square Non Tapered Steel Poles

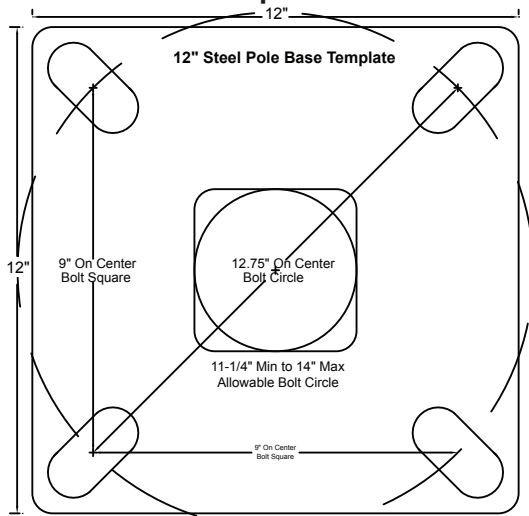
Pole Height	Maximum Allowable EPA (ft ²) with 1.3 gust factor							O.D.	Pole Gauge	Base Plate	Bolt Circle	Anchor Bolts
	80 mph	90 mph	100 mph	110 mph	120 mph	130 mph	140 mph					
10'	30.1	23.5	18.4	11.0	10.3	7.6	6.1	4"	11	9"sq x 3/4"	9-3/16"	3/4" x 30"
12'	23.0	17.4	13.7	8.5	7.4	5.7	4.4	4"	11	9"sq x 3/4"	9-3/16"	3/4" x 30"
14'	18.6	13.9	10.6	6.6	5.7	4.3	3.1	4"	11	9"sq x 3/4"	9-3/16"	3/4" x 30"
16'	15.0	10.9	10.1	4.8	3.9	3.1	1.9	4"	11	9"sq x 3/4"	9-3/16"	3/4" x 30"
18'	11.7	8.4	6.0	3.4	2.8	1.9	-	4"	11	9"sq x 3/4"	9-3/16"	3/4" x 30"
20'	9.3	6.4	4.3	2.4	1.7	1.3	-	4"	11	9"sq x 3/4"	9-3/16"	3/4" x 30"
20'	15.8	10.9	8.2	5.0	4.2	3.1	2.0	4"	7	9"sq x 3/4"	9-3/16"	3/4" x 30"
20'	17.1	12.3	8.9	5.0	4.1	3.0	1.4	5"	11	12"sq x 1"	12-3/4"	1" x 36"
20'	27.4	22.1	16.7	13.2	8.3	6.0	3.9	5"	7	12"sq x 1"	12-3/4"	1" x 36"
22'	6.3	3.7	1.9	1.3	-	-	-	4"	11	12"sq x 1"	12-3/4"	1" x 36"
22'	11.8	8.0	5.4	3.5	2.3	2.0	-	4"	7	12"sq x 1"	12-3/4"	1" x 36"
22'	12.6	8.4	5.4	3.2	1.9	1.6	-	5"	11	12"sq x 1"	12-3/4"	1" x 36"
22'	21.4	15.4	11.1	6.9	5.0	4.3	2.3	5"	7	12"sq x 1"	12-3/4"	1" x 36"
25'	5.0	2.9	1.3	-	-	-	-	4"	11	12"sq x 1"	12-3/4"	1" x 36"
25'	10.9	7.4	5.2	2.1	1.3	1.0	-	4"	7	12"sq x 1"	12-3/4"	1" x 36"
25'	10.2	6.6	4.0	1.6	-	-	-	5"	11	12"sq x 1"	12-3/4"	1" x 36"
25'	18.8	13.0	9.5	4.8	3.7	2.7	-	5"	7	12"sq x 1"	12-3/4"	1" x 36"
28'	5.6	3.1	1.4	1.1	-	-	-	4"	7	12"sq x 1"	12-3/4"	1" x 36"
28'	5.5	3.0	1.3	-	-	-	-	5"	11	12"sq x 1"	12-3/4"	1" x 36"
28'	12.0	7.6	4.4	2.8	1.3	1.1	-	5"	7	12"sq x 1"	12-3/4"	1" x 36"
28'	20.9	14.1	9.4	5.7	3.6	3.1	-	6"	7	12"sq x 1"	12-3/4"	1" x 36"
30'	5.0	2.2	-	-	-	-	-	5"	11	12"sq x 1"	12-3/4"	1" x 36"
30'	11.4	6.8	4.0	1.7	-	-	-	5"	7	12"sq x 1"	12-3/4"	1" x 36"
30'	18.9	12.8	8.4	4.3	3.0	1.9	-	6"	7	12"sq x 1"	12-3/4"	1" x 36"
35'	6.7	2.3	1.8	-	-	-	-	5"	7	12"sq x 1"	12-3/4"	1" x 36"
35'	12.1	7.0	3.8	-	-	-	-	6"	7	12"sq x 1"	12-3/4"	1" x 36"

For Direct Burial EPA, consult factory

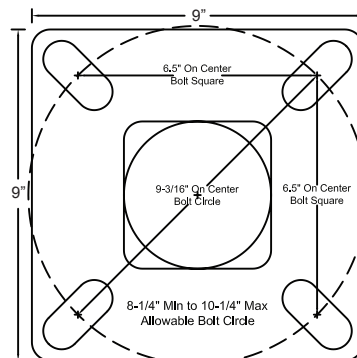
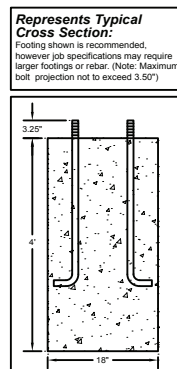
· CAUTION: If any additional stress such as flags, banners, streamers, ropes, or any other such items are added to poles, Visionaire Lighting's normal product guarantee is null and void. Additionally, adding such items to any pole may create severely hazardous conditions. Poles are calculated to withstand steady wind velocities of between 70 and 100 mph wind zones with a 1.3 gust factor depending on height, wall thickness, and width/ diameter. For an exact rating on a specific order, contact Visionaire directly.

· Certain geographic areas experience unique wind conditions that can cause wind-induced vibrations leading to a fatigue problem. There is currently no known method to predict destructive vibration of lighting poles. These conditions are unique and cannot be guaranteed against, and it is the responsibility of a site engineer to address them locally.

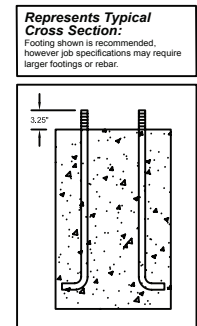
Base Plate Templates - Not To Scale



12" Steel Pole Base Template
1" x 36" Anchor Bolts

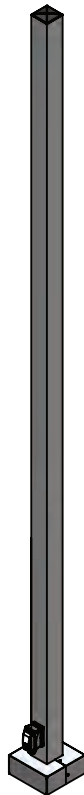


9" Steel Pole Base Template
3/4" x 30" Anchor Bolts



GFI Receptacle

Standard location is in hand hole.
Supplied with in-use cover.



*Specify GFI location if different from hand hole location.

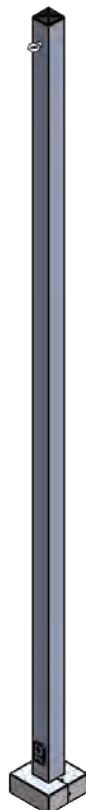
USB Receptacle

Standard location is in hand hole.
Supplied with in-use cover.



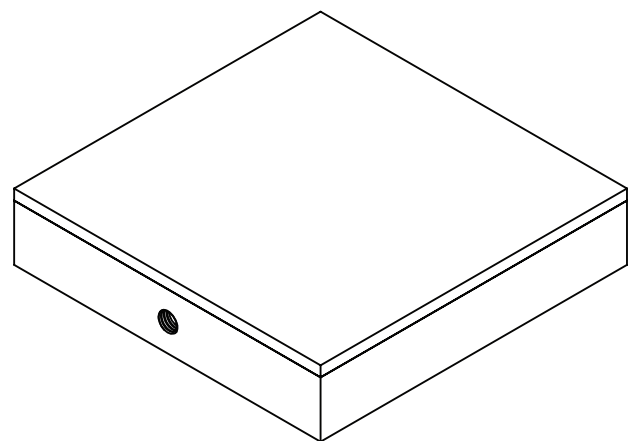
Eye Bolt

Specify orientation, height and location.
1 17/32" Max eye diameter. Standard
position 6" downwards from top, same
side as standard hand hole.



UL Certified

UL Certified option comes
supplied with aluminum
pole cap as standard.



1/2" Coupling

Specify orientation, height and location

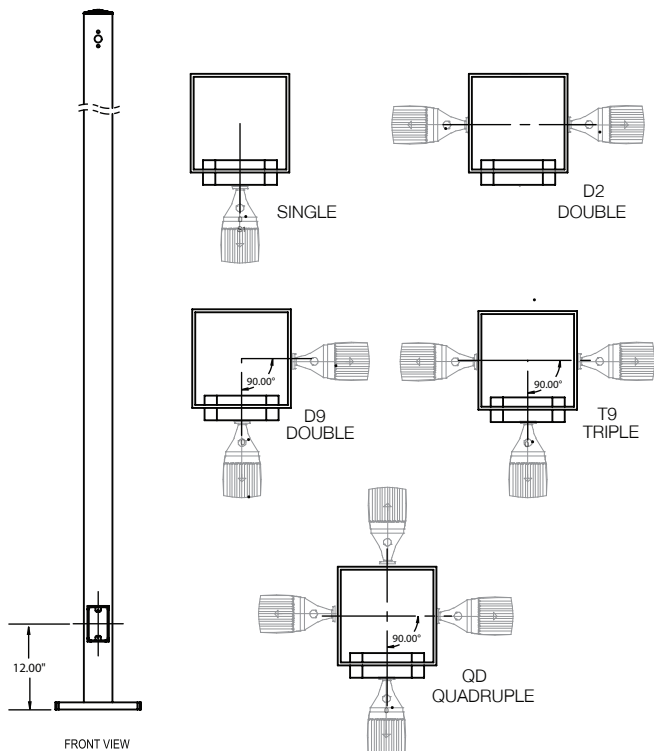


3/4" Coupling

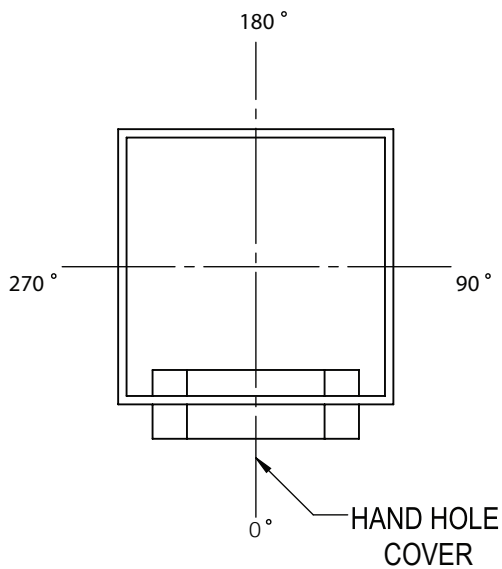
Specify orientation, height and location



Hand Hole And Fixture Orientation

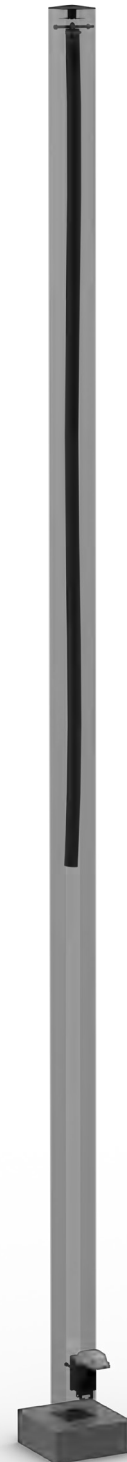


Hand Hole And Accesories Orientation



Internal Vibration Dampener

Internal Chain Vibration Damper can be installed in the field to mollify first mode pole vibration.

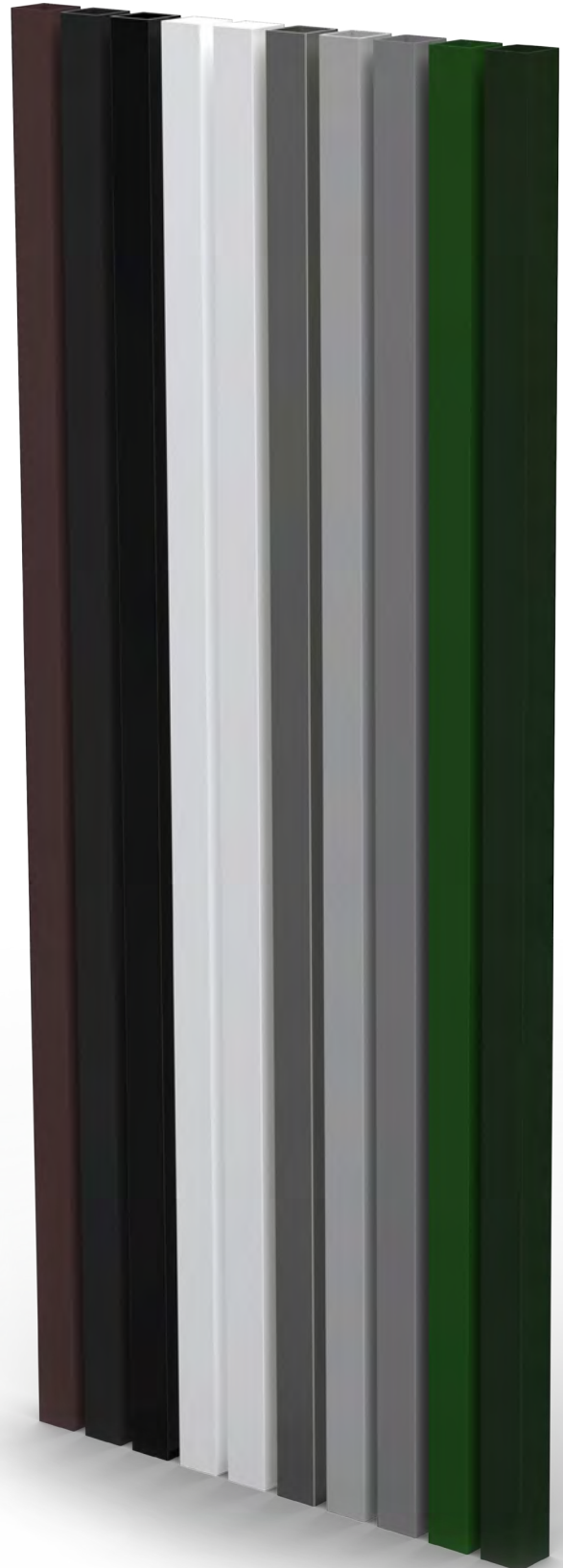


Custom Wood Grain Finish

Multi Stage Process for realistic wood grain finish. 20' Pole Height Max. Consult factory.



Standard Finish Colors



Rust-Inhibiting Internal Coating & Primer

Required for Direct Burial Poles

