

LUSSO ARRAY M-AM LED Specifications



Project Name:

Catalog Number:

Type:

Contemporary design meets the new generation of LED green technology in this stunning luminaire, the **Lusso Array**. The Lusso Array series provides over fifty percent energy savings over traditional HID light sources; and offers excellent beam control and LED life beyond 100,000 hours for 1400 milliamp systems. The Lusso Array is offered in ten optical distributions.

The Lusso Array's fully-sealed housing features an exceptionally well-designed thermal management system that provides superior heat dissipation.

The Lusso Array fixture is built with cast aluminum.

The **Lusso Array** is the perfect compliment to any university campus, business park, or walkway project where contemporary, architectural design is desired.

Ordering Information

MODEL	OPTICS	LUMENS	KELVIN	VOLTAGE	MOUNTING	FINISH	OPTIONS	OPTIONS
LSO-M	T1 Type 1	5L	3K 3000K	UNV 120-277V	AM Arm Mount	BK Black	PCR-120 PCR-208 PCR-240 PCR-277 PCR-347 PCR-480 Photocell & Receptacle	VWC Visionaire Wireless Controls Consult Factory
	T2 Type 2	10L	4K 4000K	8 347V	Round Pole Plate Adaptors (RPP) are to be ordered separately.	SBK Smooth Black	RPP For 3-5" Ø Pole - Round Pole Plate Adaptor	
	T3 Type 3	15L	5K 5000K	5 480V	UPMA to be ordered separately.	BZ Bronze	UPMA-S Universal Square Pole Mount Adaptor	
	T3L Type 3 Long	25L				GP Graphite	PER 5PINPER 7PINPER 3, 5, or 7 Pin Photo Receptacle w/shorting cap Requires Dimming Driver	UPMA-R Universal Round Pole Mount Adaptor
	T4 Type 4					GY Grey	ROT-R Rotated Optics Right Side	
	T4A Type 4 Automotive					SL Silver Metallic	ROT-L Rotated Optics Left Side	
	T4L Type 4 Long					WH White	CLS Backside cutoff shield	
	T5LR Type 5 Long Round					SWH Smooth White	RCLS Rightside cutoff shield	
	T5LS Type 5 Long Square					FG Forest Green	LCLS Leftside cutoff shield	
	T5SR Type 5 Short Round					VD Verdigris Green	WSC-8 Motion Sensor 8' Mounting Height	
						CC Custom Color	WSC-20 Motion Sensor 9-20' Mounting Height	
							WSC-40 Motion Sensor 21-40' Mounting Height	

*The WSC option will require (1) FSIR 100 remote for programming

Features & Specifications

LUSSO ARRAY M-AM

Housing

The Lusso Arrays housing is constructed from durable, corrosion-resistant, cast aluminum. Silicone gasketing is provided for complete weather and insect protection.

Thermal Management

The Lusso Array provides excellent overall thermal management by maximizing the efficiency of the heat sink in the fixture. This enables the Lusso to withstand higher ambient temperatures and higher drive currents without degrading LED life.

Optical System

- The highest lumen output LEDs are utilized. High-performance acrylic optics feature industry leading Type 1, 2, 3, 3L, 4, 4A, 4L, 5LR, 5LS and 5SR optical distributions. Acrylic optics are impact-resistant and rated to 94 percent translucence.
- L70 life of our LEDs is rated over 100,000 hours (for 1400 mA), The optical system qualifies as IES full cutoff to restrict light trespass, glare and light pollution for neighborhood-friendly lighting.
- CRI values are 70.

New LED Array Technology

- 4 Diodes now replace a single Led chip and operate at 25% of the drive current allowing for higher efficiency, less heat and longer life. (10 Year Warranty)
- More LEDs at a lower drive current provides a more comfortable visual effect.

Quali-Guard® Finish

- Fixture components are chemically pretreated through a multiple-stage washer, and finished with an electrostatically-applied, thermoset polyester powder coat textured paint with a 3 to 5 millimeters thickness. Finish is oven-baked at 400 °F for maximum adherence and finish hardness.
- Available in standard and custom colors.
- Finish is guaranteed for five (5) years.

Arm Mount

Lusso Array contractor-friendly mounting hardware.

Electrical Assembly

- The Lusso Array is supplied with a high-performance driver available in 700, 1050, 1200 and 1400 mA. The driver is integrally-located in the housing, and is operational from 120 V through 480 V, 50 Hz to 60 Hz input.
- Power factor is 90%.
- Rated for -40° to 50°C operation.
- 10 kV surge protector supplied as standard.

Warranty

- Ten (10) year Limited Warranty on electrical components.
 - Five (5) year on finish.
- For full warranty information, please visit visionairelighting.com.

Options

- Photocell & Receptacle
 - Photocell Receptacle with shorting cap
 - 0-10v Dimming Driver
 - WattStopper FSP-211 Motion Sensor
 - Lightly Diffused Lens
 - Highly Diffused Lens
 - Round Pole Plate Adaptor
 - Visionaire Wireless Control
 - Enables high end trim
 - Based on Zigbee wireless communication protocol
- *Please consult factory for detailed custom options.

Listings

- cUL Listed
- IP65 Rated
- Powder Coated Tough™
- IDA Certification



DesignLights Consortium (DLC) qualified Product. Some configurations of this product family may not be DesignLights Consortium (DLC) listed, please refer to the DLC qualified products list to confirm listed configurations. <http://www.designlights.org/>
3000K must be selected for IDA certification.
Fixed mount must be selected for IDA dark sky certification.

ELECTRICAL LOAD (A)							
Ordering Nomenclature	System Watts	120	208	240	277	347	480
LSO-M-T5LS-5L	52	0.43	0.25	0.22	0.19	0.15	0.11
LSO-M-T5LS-10L	67	0.56	0.32	0.28	0.24	0.19	0.14
LSO-M-T5LS-15L	99	0.83	0.48	0.41	0.36	0.29	0.21
LSO-M-T5LS-20L	148	1.23	0.71	0.62	0.53	0.43	0.31
LSO-M-T5LS-25L	200	1.67	0.96	0.83	0.72	0.58	0.42

Motion Sensor Default Setting									
Type	High Mode	Low Mode	Time Delay	Cut off Delay	Sensitivity	Hold Off Setpoint	Photocell On/Off	Ramp Up Time	Fade Down Time
WSC - Default	10V	1V	5 Min	1 Hour	Max	Disabled	Disabled	Disabled	Disabled
WSC Range	0-10V	0-9.8V	5-30 Min	1-5 Hours	Low, Med, Max	1-250FC	1-250FC	1-60 Dec	1-60 Dec

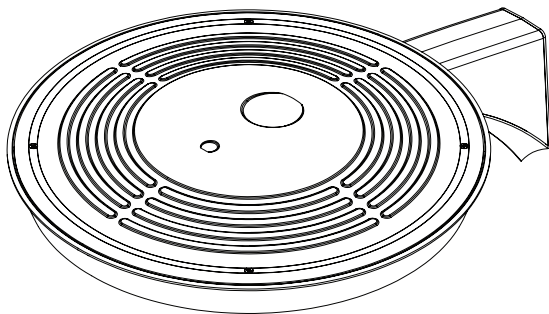
LUSSO ARRAY M-AM LED Specifications

Photometric Optical Summary

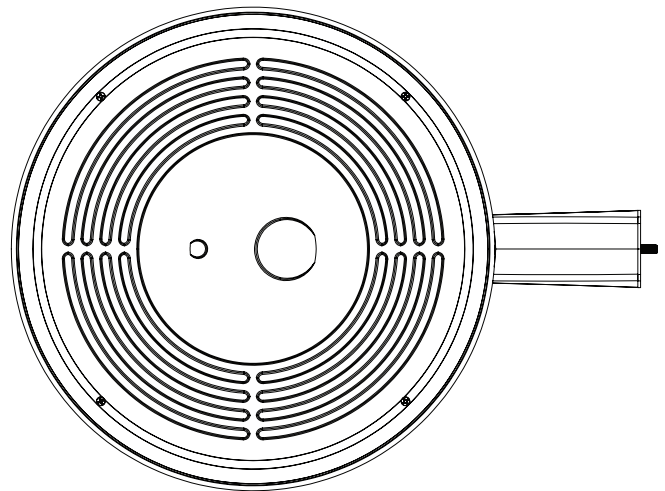
T1 Type 1	T2 Type 2	T3 Type 3	T3L Type 3 Long	T4 Type 4	T4A Type 4 Automotive	T4L Type 4 Long	T5LR Type 5 Long Round	T5LS Type 5 Long Square	T5SR Type 5 Short Round
EPA Data									
		1.0	1.6	2.0	2.5	2.4	2.5		

Dimensions

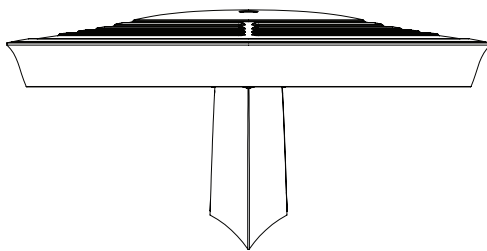
Width:	LSO-M 21"
Depth:	LSO-M 27.5"
Height:	LSO-M 10.25"
Weight:	LSO-M 29 lbs



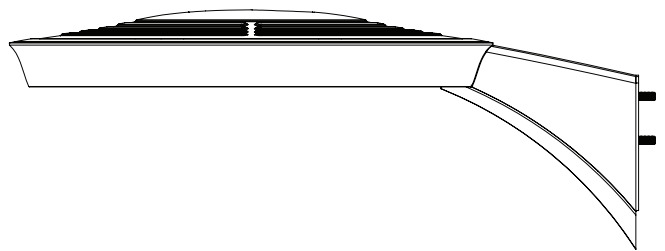
PERSPECTIVE VIEW



TOP VIEW



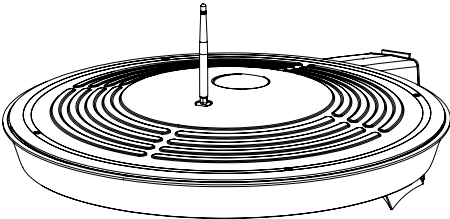
FRONT VIEW



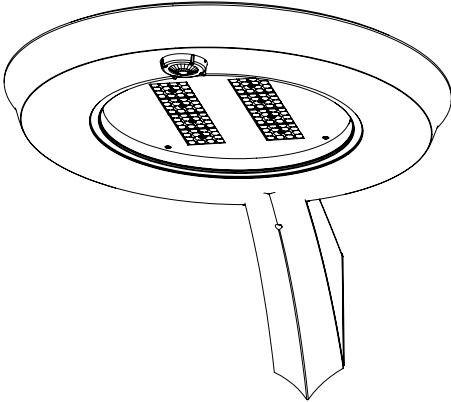
SIDE VIEW

LED Specifications **LUSSO ARRAY M-AM**

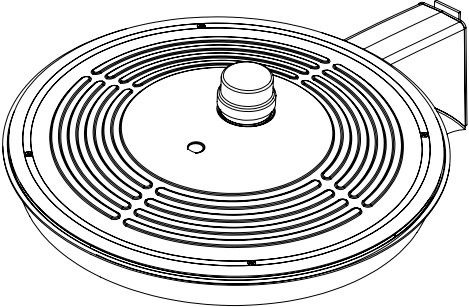
LSO-M-AM Options



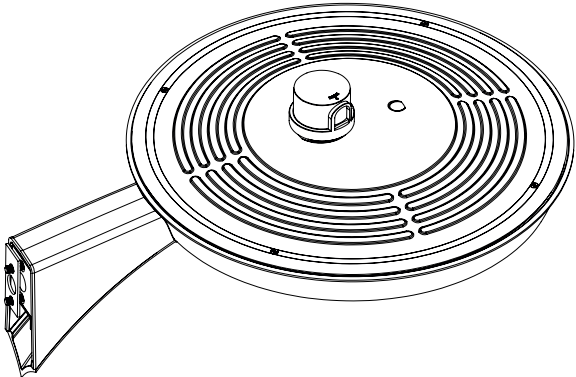
Visionaire Wireless Controls



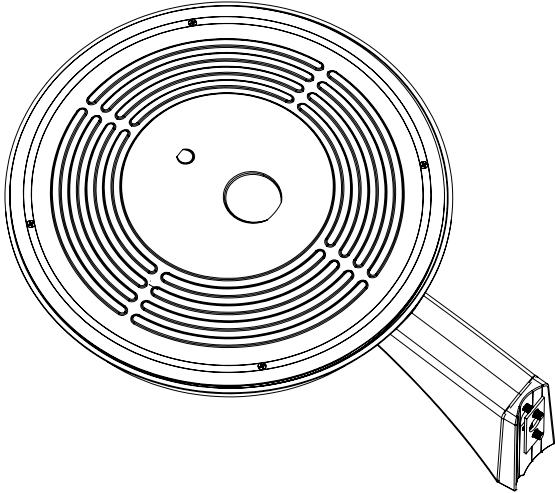
Motion Sensor



3, 5 or 7 Pin Photo Receptacle w/shorting cap



Photocell & Receptacle



Round Pole Plate Adaptor

LUSSO ARRAY M-AM LED Specifications

LUSSO MEDIUM ARM MOUNT - 3K LUMEN DATA											
Lumens	T1	T2	T3	T3L	T4	T4A	T4L	T5LR	T5LS	T5SR	Watts
5L	6877	6860	6815	6647	6680	6966	6636	6686	6854	7028	52
10L	9235	9212	9152	8926	8971	9355	8911	8979	9205	9438	67
15L	13219	13186	13100	12777	12841	13391	12755	12852	13175	13509	99
20L	19686	19638	19510	19029	19125	19943	18997	19141	19622	20120	148
25L	24843	24782	24620	24013	24134	25167	23972	24154	24762	25389	200
LUSSO MEDIUM ARM MOUNT - 4K LUMEN DATA											
5L	7145	7127	7081	6906	6941	7238	6894	6947	7121	7302	52
10L	9595	9571	9509	9274	9321	9720	9258	9329	9563	9806	67
15L	13733	13700	13610	13275	13342	13913	13252	13353	13689	14036	99
20L	20453	20403	20270	19770	19870	20720	19737	19887	20387	20904	148
25L	25811	25747	25579	24948	25074	26147	24906	25095	25726	26378	200
LUSSO MEDIUM ARM MOUNT - 5K LUMEN DATA											
5L	7412	7394	7346	7165	7201	7509	7153	7207	7388	7576	52
10L	9954	9930	9865	9622	9670	10084	9605	9678	9922	10173	67
15L	14248	14214	14121	13772	13842	14434	13749	13854	14202	14562	99
20L	21220	21169	21030	20511	20615	21497	20477	20632	21151	21687	148
25L	26778	26713	26538	25884	26015	27128	25840	26036	26691	27368	200

LED Specifications **LUSO ARRAY M-AM**

LUSO MEDIUM ARM MOUNT - 3K LPW DATA																															
Lumens	T1	T2	T3	T3L	T4	T4A	T4L	T5LR	T5LS	T5SR	Watts																				
5L	132	132	131	128	128	134	127	128	132	135	52																				
10L	137	137	136	133	133	139	132	133	137	140	67																				
15L	134	133	132	129	130	135	129	130	133	136	99																				
20L	133	133	132	128	129	135	128	129	132	136	148																				
25L	125	124	123	120	121	126	120	121	124	127	200																				
LUSO MEDIUM ARM MOUNT - 4K LPW DATA																															
5L	137	137	136	133	133	139	132	133	137	140	52																				
10L	143	142	141	138	139	144	138	139	142	146	67																				
15L	139	138	137	134	135	141	134	135	138	142	99																				
20L	138	138	137	133	134	140	133	134	138	141	148																				
25L	129	129	128	125	126	131	125	126	129	132	200																				
LUSO MEDIUM ARM MOUNT - 5K LPW DATA																															
5L	142	142	141	138	138	144	137	138	142	145	52																				
10L	148	148	147	143	144	150	143	144	147	151	67																				
15L	144	144	143	139	140	146	139	140	143	147	99																				
20L	143	143	142	138	139	145	138	139	143	146	148																				
25L	134	134	133	130	130	136	130	131	134	137	200																				
LUSO MEDIUM ARM MOUNT - 3K BUG DATA																															
Lumens	T1			T2			T3			T3L			T4			T4A			T4L			T5LR			T5LS			T5SR			Watts
	B	U	G	B	U	G	B	U	G	B	U	G	B	U	G	B	U	G	B	U	G	B	U	G	B	U	G				
5L	3	0	3	2	0	2	2	0	2	2	2	2	2	3	2	3	3	1	2	3	2	3	3	3	3	3	1	3	3	3	52
10L	3	0	3	2	0	2	2	0	2	3	2	3	2	3	2	3	3	2	3	3	3	3	3	3	3	2	3	3	3	67	
15L	3	0	3	3	0	3	3	0	3	3	3	3	3	3	3	4	3	2	3	3	3	4	3	4	4	3	2	3	3	99	
20L	4	0	4	3	0	3	3	0	3	3	3	3	3	4	3	4	3	3	3	3	3	4	3	4	4	3	3	4	3	4	148
25L	4	0	4	4	0	4	3	0	3	4	3	4	3	4	3	5	3	3	4	3	4	5	3	5	5	3	3	4	3	4	200
LUSO MEDIUM ARM MOUNT - 4K BUG DATA																															
5L	3	0	3	2	0	2	2	0	2	2	2	2	2	3	2	3	3	1	2	3	2	3	3	3	3	3	1	3	3	3	52
10L	3	0	3	3	0	3	2	0	2	3	2	3	2	3	2	3	3	2	3	3	3	3	3	3	3	2	3	3	3	67	
15L	4	0	4	3	0	3	3	0	3	3	3	3	3	3	3	4	3	2	3	3	3	4	3	4	4	3	2	3	3	99	
20L	4	0	4	3	0	3	3	0	3	3	3	3	3	4	3	4	3	3	4	3	4	4	3	4	4	3	3	4	3	4	148
25L	4	0	4	4	0	4	3	0	3	4	3	4	3	4	3	5	3	3	4	3	4	5	3	5	5	3	3	4	3	4	200
LUSO MEDIUM ARM MOUNT - 5K BUG DATA																															
5L	3	0	3	2	0	2	2	0	2	2	2	2	2	3	2	3	3	2	2	3	2	3	3	3	3	3	1	3	3	3	52
10L	3	0	3	3	0	3	2	0	2	3	2	3	2	3	2	3	3	2	3	3	3	3	3	3	3	3	2	3	3	3	67
15L	4	0	4	3	0	3	3	0	3	3	3	3	3	3	3	4	3	2	3	3	3	4	3	4	4	3	2	3	3	99	
20L	4	0	4	3	0	3	3	0	3	4	3	4	3	4	3	4	3	3	4	3	4	4	3	4	4	3	3	4	3	4	148
25L	5	0	5	4	0	4	4	0	4	4	3	4	3	4	3	5	3	3	4	3	4	5	3	5	5	3	3	4	3	4	200

LUSSO ARRAY M-AM LED Specifications

LUSSO ARRAY M-AM-HS 3K LUMEN CHART													
#LEDs	Current (mA)	K Lumens	T1	T2	T3	T3L	T4	T4A	T4L	T5LR	T5LS	T5SR	Watts
16AR	1050	5L	5826	5898	5664	5477	5375	6322	5046	5232	5326	5624	52
32AR	700	10L	7824	7920	7606	7356	7218	8490	6777	7026	7152	7553	67
32AR	1200	15L	11200	11337	10888	10529	10332	12152	9700	10057	10237	10811	99
48AR	1050	20L	16680	16885	16215	15681	15388	18098	14446	14978	15246	16102	148
48AR	1400	25L	21048	21307	20462	19788	19419	22838	18230	18900	19240	20319	200

LUSSO ARRAY M-AM-HS 4K LUMEN CHART													
#LEDs	Current (mA)	K Lumens	T1	T2	T3	T3L	T4	T4A	T4L	T5LR	T5LS	T5SR	Watts
16AR	1050	5L	6053	6128	5885	5691	5585	6568	5243	5436	5533	5844	52
32AR	700	10L	8129	8229	7903	7642	7500	8820	7041	7300	7431	7847	67
32AR	1200	15L	11636	11779	11312	10939	10735	12625	10078	10448	10636	11233	99
48AR	1050	20L	17330	17542	16847	16292	15988	18803	15009	15561	15840	16729	148
48AR	1400	25L	21868	22137	21259	20559	20175	23728	18940	19637	19989	21110	200

LUSSO ARRAY M-AM-HS 5K LUMEN CHART													
#LEDs	Current (mA)	K Lumens	T1	T2	T3	T3L	T4	T4A	T4L	T5LR	T5LS	T5SR	Watts
16AR	1050	5L	6280	6357	6105	5904	5794	6814	5439	5639	5741	6063	52
32AR	700	10L	8434	8538	8199	7929	7781	9151	7305	7573	7709	8142	67
32AR	1200	15L	12072	12220	11736	11349	11137	13099	10456	10840	11035	11654	99
48AR	1050	20L	17979	18200	17478	16903	16587	19508	15572	16145	16434	17356	148
48AR	1400	25L	22688	22967	22056	21330	20932	24618	19650	20373	20739	21902	200

LUSSO ARRAY M-AM-HS 3K LUMEN PER WATT CHART													
#LEDs	Current (mA)	K Lumens	T1	T2	T3	T3L	T4	T4A	T4L	T5LR	T5LS	T5SR	Watts
16AR	1050	5L	112	113	109	105	103	121	97	100	102	108	52
32AR	700	10L	116	118	113	109	107	126	101	104	106	112	67
32AR	1200	15L	113	115	110	106	104	123	98	102	103	109	99
48AR	1050	20L	113	114	109	106	104	122	97	101	103	109	148
48AR	1400	25L	106	107	103	99	97	114	91	95	96	102	200

LUSSO ARRAY M-AM-HS 4K LUMEN PER WATT CHART													
#LEDs	Current (mA)	K Lumens	T1	T2	T3	T3L	T4	T4A	T4L	T5LR	T5LS	T5SR	Watts
16AR	1050	5L	116	118	113	109	107	126	101	104	106	112	52
32AR	700	10L	121	122	117	114	111	131	105	108	110	117	67
32AR	1200	15L	118	119	114	110	108	128	102	106	107	113	99
48AR	1050	20L	117	118	114	110	108	127	101	105	107	113	148
48AR	1400	25L	110	111	107	103	101	119	95	98	100	106	200

LUSSO ARRAY M-AM-HS 5K LUMEN PER WATT CHART													
#LEDs	Current (mA)	K Lumens	T1	T2	T3	T3L	T4	T4A	T4L	T5LR	T5LS	T5SR	Watts
16AR	1050	5L	121	122	117	113	111	131	104	108	110	116	52
32AR	700	10L	125	127	122	118	116	136	109	113	115	121	67
32AR	1200	15L	122	123	119	115	112	132	106	109	111	118	99
48AR	1050	20L	121	123	118	114	112	132	105	109	111	117	148
48AR	1400	25L	114	115	111	107	105	123	98	102	104	110	200



LED Specifications **LUSSO ARRAY M-AM**

LUSSO ARRAY M-AM-HS 3K BUG CHART																																							
#LEDs	Current (mA)	K Lumens	T1			T2			T3			T3L			T4			T4A			T4L			T5LR			T5LS			T5SR			Watts						
			B	U	G	B	U	G	B	U	G	B	U	G	B	U	G	B	U	G	B	U	G	B	U	G	B	U	G	B	U	G							
16AR	1050	5L	2	0	1	1	0	1	1	0	1	1	0	2	2	0	1	2	0	1	1	0	2	2	0	2	2	0	2	2	0	1	2	0	1	2	0	1	52
32AR	700	10L	2	0	1	2	0	1	2	0	2	2	0	2	2	0	2	2	0	1	2	0	2	2	0	1	2	0	2	2	0	2	2	0	1	2	0	1	67
32AR	1200	15L	3	0	2	2	0	2	2	0	2	2	0	3	2	0	2	2	0	2	2	0	2	2	0	2	3	0	3	2	0	2	3	0	2	3	0	2	99
48AR	1050	20L	3	0	2	3	0	2	3	0	2	3	0	3	3	0	3	3	0	2	2	0	3	2	0	2	3	0	3	3	0	3	3	0	2	3	0	2	148
48AR	1400	25L	4	0	3	3	0	2	3	0	3	3	0	4	3	0	3	3	0	2	3	0	3	3	0	3	3	0	3	3	0	3	3	0	3	3	0	3	200
LUSSO ARRAY M-AM-HS 4K BUG CHART																																							
#LEDs	Current (mA)	K Lumens	T1			T2			T3			T3L			T4			T4A			T4L			T5LR			T5LS			T5SR			Watts						
			B	U	G	B	U	G	B	U	G	B	U	G	B	U	G	B	U	G	B	U	G	B	U	G	B	U	G	B	U	G							
16AR	1050	5L	2	0	1	1	0	1	1	0	1	1	0	2	2	0	1	2	0	1	1	0	2	3	0	3	2	0	1	2	0	1	2	0	1	2	0	1	52
32AR	700	10L	2	0	2	2	0	1	2	0	2	2	0	2	2	0	2	2	0	1	2	0	2	2	0	2	2	0	2	2	0	2	2	0	2	2	0	1	67
32AR	1200	15L	3	0	2	2	0	2	2	0	2	2	0	3	3	0	2	3	0	2	2	0	2	3	0	3	2	0	2	3	0	2	3	0	2	3	0	2	99
48AR	1050	20L	3	0	3	3	0	2	3	0	2	3	0	3	3	0	3	3	0	2	3	0	3	2	0	2	3	0	3	3	0	3	3	0	2	3	0	2	148
48AR	1400	25L	4	0	3	3	0	2	3	0	3	3	0	4	3	0	3	3	0	2	3	0	3	2	0	1	3	0	3	4	0	3	4	0	3	4	0	3	200
LUSSO ARRAY M-AM-HS 5K BUG CHART																																							
#LEDs	Current (mA)	K Lumens	T1			T2			T3			T3L			T4			T4A			T4L			T5LR			T5LS			T5SR			Watts						
			B	U	G	B	U	G	B	U	G	B	U	G	B	U	G	B	U	G	B	U	G	B	U	G	B	U	G	B	U	G							
16AR	1050	5L	2	0	1	2	0	1	1	0	1	1	0	2	2	0	2	2	0	1	1	0	2	3	0	3	2	0	1	2	0	1	2	0	1	2	0	1	52
32AR	700	10L	2	0	2	2	0	1	2	0	2	2	0	2	2	0	2	2	0	1	2	0	2	2	0	2	2	0	2	2	0	2	2	0	2	2	0	1	67
32AR	1200	15L	3	0	2	2	0	2	2	0	2	2	0	3	3	0	2	3	0	2	2	0	2	2	0	2	2	0	1	2	0	2	3	0	2	3	0	2	99
48AR	1050	20L	3	0	3	3	0	2	3	0	2	3	0	3	3	0	3	3	0	2	3	0	3	3	0	3	3	0	3	3	0	3	3	0	2	3	0	2	148
48AR	1400	25L	4	0	3	3	0	3	3	0	3	3	0	4	3	0	3	3	0	2	3	0	3	2	0	2	3	0	3	4	0	3	4	0	3	4	0	3	200