



POLES BASES & BRACKETS



VISIONAIRE LIGHTING

Performance In A Whole New Light

POLES

Style Meets Functionality

Visionaire Lighting's full line of steel and aluminum poles combine with our two-piece cast aluminum decorative bases. All are available in a broad array of polyester powder coat finishes; from standard to a full range of custom colors for perfectly color-matched assemblies with a professional look and feel.

Features and Benefits

All our decorative bases are two-piece assemblies which attach around the selected pole; allowing use of the standard pole bases for strength, reliability, and EPA rating. Round, round tapered, steel, aluminum, and fluted round aluminum poles may be used with the two-piece decorative bases.

Applications

Visionaire Lighting poles and bases are perfect for all area, roadway, pedestrian and off-the grid lighting applications because they combine the latest in technology with precision-engineered manufacturing to provide years of maintenance-free use.



SNTS



RNTS



SNTA



RNTA / RNTFA



RTSP



RTAP

Pole & Base Capabilities



Visionaire Lighting has over 15 years experience in the lighting industry, manufacturing and supplying lighting poles and bases for a broad range of applications. From roadway and parking lots to automotive dealerships and pathways, our products are meeting the continually changing needs of our customers.

Visionaire Lighting is one of the world's leading specialist in Out-Door lighting, from design, through to manufacture, supply, installation and maintenance. With knowledge and expertise from our team of qualified engineers, Visionaire Lighting offers its range of poles and bases and brackets as part of a range of fully fitted installation-ready products.

The pole and base range is designed to cover all our customer needs, including mounting brackets for specialty applications.





Pole & Base Capabilities

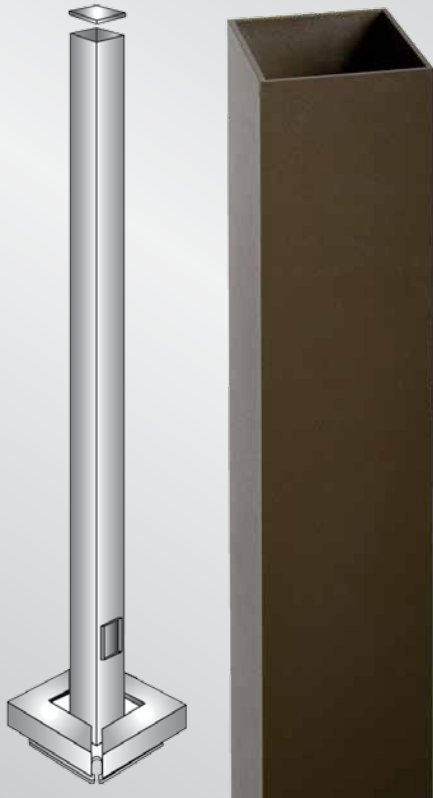


Visionaire Lighting manufactures and supplies a wide range of standard poles in tubular and conical styles, in a choice of steel or aluminium. We also offer a variety of brackets designed to accommodate most standard luminaires, as well as a custom service, tailoring poles, bases and brackets to specific requirements for your project.

You can also enhance the appearance and longevity of your products with a wide range of paint finishes and surface protections. With our continued development of new products, growth in the design and engineering department; and investment in a world class manufacturing facility; we have sustained our position as a world class provider of lighting solutions. Visionaire Lighting provides an expert one-stop service from design to manufacturing and every stop along the way.

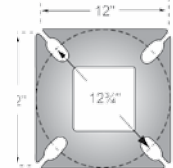
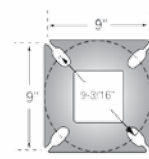


Square Non Tapered Steel Pole



Specifications

Shaft Size: 4-6"
 Gauge: 11-7
 Height: 10-35'
 Base: 9" or 12"
 Bolt Circle: 9 3/16" or 12 3/4" +/- 1"
 Mounting: Side Mount or Tenon
 Finishes: Bronze, Black, White, Green
 Grey, Silver Metallic
 Custom Color, Galvanized
 Options: GFI Receptacle, Coupling,
 Custom Bolt Circle,
 Rust-Inhibiting Internal Coating
 & Primer, Direct Burial Coupling
 Hand Hole



Pole EPA for Square Non Tapered Steel Poles

Pole Height	Maximum Allowable EPA (ft ²) with 1.3 gust factor							O.D.	Pole Gauge	Base Plate	Bolt Circle	Anchor Bolts
	80 mph	90 mph	100 mph	110 mph	120 mph	130 mph	140 mph					
10'	30.1	23.5	18.4	11.0	10.3	7.6	6.1	4"	11	9"sq x 3/4"	9"	3/4" x 30"
12'	23.0	17.4	13.7	8.5	7.4	5.7	4.4	4"	11	9"sq x 3/4"	9"	3/4" x 30"
14'	18.6	13.9	10.6	6.6	5.7	4.3	3.1	4"	11	9"sq x 3/4"	9"	3/4" x 30"
16'	15.0	10.9	10.1	4.8	3.9	3.1	1.9	4"	11	9"sq x 3/4"	9"	3/4" x 30"
18'	11.7	8.4	6.0	3.4	2.8	1.9	-	4"	11	9"sq x 3/4"	9"	3/4" x 30"
20'	9.3	6.4	4.3	2.4	1.7	1.3	-	4"	11	9"sq x 3/4"	9"	3/4" x 30"
20'	15.8	10.9	8.2	5.0	4.2	3.1	2.0	4"	7	9"sq x 3/4"	9"	3/4" x 30"
20'	17.1	12.3	8.9	5.0	4.1	3.0	1.4	5"	11	12"sq x 1"	12"	1" x 36"
20'	27.4	22.1	16.7	13.2	8.3	6.0	3.9	5"	7	12"sq x 1"	12"	1" x 36"
22'	6.3	3.7	1.9	1.3	-	-	-	4"	11	12"sq x 1"	12"	1" x 36"
22'	11.8	8.0	5.4	3.5	2.3	2.0	-	4"	7	12"sq x 1"	12"	1" x 36"
22'	12.6	8.4	5.4	3.2	1.9	1.6	-	5"	11	12"sq x 1"	12"	1" x 36"
22'	21.4	15.4	11.1	6.9	5.0	4.3	2.3	5"	7	12"sq x 1"	12"	1" x 36"
25'	5.0	2.9	1.3	-	-	-	-	4"	11	12"sq x 1"	12"	1" x 36"
25'	10.9	7.4	5.2	2.1	1.3	1.0	-	4"	7	12"sq x 1"	12"	1" x 36"
25'	10.2	6.6	4.0	1.6	-	-	-	5"	11	12"sq x 1"	12"	1" x 36"
25'	18.8	13.0	9.5	4.8	3.7	2.7	-	5"	7	12"sq x 1"	12"	1" x 36"
28'	5.6	3.1	1.4	1.1	-	-	-	4"	7	12"sq x 1"	12"	1" x 36"
28'	5.5	3.0	1.3	-	-	-	-	5"	11	12"sq x 1"	12"	1" x 36"
28'	12.0	7.6	4.4	2.8	1.3	1.1	-	5"	7	12"sq x 1"	12"	1" x 36"
28'	20.9	14.1	9.4	5.7	3.6	3.1	-	6"	7	12"sq x 1"	12"	1" x 36"
30'	5.0	2.2	-	-	-	-	-	5"	11	12"sq x 1"	12"	1" x 36"
30'	11.4	6.8	4.0	1.7	-	-	-	5"	7	12"sq x 1"	12"	1" x 36"
30'	18.9	12.8	8.4	4.3	3.0	1.9	-	6"	7	12"sq x 1"	12"	1" x 36"
35'	6.7	2.3	1.8	-	-	-	-	5"	7	12"sq x 1"	12"	1" x 36"
35'	12.1	7.0	3.8	-	-	-	-	6"	7	12"sq x 1"	12"	1" x 36"

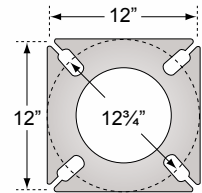
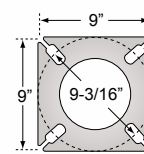
For more detailed information on mounting, wiring or installation instructions, please consult factory. If poles are not ordered with fixtures, please specify mounting requirements. This document contains proprietary information of Visionaire Lighting, LLC. Any use of this information requires the written approval of Visionaire Lighting, LLC. In keeping with our TOM policy of continuous improvement, Visionaire reserves the right to change any specifications contained herein without prior notice.

Round Non Tapered Steel Pole

Specifications



Shaft Size: 4-6"
 Gauge: 11-7
 Height: 10-35'
 Base: 9" or 12"
 Bolt Circle: 9 3/16" or 12 3/4" +/- 1"
 Mounting: Side Mount or Tenon
 Finishes: Bronze, Black, White, Green
 Grey, Silver Metallic
 Custom Color, Galvanized
 Options: GFI Receptacle, Coupling,
 Custom Bolt Circle,
 Rust-Inhibiting Internal Coating
 & Primer, Direct Burial Coupling
 Hand Hole



Pole EPA for Round Non-Tapered Steel Poles

Pole Height	Maximum Allowable EPA (ft ²) with 1.3 gust factor							O.D.	Pole Gauge	Base Plate	Bolt Circle	Anchor Bolts
	80 mph	90 mph	100 mph	110 mph	120 mph	130 mph	140 mph					
10'	17.5	13.4	10.7	8.6	7.0	5.9	4.7	4"	11	9"sq x 3/4"	9"	3/4" x 30"
12'	14.0	10.7	8.3	6.7	5.3	4.5	3.4	4"	11	9"sq x 3/4"	9"	3/4" x 30"
14'	11.5	8.7	6.7	5.2	4.0	3.4	2.4	4"	11	9"sq x 3/4"	9"	3/4" x 30"
16'	9.0	6.6	5.0	3.7	2.8	2.4	1.5	4"	11	9"sq x 3/4"	9"	3/4" x 30"
18'	7.3	5.2	3.8	2.7	1.8	1.5	-	4"	11	9"sq x 3/4"	9"	3/4" x 30"
20'	6.1	4.2	2.9	1.9	1.2	1.0	-	4"	11	9"sq x 3/4"	9"	3/4" x 30"
20'	9.9	7.2	5.3	3.9	2.8	2.4	1.6	4"	7	9"sq x 3/4"	9"	3/4" x 30"
20'	10.6	7.5	5.5	3.9	2.7	2.3	1.1	5"	11	12"sq x 1"	12"	1" x 36"
20'	16.8	13.2	9.5	7.2	5.5	4.6	3.1	5"	7	12"sq x 1"	12"	1" x 36"
22'	4.6	3.0	1.8	1.0	-	-	-	4"	11	12"sq x 1"	12"	1" x 36"
22'	7.9	5.6	4.0	2.7	1.8	1.5	-	4"	7	12"sq x 1"	12"	1" x 36"
22'	8.2	5.7	3.9	2.5	1.5	1.3	-	5"	11	12"sq x 1"	12"	1" x 36"
22'	13.6	9.9	7.4	5.4	3.9	3.3	1.8	5"	7	12"sq x 1"	12"	1" x 36"
25'	3.2	1.8	-	-	-	-	-	4"	11	12"sq x 1"	12"	1" x 36"
25'	6.2	4.1	2.7	1.7	-	-	-	4"	7	12"sq x 1"	12"	1" x 36"
25'	6.3	4.0	2.5	1.2	-	-	-	5"	11	12"sq x 1"	12"	1" x 36"
25'	11.0	7.7	5.5	3.7	2.5	2.1	-	5"	7	12"sq x 1"	12"	1" x 36"
28'	4.4	2.4	1.1	-	-	-	-	4"	7	12"sq x 1"	12"	1" x 36"
28'	4.3	2.3	1.0	-	-	-	-	5"	11	12"sq x 1"	12"	1" x 36"
28'	8.4	5.6	3.6	2.2	1.0	0.9	-	5"	7	12"sq x 1"	12"	1" x 36"
28'	7.6	4.7	2.7	1.2	-	-	-	6"	11	12"sq x 1"	12"	1" x 36"
28'	13.7	9.6	6.6	4.5	2.8	2.4	-	6"	7	12"sq x 1"	12"	1" x 36"
30'	3.3	1.5	-	-	-	-	-	5"	11	12"sq x 1"	12"	1" x 36"
30'	7.2	4.6	2.8	1.3	-	-	-	5"	7	12"sq x 1"	12"	1" x 36"
30'	6.3	3.7	1.7	-	-	-	-	6"	11	12"sq x 1"	12"	1" x 36"
30'	12.0	8.2	5.5	3.3	1.8	1.5	-	6"	7	12"sq x 1"	12"	1" x 36"
35'	4.2	2.1	-	-	-	-	-	5"	7	12"sq x 1"	12"	1" x 36"
35'	7.8	4.7	2.4	-	-	-	-	6"	7	12"sq x 1"	12"	1" x 36"

Square Non Tapered Aluminum



Specifications

Shaft Size: 4-5"
 Wall: .125 - .250
 Height: 10-20'
 Base: 9" or 12"
 Bolt Circle: 9 3/4" or 11 1/4" +/- 1"
 Mounting: Side Mount or Tenon
 Finishes: Bronze, Black, White, Green
 Grey, Silver Metallic
 Custom Color, Anodized
 Options: GFI Receptacle, Coupling,
 Custom Bolt Circle, Internal
 Coating & Primer, Direct Burial
 Coupling, Hand Hole

Pole EPA for Square Non-Tapered Aluminum Poles

Pole Height	Maximum Allowable EPA (ft ²) with 1.3 gust factor						Outside Dimension	Pole Thickness	Base Plate	Bolts Circle	Anchor Bolts
	70 mph	80 mph	90 mph	100 mph	110 mph	120 mph					
10'	16.6	12.5	9.6	7.5	6.0	4.8	4"	0.125"	9.88" sq	9"	3/4" x 30"
12'	13.2	10.0	7.5	5.7	4.5	3.5	4"	0.125"	9.88" sq	9"	3/4" x 30"
14'	11.1	8.0	6.0	4.4	3.3	2.5	4"	0.125"	9.88" sq	9"	3/4" x 30"
14'	27.5	20.4	15.6	12.2	9.7	7.7	5"	0.188"	11 1/4" sq	11"	3/4" x 30"
16'	14.1	10.3	7.7	5.8	4.4	3.3	4"	0.188"	9.88" sq	9"	3/4" x 30"
16'	23.5	17.3	13.1	10.0	8.2	6.1	5"	0.188"	11 1/4" sq	11"	3/4" x 30"
18'	12.1	8.6	6.3	4.6	3.3	1.9	4"	0.188"	9.88" sq	9"	3/4" x 30"
18'	20.2	14.7	11.0	8.3	6.3	4.8	5"	0.188"	11 1/4" sq	11"	3/4" x 30"
20'	10.3	7.2	5.1	3.7	2.5	1.7	4"	0.188"	9.88" sq	9"	3/4" x 30"
20'	17.5	12.6	9.2	6.7	4.9	3.6	5"	0.188"	11 1/4" sq	11"	3/4" x 30"

Round Non Tapered Aluminum

Specifications

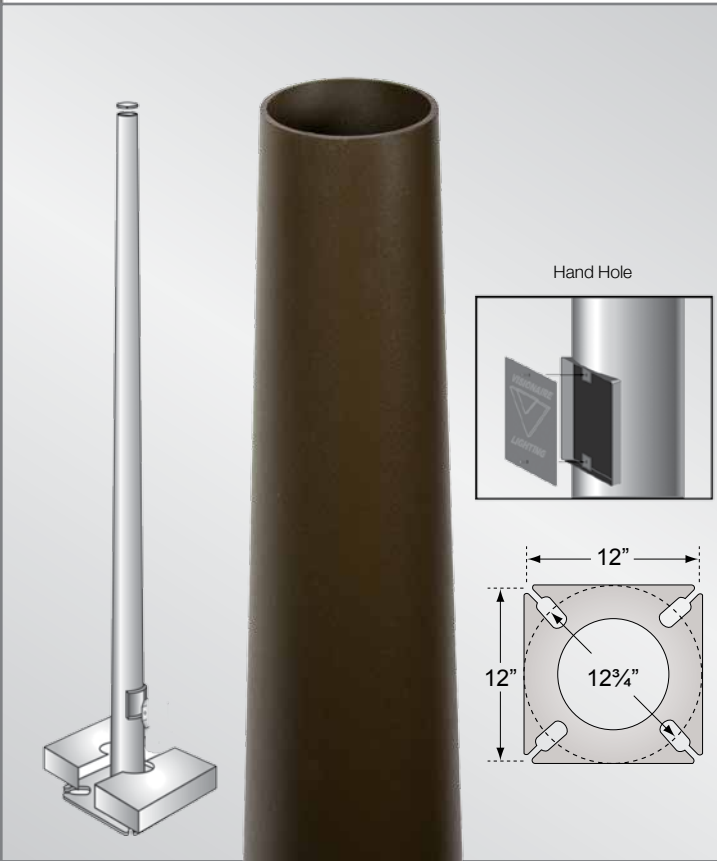


Shaft Size: 4-5"
 Wall: .125 - .250
 Height: 10-20'
 Base: 9" or 12"
 Bolt Circle: 9 3/4" or 11 1/4" +/- 1"
 Mounting: Side Mount or Tenon
 Finishes: Bronze, Black, White, Green
 Grey, Silver Metallic
 Custom Color, Anodized
 Options: GFI Receptacle, Coupling,
 Custom Bolt Circle, Internal
 Coating & Primer, Direct Burial
 Coupling, Hand Hole

Pole EPA for Round Non-Tapered Aluminum Poles

Pole Height	Maximum Allowable EPA (ft ²) with 1.3 gust factor						Outside Dimension	Pole Thickness	Base Plate	Bolts Circle	Anchor Bolts
	70 mph	80 mph	90 mph	100 mph	110 mph	120 mph					
10'	13.9	10.2	7.8	6.0	4.8	3.2	4"	0.125"	9.62 dia. x 1.88	6 3/4"	3/4" x 30"
12'	11.1	8.1	6.0	4.5	3.5	2.6	4"	0.125"	9.62 dia. x 1.88	6 3/4"	3/4" x 30"
12'	16.2	11.6	8.7	6.5	5.7	4.5	4"	0.188"	9.62 dia. x 1.88	6 3/4"	3/4" x 30"
14'	13.6	10.0	7.5	5.7	4.3	3.3	5"	0.188"	10.62 dia. x 1.88	7 3/4"	3/4" x 30"
16'	11.4	8.3	6.0	4.4	3.2	2.4	4"	0.188"	9.62 dia. x 1.88	6 3/4"	3/4" x 30"
16'	18.9	13.9	10.4	7.8	6.0	4.6	5"	0.188"	10.62 dia. x 1.88	7 3/4"	3/4" x 30"
18'	9.6	6.8	4.9	3.4	2.4	1.6	4"	0.188"	9.62 dia. x 1.88	6 3/4"	3/4" x 30"
18'	16.2	11.6	8.5	6.3	4.6	3.4	5"	0.188"	10.62 dia. x 1.88	7 3/4"	3/4" x 30"
20'	8.2	5.5	3.8	2.6	1.6	0.9	4"	0.188"	9.62 dia. x 1.88	6 3/4"	3/4" x 30"
20'	13.9	9.8	7.0	4.9	3.5	2.4	5"	0.188"	10.62 dia. x 1.88	7 3/4"	3/4" x 30"

Round Tapered Steel Pole



Specifications

Gauge: 11-7
 Height: 20-39'
 Base: 12"
 Bolt Circle: 12 3/4" +/- 1"
 Mounting: Side Mount or Tenon
 Finishes: Bronze, Black, White, Green
 Grey, Silver Metallic
 Custom Color, Galvanized
 Options: GFI Receptacle, Coupling,
 Custom Bolt Circle,
 Rust-Inhibiting Internal Coating
 & Primer, Direct Burial Coupling
 Hand Hole

Pole EPA for Round Tapered Steel Poles

Pole Height	Maximum Allowable EPA (ft ²) with 1.3 gust factor									Base Diameter	Pole Gauge	Bolt Circle	Anchor Bolt Size	Pole Weight
	90 mph	100 mph	110 mph	120 mph	130 mph	140 mph	150 mph	160 mph	170 mph					
20'	20.6	15.8	14.5	16.7	13.3	11.0	9.1	7.6	6.3	6 5/8"	11	12 3/4"	1" x 36"	144
20'	32.2	25.2	23.2	26.0	20.9	17.7	14.9	12.7	10.8	6 5/8"	7	12 3/4"	1" x 36"	192
25'	20.3	15.3	13.9	14.4	11.0	8.9	7.1	5.6	4.3	7 1/8"	11	12 3/4"	1" x 36"	209
25'	32.7	25.3	23.2	23.4	18.6	15.2	12.7	10.5	8.7	7 1/8"	7	12 3/4"	1" x 36"	284
30'	16.3	11.7	10.4	11.9	8.8	6.7	5.0	3.6	2.4	7 3/4"	11	12 3/4"	1" x 36"	255
30'	31.3	23.9	21.8	20.5	16.0	12.8	10.3	8.3	6.6	7 3/4"	7	12 3/4"	1" x 36"	374
35'	14.8	10.2	8.9	10.0	6.9	4.7	3.0	1.7	N/A	8 3/8"	11	12 3/4"	1" x 36"	315
35'	30.0	22.5	20.4	18.5	14.3	11.2	8.7	6.6	4.6	8 3/8"	7	12 3/4"	1" x 36"	420
39'	15.5	10.4	9.0	8.7	5.7	3.6	1.8	N/A	N/A	9 1/8"	11	12 3/4"	1" x 36"	359
39'	32.2	24.0	21.7	17.5	13.2	10.0	7.4	5.2	3.4	9 1/8"	7	12 3/4"	1" x 36"	510

Round Tapered Aluminum Pole

Specifications



Guage: .125 - .250

Height: 20-35'

Base: 9" or 12"

Bolt Circle: 9 3/16" or 12 3/4" +/- 1"

Mounting: Side Mount or Tenon

Finishes: Bronze, Black, White, Green
Grey, Silver Metallic

Options: Custom Color, Anodized

GFI Receptacle, Coupling,

Custom Bolt Circle,

Internal Coating & Primer,

Direct Burial Coupling

Hand Hole

Estimated Pole EPAs for Round Tapered Aluminum Poles

Pole Height	Maximum Allowable EPA (ft ²) with 1.3 gust factor			
	80 mph	90 mph	100 mph	110 mph
20'	6.6	4.9	3.7	2.9
20'	12.0	9.2	7.2	5.8
20'	18.5	14.3	11.4	9.2
20'	26.1	20.3	16.3	13.3
25'	7.1	5.2	3.9	3.0
25'	11.8	9.0	7.0	5.6
25'	17.7	13.7	10.8	8.7
25'	25.1	19.5	15.5	12.6
30'	7.4	5.4	4.0	3.1
30'	11.9	9.0	6.9	5.5
35'	17.8	13.6	10.7	8.6
35'	17.3	13.2	10.4	8.2

Decorative Base Covers

Style Meets Functionality

Visionaire Lighting's full line of steel and aluminum poles combine with our two-piece cast aluminum decorative bases. All are available in a broad array of polyester powder coat finishes; from standard to a full range of custom colors for perfectly color-matched assemblies with a professional look and feel.

Features and Benefits

All our decorative bases are two-piece assemblies which attach around the selected pole; allowing use of the standard pole bases for strength, reliability, and EPA rating. Round, round tapered, steel and aluminum poles and fluted round aluminum poles may be used with the two-piece decorative bases.

Applications

Visionaire Lighting poles and bases are perfect for all area, roadway, pedestrian and off-the-grid lighting applications because they combine the latest in technology with precision-engineered manufacturing to provide years of maintenance-free use.





DCB-12



DCB-14



DCB-17



DCB-20



DCB-21



Mounting Brackets & Arms

Accessories

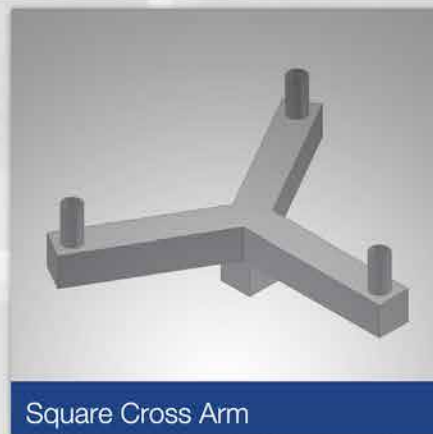
Visionaire Lighting's full line of steel and aluminum brackets and mounting arms combine with our two-piece cast aluminum decorative bases and poles. All are available in a broad array of polyester powder coat finishes; from standard to a full range of custom colors for perfectly color-matched assemblies with a professional look and feel.

Features and Benefits

Steel and aluminum brackets and mounting arms of all varieties, are available in standard configurations and custom designs to meet any application needs. Designed to complement a broad range of fixtures and allowing for most all mounting requirements.

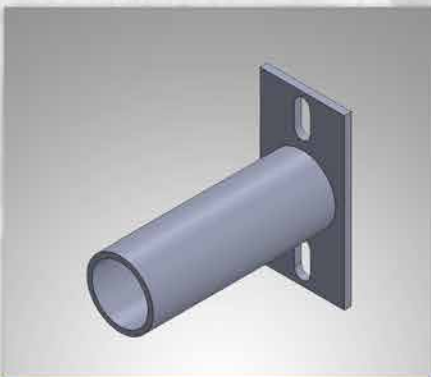
Applications

Visionaire Lighting poles, bases and brackets are perfect for all area, roadway, pedestrian and off-the grid lighting applications because they combine the latest in technology with precision-engineered manufacturing to provide years of maintenance-free use.





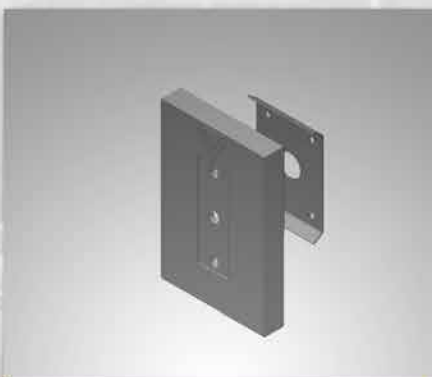
Davit Arm



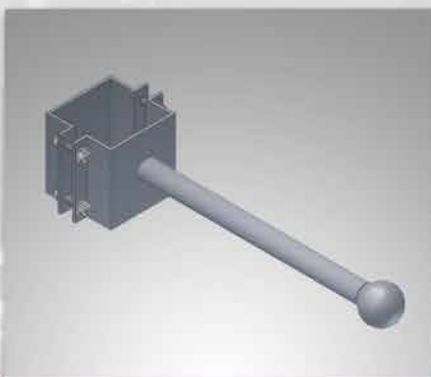
Universal Mast Arm Fitter



Tennis Court Mounting Arm



Wall Mount Bracket



Banner Arm



Mounting Arm



19645 Rancho Way . Rancho Dominguez, CA 90220
310.512.6480
www.VisionaireLighting.com