

VLX-1 LED Specifications

Area - Site - Commercial - Outdoor



Arm Mount (AM) Version Shown.

The VLX LED Series offers clean, functional styling that is defined by its sleek low profile design and rugged construction. It combines LED performance and advanced LED thermal management technology and provides outdoor lighting that is both energy efficient and aesthetically pleasing.

The LED's performance and the driver's life are maximized by enclosing them in two separate die cast aluminum housings. Easy tool-less access for mounting and maintenance.

The LED light assemblies come with 96 to 192 LEDs. Available with 17 IES distribution patterns.

- CRI values are 70, 80 or 90.
- CCT values are 2700K, 3000K, 3500K, 4000K, 5000K

The VLX Series offers an impressive output of up to 87,000 lumens with a wattage package reaching up to 629 watts, delivering an average efficiency of 143 lumens per watt. With integrated controls, the VLX ensures optimal lighting coverage while minimizing energy consumption.

A durable polyester powder coat finish is guaranteed for five years; and is available in standard or custom colors.

The VLX LED series is an exceptional choice for commercial parking lots, office complexes, architectural projects, and other general lighting projects.

Project Name:

Catalog Number:

Type:

Date:

Location:

Visionaire Lighting products are engineered with field serviceability and environmental responsibility at the core, giving customers a smarter, longer-lasting lighting solution. Designed for efficient maintenance and simplified access to key components, our fixtures help reduce downtime, extend product life, and make in-field updates or repairs faster and more cost-effective.



| MODEL | OPTICS | | LEDs | CURRENT | CCT |
|--------------|--|---------------------------|--------------|--|---|
| VLX-1 | T1 Type 1 | T5 Type 5 | 96LD | 3 350mA | 27K7 27K8 27K9 2700K 70, 80, & 90 CRI |
| | T2 Type 2 | T5W Type 5 Wide | 128LD | 5 530mA | 30K7 30K8 30K9 3000K 70, 80, & 90 CRI |
| | T3 Type 3 | T5WW Type 5 | 160LD | 7 700mA | 35K7 35K8 35K9 3500K 70, 80, & 90 CRI |
| | T3R Type 3 Round | Extra Wide | 192LD | 10 1050mA | 40K7 40K8 40K9 4000K 70, 80, & 90 CRI |
| | T3W Type 3 Wide | Type 5 Low Glare | | *Not available with Z10, Z18, VWC, DTO 7PINPER | 50K7 50K8 50K9 5000K 70, 80, & 90 CRI |
| | T3LG Type 3 Low Glare | FN Flood Narrow | | | |
| | T4 Type 4 | FM Flood Medium | | | |
| | T4A Type 4 | FW Flood Wide | | | |
| | Automotive | | | | |
| | T4FT Type 4 Forward Throw | | | | |
| | T4LG Type 4 Low Glare | | | | |

| VOLTAGE | MOUNTING | FINISH | CONTROL OPTIONS | SHIELD OPTIONS | OPTIONS |
|------------------------|--|--|---|--|---|
| UNV 120-277V | AM Arm Mount | BZ Bronze | PCR-120 PCR-208 PCR-240 PCR-277 PCR-347 PCR-480 Photocell & Receptacle | CLS Backside cutoff shield | RPP-3" RPP-4" RPP-5" Round Pole Plate Adapter |
| 8 347V | Round Pole Plate Adaptors (RPP) are to be ordered separately. | BK Black | 7PINPER 7 Pin Photo Receptacle w/shorting cap Requires Dimming Driver | RCLS Rightside cutoff shield | UPMA-S Universal Square Pole Mount Adapter |
| 5 480V | WM Wall Mount *Requires BAWP | SBK Smooth Black | DIM 0-10v Dimming Driver | LCLS Leftside cutoff shield | UPMA-R Universal Round Pole Mount Adapter |
| | BAWP to be ordered separately. | WH White | DTO Dim to Off Driver | BHS House shield | BAWP Cast Wall Plate |
| | | SWH Smooth White | DALI DALI 2 Driver | | ROT-R Rotated Optics Right Side |
| | | GP Graphite | WSP6-L2 WSP6-L3 WSP6-L7 8' 9-20' 21-40' Mounting Mounting Mounting Height Height Height | | ROT-L Rotated Optics Left Side |
| | | GY Grey | WSC-8 WSC-20 WSC-40 8' 9-20' 21-40' Mounting Mounting Mounting Height Height Height | | BBG Bird Spikes |
| | | SL Silver Metallic | *The WSC option will require (1) FSIR 100 remote for programing | | BAA Buy America(n) Act Compliant |
| | | ZFP Zinc-Free Primer Coat | Z10 or Z18 Zhaga 4 Pin Receptacle | | |
| | | CC Custom Color | VWC Visionaire Wireless Control | | |

Heatsink

Die-cast aluminum heatsink with integral cooling fins provides superior thermal management and long-term performance.

Mounting Arm / Driver Compartment

Durable two-piece die-cast aluminum driver compartment features a tool-less, push-button latch for fast and easy maintenance.

- Sealed with a one-piece silicone gasket for maximum protection against the elements.
- Meets ANSI C136.31-2010, 1.5G Vibration Standards.

Thermal Management

The VLX Series delivers exceptional thermal performance by mounting the LED arrays directly to the substantial cast-aluminum heatsink, allowing operation in higher ambient temperatures and at elevated drive currents without compromising LED life.

- L70 Lifetime: The VLX Series LEDs are rated at 90,000+ hours at 25°C when driven at 350 mA, based on industry-standard L70 testing (70% of initial lumen output).

Optical System

High-output LEDs ensure maximum delivered lumens and system efficiency.

- Available with 17 precision IES distribution patterns.
- LED engines available in multiples of 32 LEDs.
- CRI Options: 70, 80, or 90.
- CCT Options: 2700K, 3000K, 3500K, 4000K, 5000K.

Quali-Guard® Finish

Textured, chemically pre-treated surface using a multi-stage wash process. Electrostatic application of a thermoset polyester powder-coat, 3-5 mils minimum thickness, oven-baked at 400°F for superior adhesion and durability.

- Available in all standard and custom colors.
- Optional Zinc-Free Primer: Recommended for installations within three miles of the ocean.
- Finish guaranteed for five (5) years.

Electrical Assembly

The VLX Series is supplied with a choice of 350, 530, 700, or 1050mA high-performance LED drivers, that accept 120v thru 480v, 50 Hz to 60 Hz, input.

- Rated for -40 °C to +55 °C operations.
- Power factor of 90%.
- THD less than or equal to 20%
- 10 kV surge protector supplied as standard.
- 0-10v Dimming Driver supplied as standard.
- Terminal block supplied as standard.

Warranty

Five (5) year Limited Warranty on entire system, including finish. For full warranty information, please visit visionairelighting.com.

Options

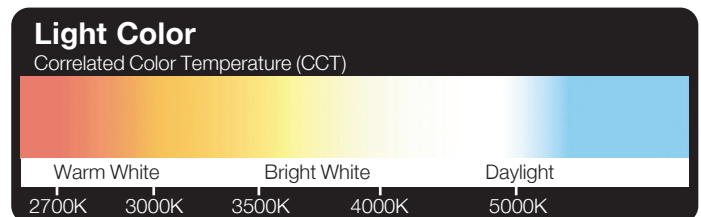
- Wattstopper Plus
- Wattstopper FSP-211 Motion Sensor/Control
- Photocell & Receptacle (PCR)
- Photo Receptacle (PER) (5/7PINPER)
- 0-10V Dimming Driver
- Dim To Off Driver
- DALI 2 Driver
- Visionaire Wireless Controls
- Back House Shield
- Cut-Off Louver Shield
- Round pole plate adaptor
- Rotated Optics
- Zhaga 4 Pin Receptacle
- Bird Spikes
- BAA / BABA

Listings

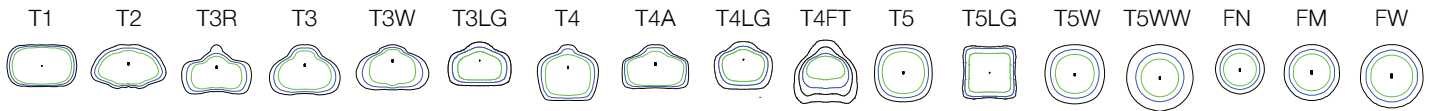
- The VLX Series is cUL Listed
- IP65 Rated
- Powder Coated Tough.
- IDA Certification



3000K or lower must be selected with a fixed mount for IDA certification. Fixed mount must be selected for IDA dark sky certification.



Photometric Optical Summary



| EPA Data | 1.0 | 1.6 | 2.0 | 2.5 | 2.4 | 2.5 |
|----------|-----|-----|-----|-----|-----|-----|
| | | | | | | |

Dimensions

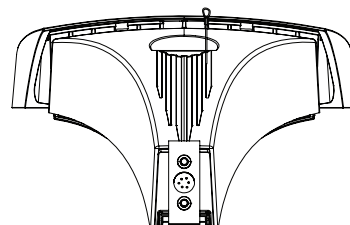
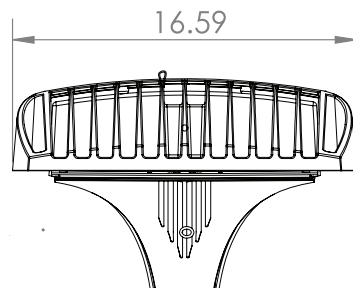
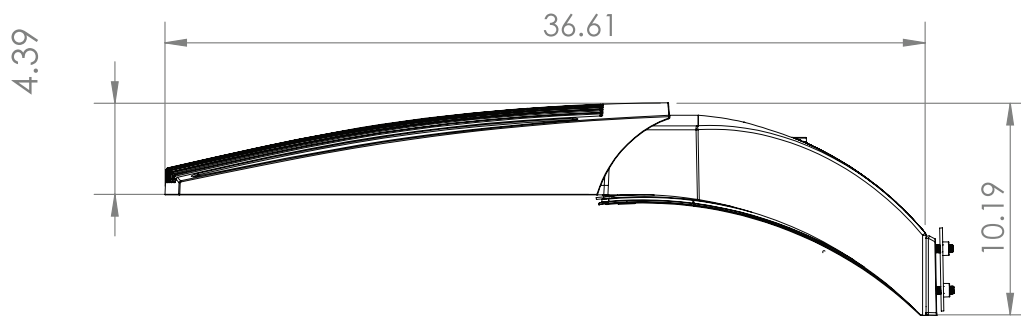
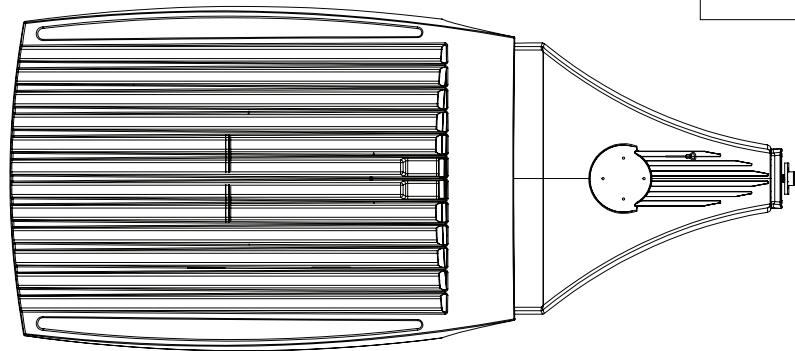
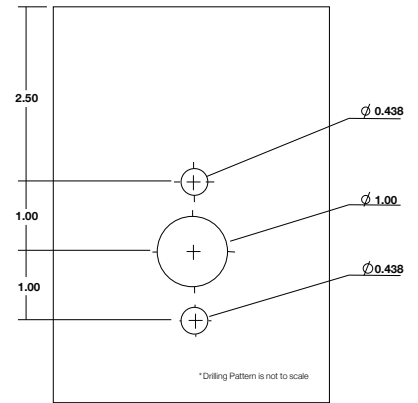
Width: VLX-1 16.5"

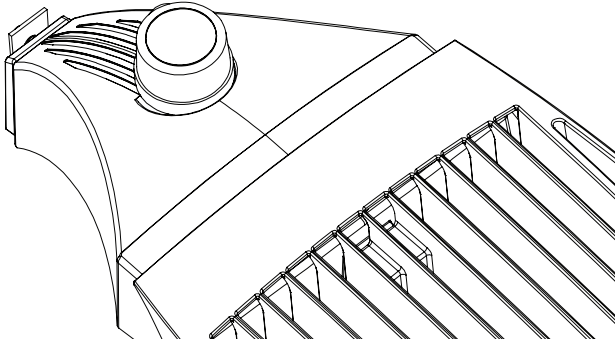
Depth: VLX-1 36.6"

Height: VLX-1 4.39"

Overall Height: VLX-1 10.19"

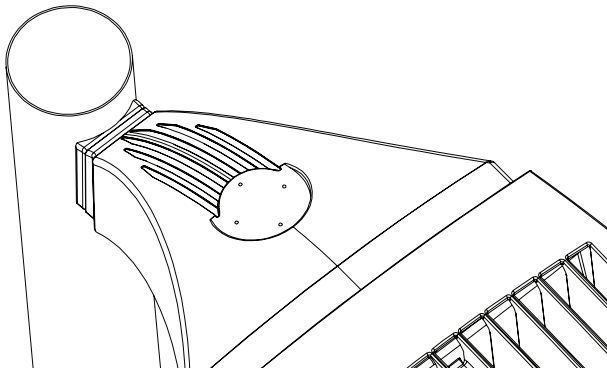
Weight: 58 LBS





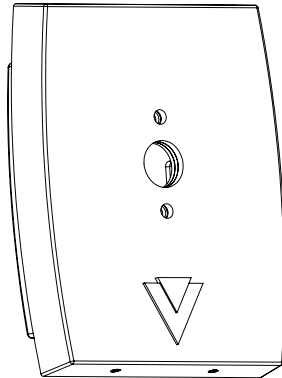
Twist lock Photocell & Receptacle

Dusk to dawn sensor.



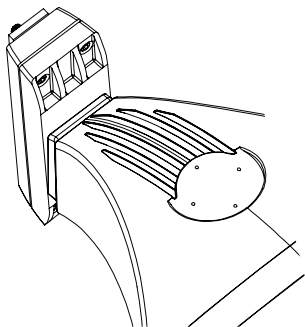
Round Pole Plate Adapter

Round Pole Plate Adapter to be used with round pole.



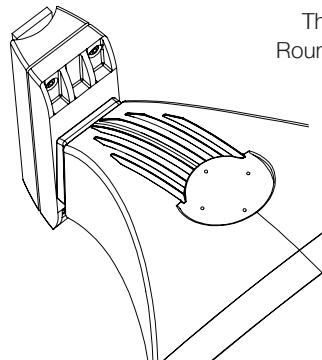
Bolt-On Arm Wall Plate

Arm mount wall plate is needed to wall mount the VLX.



UPMA

The Universal Pole Mount Adapter is ideal for retrofit applications with existing square poles. This adapter is slotted to fit any existing drilling pattern, up to 6 1/2" bolt to bolt maximum.

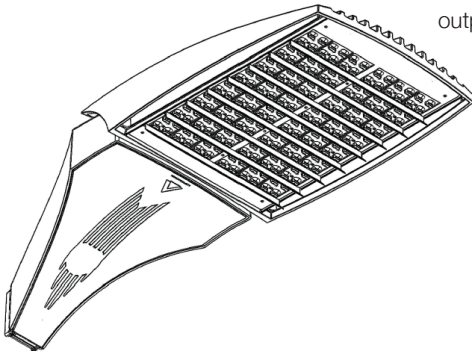


UPMA-R

The Universal Pole Mount Adapter Round is ideal for retrofit applications with existing round poles. This adapter is slotted to fit any existing drilling pattern, up to 6 1/2" bolt to bolt maximum.

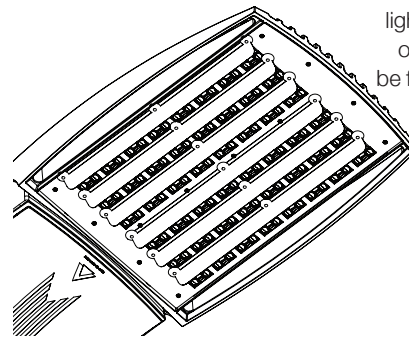
CLS

The back side cutoff louver shield will reduce light output behind the fixture, all of the light will be focused in front of the VLX.



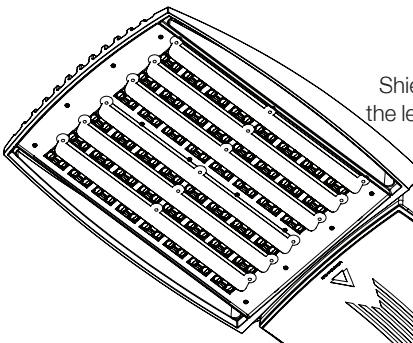
RCLS

The Right Side Cutoff Louver Shield will reduce light output on the right side of the fixture, all of the light will be focused on the left side of the VLX.



LCLS

The Left Side Cutoff Louver Shield will reduce light output on the left side of the fixture, all of the light will be focused on the right side of the VLX.



Zhaga Socket

Zhaga sockets and controllers use 4-pin contacts that carry different functions, such as voltage, dimming, and auxiliary power.

| Ordering Nomenclature | System Watts | VLX-1 - ELECTRICAL LOAD (A) | | | | | |
|-----------------------|--------------|-----------------------------|------|------|------|------|------|
| | | 120 | 208 | 240 | 277 | 347 | 480 |
| VLX-1-T5-96LD-3 | 99 | 0.82 | 0.47 | 0.41 | 0.36 | 0.28 | 0.21 |
| VLX-1-T5-96LD-5 | 152 | 1.27 | 0.73 | 0.63 | 0.55 | 0.44 | 0.32 |
| VLX-1-T5-96LD-7 | 204 | 1.70 | 0.98 | 0.85 | 0.74 | 0.59 | 0.42 |
| VLX-1-T5-96LD-10 | 314 | 2.62 | 1.51 | 1.31 | 1.14 | 0.91 | 0.66 |
| VLX-1-T5-128LD-3 | 132 | 1.10 | 0.63 | 0.55 | 0.47 | 0.38 | 0.27 |
| VLX-1-T5-128LD-5 | 203 | 1.69 | 0.98 | 0.85 | 0.73 | 0.58 | 0.42 |
| VLX-1-T5-128LD-7 | 272 | 2.27 | 1.31 | 1.13 | 0.98 | 0.78 | 0.57 |
| VLX-1-T5-128LD-10 | 419 | 3.49 | 2.02 | 1.75 | 1.51 | 1.21 | 0.87 |
| VLX-1-T5-160LD-3 | 164 | 1.37 | 0.79 | 0.68 | 0.59 | 0.47 | 0.34 |
| VLX-1-T5-160LD-5 | 254 | 2.11 | 1.22 | 1.06 | 0.92 | 0.73 | 0.53 |
| VLX-1-T5-160LD-7 | 340 | 2.83 | 1.63 | 1.42 | 1.23 | 0.98 | 0.71 |
| VLX-1-T5-160LD-10 | 524 | 4.37 | 2.52 | 2.18 | 1.89 | 1.51 | 1.09 |
| VLX-1-T5-192LD-3 | 197 | 1.64 | 0.95 | 0.82 | 0.71 | 0.57 | 0.41 |
| VLX-1-T5-192LD-5 | 304 | 2.53 | 1.46 | 1.27 | 1.10 | 0.88 | 0.63 |
| VLX-1-T5-192LD-7 | 408 | 3.40 | 1.96 | 1.70 | 1.47 | 1.17 | 0.85 |
| VLX-1-T5-192LD-10 | 629 | 5.24 | 3.02 | 2.62 | 2.27 | 1.81 | 1.31 |

WATTSTOPPER PLUS

FSP-600 Series

The FSP-600 series by Wattstopper PLUS is an integrated luminaire level lighting controller and sensor for indoor/outdoor lighting applications that require networked wireless control. The FSP-600 is designed to integrate directly into exterior, high bay, parking garage, and general site lighting solutions. It is a passive infrared (PIR) sensor and closed loop photosensor.

The FSP-600 series design intends to reduce installer labor time and make on-site start up easy for technicians.

Once commissioned and paired to a Wattstopper PLUS network, the devices can measure both motion and daylight contribution in order to automatically switch or dim lighting. It also provides the ability to communicate to other fixtures in the space without any front-end devices.

The Wattstopper PLUS FSP-600 series is available in a few different options including: internal, external straight nipple, and external drop nipple. Sensor lens options sold separately and should be ordered based on designed mounting height and desired finish.

FSP-621



FSP-200 Series

The FSP-200 series sensors provide multi-level control based on motion and/or daylight contribution. They control 0-10 VDC LED drivers or dimming ballasts, as well as non-dimming ballasts and, with an FSP-Lx Lens, are rated for wet and cold locations. All control parameters are adjustable via a wireless configuration tool capable of storing and transmitting sensor profiles. The FSP-200 series is available in two different voltage configurations adding flexibility to your fixture design or project.

Typically, the sensor ramps lighting On to the selected High mode level when motion is detected and the ambient light level is below the hold off setpoint. After the sensor stops detecting movement and the time delay elapses, lights fade to the Low mode level. If there is no motion during the subsequent cut off time delay, the lights will turn Off. For dusk to dawn control, the integral photocell can switch the lights On and Off based on the ambient light level so that lighting remains on overnight even without motion detection.

Initial setup and subsequent sensor adjustments are made using a Wireless Handheld Configuration Tool (FSIR-100). This tool enables adjustment of parameters including high and low modes, sensitivity, time delay, cut off and more. The FSIR-100 is also used to initiate automatic calibration of the FSP-2x1B ambient light level setpoint. The setpoint is used to hold the controlled lighting off or at a low level when there is sufficient daylight. The wireless tool stores up to six sensor parameter profiles to speed configuration of multiple sensors.

FSP-211



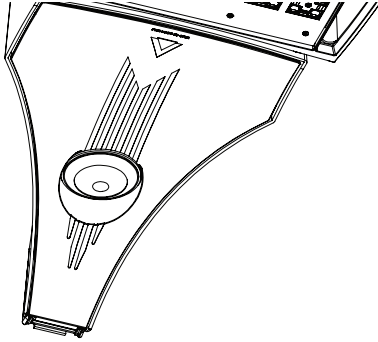
FSP-221



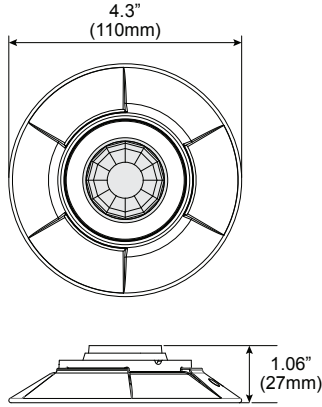
Lens with Shroud Dimensions

The FSP-Lx-S models include a shroud, which blocks high-angle light coming from the fixture, to improve photocell performance. With the shroud attached, the dimensions for all three lenses are identical

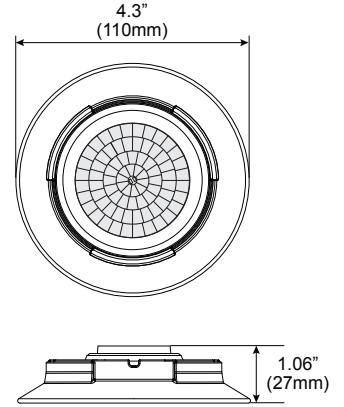
VLX Lens Placement



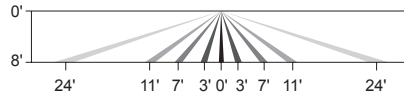
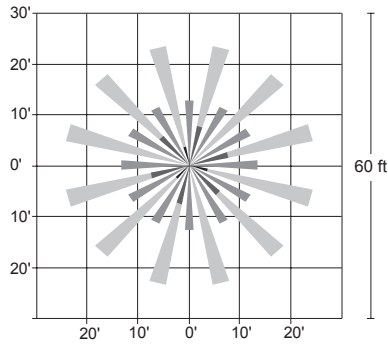
FSP-L2-S and FSP-L3-S



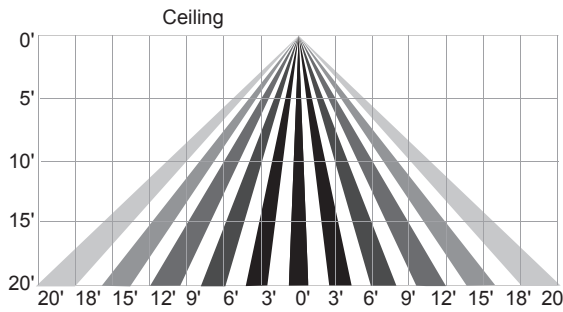
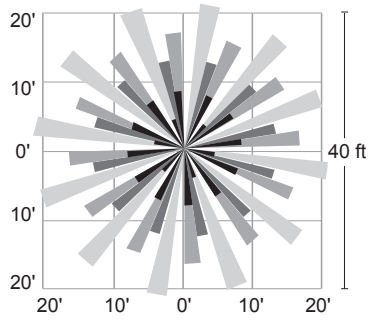
FSP-L7-S



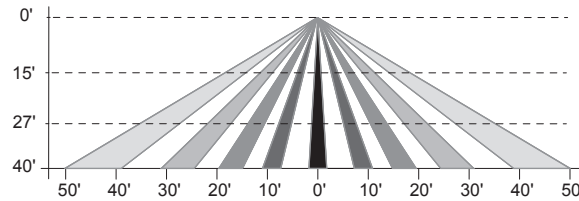
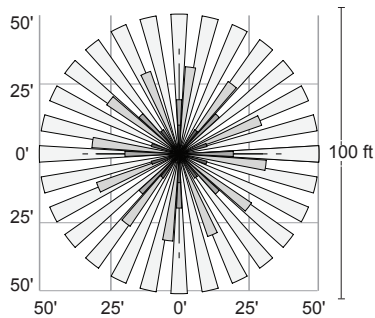
COVERAGE



FSP-L2 top and side coverage patterns



FSP-L3 top and side coverage patterns



FSP-L7 top and side coverage patterns

| VLX-1 LED SPECIFICATIONS / Forward Optics | | | | | | | | | | | | | | | | | | | | | | | | | | | |
|---|-----------------|-------------------|------------------|----|-------|---|-----|--------|-----|-------|---|-----|--------|-----|-------|---|-----|--------|-----|-------|---|-----|--------|-----|-------|---|-----|
| Led Count | Current & Watts | Distribution Type | 70CRI | | | | | | | | | | | | | | | | | | | | | | | | |
| | | | 27K | | | | | 30K | | | | | 35K | | | | | 40K | | | | | 50K | | | | |
| | | | Lumens | B | U | G | LPW | Lumens | B | U | G | LPW | Lumens | B | U | G | LPW | Lumens | B | U | G | LPW | Lumens | B | U | G | LPW |
| 96LD | 350 mA (98.6W) | T1 | 15708 | 4 | 0 | 4 | 159 | 16391 | 4 | 0 | 4 | 166 | 16391 | 4 | 0 | 4 | 166 | 16220 | 4 | 0 | 4 | 165 | 17074 | 4 | 0 | 4 | 173 |
| | | T2 | 15261 | 3 | 0 | 3 | 155 | 15924 | 3 | 0 | 3 | 162 | 15924 | 3 | 0 | 3 | 162 | 15759 | 3 | 0 | 3 | 160 | 16588 | 3 | 0 | 3 | 168 |
| | | T3R | 15488 | 3 | 0 | 3 | 157 | 16162 | 3 | 0 | 3 | 164 | 16162 | 3 | 0 | 3 | 164 | 15993 | 3 | 0 | 3 | 162 | 16835 | 3 | 0 | 3 | 171 |
| | | T3 | 15321 | 3 | 0 | 3 | 155 | 15987 | 3 | 0 | 3 | 162 | 15987 | 3 | 0 | 3 | 162 | 15820 | 3 | 0 | 3 | 160 | 16653 | 3 | 0 | 3 | 169 |
| | | T3W | 15613 | 2 | 0 | 3 | 158 | 16292 | 2 | 0 | 3 | 165 | 16292 | 2 | 0 | 3 | 165 | 16122 | 2 | 0 | 3 | 164 | 16971 | 3 | 0 | 3 | 172 |
| | | T3LG | 15662 | 3 | 0 | 2 | 159 | 16343 | 3 | 0 | 2 | 166 | 16343 | 3 | 0 | 2 | 166 | 16173 | 3 | 0 | 2 | 164 | 17024 | 3 | 0 | 2 | 173 |
| | | T4 | 15408 | 3 | 0 | 3 | 156 | 16078 | 3 | 0 | 3 | 163 | 16078 | 3 | 0 | 3 | 163 | 15910 | 3 | 0 | 3 | 161 | 16748 | 3 | 0 | 3 | 170 |
| | | T4A | 16228 | 3 | 0 | 2 | 165 | 16933 | 3 | 0 | 2 | 172 | 16933 | 3 | 0 | 2 | 172 | 16757 | 3 | 0 | 2 | 170 | 17639 | 3 | 0 | 2 | 179 |
| | | T4LG | 15616 | 2 | 0 | 2 | 158 | 16295 | 2 | 0 | 2 | 165 | 16295 | 2 | 0 | 2 | 165 | 16125 | 2 | 0 | 2 | 164 | 16974 | 2 | 0 | 2 | 172 |
| | | T4FT | 15862 | 3 | 0 | 3 | 161 | 16552 | 3 | 0 | 3 | 168 | 16552 | 3 | 0 | 3 | 168 | 16390 | 3 | 0 | 3 | 166 | 17242 | 3 | 0 | 3 | 175 |
| | | T5 | 16185 | 4 | 0 | 2 | 164 | 16888 | 4 | 0 | 2 | 171 | 16888 | 4 | 0 | 2 | 171 | 16713 | 4 | 0 | 2 | 169 | 17592 | 4 | 0 | 2 | 178 |
| | | T5LG | 15770 | 3 | 0 | 2 | 160 | 16456 | 3 | 0 | 2 | 167 | 16456 | 3 | 0 | 2 | 167 | 16284 | 3 | 0 | 2 | 165 | 17141 | 3 | 0 | 2 | 174 |
| | | T5W | 15633 | 4 | 0 | 2 | 159 | 16313 | 4 | 0 | 2 | 165 | 16313 | 4 | 0 | 2 | 165 | 16143 | 4 | 0 | 2 | 164 | 16993 | 4 | 0 | 2 | 172 |
| | | T5WW | 14840 | 4 | 0 | 2 | 151 | 15485 | 4 | 0 | 2 | 157 | 15485 | 4 | 0 | 2 | 157 | 15324 | 4 | 0 | 2 | 155 | 16130 | 4 | 0 | 2 | 164 |
| | | FN | 15933 | 5 | 0 | 1 | 162 | 16688 | 5 | 0 | 1 | 169 | 16688 | 5 | 0 | 1 | 169 | 16514 | 5 | 0 | 1 | 167 | 17383 | 5 | 0 | 1 | 176 |
| | | FM | 16301 | 5 | 0 | 1 | 165 | 17010 | 5 | 0 | 1 | 173 | 17010 | 5 | 0 | 1 | 173 | 16832 | 5 | 0 | 1 | 171 | 17718 | 5 | 0 | 1 | 180 |
| | | FW | 16245 | 4 | 0 | 1 | 165 | 16952 | 4 | 0 | 1 | 172 | 16952 | 4 | 0 | 1 | 172 | 16775 | 4 | 0 | 1 | 170 | 17658 | 4 | 0 | 1 | 179 |
| | | 96LD | 530 mA (152.1W) | T1 | 23229 | 4 | 0 | 4 | 153 | 24239 | 4 | 0 | 4 | 159 | 24239 | 4 | 0 | 4 | 159 | 23966 | 4 | 0 | 4 | 158 | 25249 | 4 | 0 |
| T2 | 22668 | | | 3 | 0 | 4 | 148 | 23549 | 3 | 0 | 4 | 155 | 23549 | 3 | 0 | 4 | 155 | 23303 | 3 | 0 | 4 | 153 | 24530 | 3 | 0 | 4 | 161 |
| T3R | 22904 | | | 3 | 0 | 4 | 151 | 23899 | 3 | 0 | 4 | 157 | 23899 | 3 | 0 | 4 | 157 | 23651 | 3 | 0 | 4 | 156 | 24895 | 3 | 0 | 5 | 164 |
| T3 | 22656 | | | 3 | 0 | 3 | 149 | 23641 | 3 | 0 | 3 | 155 | 23641 | 3 | 0 | 3 | 155 | 23394 | 3 | 0 | 3 | 154 | 24626 | 3 | 0 | 3 | 162 |
| T3W | 23088 | | | 3 | 0 | 3 | 152 | 24092 | 3 | 0 | 4 | 158 | 24092 | 3 | 0 | 4 | 158 | 23841 | 3 | 0 | 4 | 157 | 25096 | 3 | 0 | 4 | 165 |
| T3LG | 23161 | | | 3 | 0 | 3 | 152 | 24168 | 3 | 0 | 3 | 159 | 24168 | 3 | 0 | 3 | 159 | 23916 | 3 | 0 | 3 | 157 | 25175 | 3 | 0 | 3 | 166 |
| T4 | 22785 | | | 3 | 0 | 3 | 150 | 23775 | 3 | 0 | 3 | 156 | 23775 | 3 | 0 | 3 | 156 | 23526 | 3 | 0 | 3 | 155 | 24766 | 3 | 0 | 4 | 163 |
| T4A | 23997 | | | 3 | 0 | 3 | 158 | 25041 | 3 | 0 | 3 | 165 | 25041 | 3 | 0 | 3 | 165 | 24780 | 3 | 0 | 3 | 163 | 26084 | 3 | 0 | 3 | 172 |
| T4LG | 23092 | | | 3 | 0 | 2 | 152 | 24096 | 3 | 0 | 3 | 158 | 24096 | 3 | 0 | 3 | 158 | 23845 | 3 | 0 | 3 | 157 | 25100 | 3 | 0 | 3 | 165 |
| T4FT | 23457 | | | 3 | 0 | 4 | 154 | 24477 | 3 | 0 | 4 | 161 | 24477 | 3 | 0 | 4 | 161 | 24222 | 3 | 0 | 4 | 159 | 25497 | 3 | 0 | 4 | 168 |
| T5 | 23934 | | | 4 | 0 | 2 | 157 | 24974 | 4 | 0 | 2 | 164 | 24974 | 4 | 0 | 2 | 164 | 24714 | 4 | 0 | 2 | 163 | 26015 | 4 | 0 | 3 | 171 |
| T5LG | 23320 | | | 4 | 0 | 2 | 153 | 24334 | 4 | 0 | 2 | 160 | 24334 | 4 | 0 | 2 | 160 | 24081 | 4 | 0 | 2 | 158 | 25348 | 4 | 0 | 2 | 167 |
| T5W | 23118 | | | 5 | 0 | 3 | 152 | 24123 | 5 | 0 | 3 | 159 | 24123 | 5 | 0 | 3 | 159 | 23872 | 5 | 0 | 3 | 157 | 25129 | 5 | 0 | 3 | 165 |
| T5WW | 21945 | | | 5 | 0 | 3 | 144 | 22899 | 5 | 0 | 3 | 151 | 22899 | 5 | 0 | 3 | 151 | 22661 | 5 | 0 | 3 | 149 | 23853 | 5 | 0 | 3 | 157 |
| FN | 23650 | | | 5 | 0 | 1 | 156 | 24678 | 5 | 0 | 1 | 162 | 24678 | 5 | 0 | 1 | 162 | 24421 | 5 | 0 | 1 | 161 | 25706 | 5 | 0 | 1 | 169 |
| FM | 24105 | | | 5 | 0 | 1 | 159 | 25153 | 5 | 0 | 1 | 165 | 25153 | 5 | 0 | 1 | 165 | 24891 | 5 | 0 | 1 | 164 | 26202 | 5 | 0 | 1 | 172 |
| FW | 24023 | | | 4 | 0 | 2 | 158 | 25068 | 4 | 0 | 2 | 165 | 25068 | 4 | 0 | 2 | 165 | 24807 | 4 | 0 | 2 | 163 | 26112 | 5 | 0 | 2 | 172 |
| 96LD | 700 mA (203.8W) | | | T1 | 29560 | 4 | 0 | 4 | 145 | 30845 | 4 | 0 | 4 | 151 | 30845 | 4 | 0 | 4 | 151 | 30524 | 4 | 0 | 4 | 150 | 32130 | 5 | 0 |
| | | T2 | 28718 | 4 | 0 | 5 | 141 | 29967 | 4 | 0 | 5 | 147 | 29967 | 4 | 0 | 5 | 147 | 29654 | 4 | 0 | 5 | 145 | 31215 | 4 | 0 | 5 | 153 |
| | | T3R | 29146 | 4 | 0 | 5 | 143 | 30413 | 4 | 0 | 5 | 149 | 30413 | 4 | 0 | 5 | 149 | 30096 | 4 | 0 | 5 | 148 | 31680 | 4 | 0 | 5 | 155 |
| | | T3 | 28830 | 3 | 0 | 4 | 141 | 30084 | 3 | 0 | 4 | 148 | 30084 | 3 | 0 | 4 | 148 | 29770 | 3 | 0 | 4 | 146 | 31337 | 3 | 0 | 4 | 154 |
| | | T3W | 29381 | 3 | 0 | 4 | 144 | 30658 | 3 | 0 | 4 | 150 | 30658 | 3 | 0 | 4 | 150 | 30339 | 3 | 0 | 4 | 149 | 31936 | 3 | 0 | 4 | 157 |
| | | T3LG | 29473 | 3 | 0 | 3 | 145 | 30754 | 3 | 0 | 3 | 151 | 30754 | 3 | 0 | 3 | 151 | 30434 | 3 | 0 | 3 | 149 | 32036 | 3 | 0 | 3 | 157 |
| | | T4 | 28994 | 4 | 0 | 4 | 142 | 30255 | 4 | 0 | 4 | 148 | 30255 | 4 | 0 | 4 | 148 | 29940 | 4 | 0 | 4 | 147 | 31516 | 4 | 0 | 4 | 155 |
| | | T4A | 30538 | 3 | 0 | 3 | 150 | 31865 | 3 | 0 | 3 | 156 | 31865 | 3 | 0 | 3 | 156 | 31533 | 3 | 0 | 3 | 155 | 33193 | 3 | 0 | 3 | 163 |
| | | T4LG | 29386 | 3 | 0 | 3 | 144 | 30663 | 3 | 0 | 3 | 150 | 30663 | 3 | 0 | 3 | 150 | 30344 | 3 | 0 | 3 | 149 | 31941 | 3 | 0 | 3 | 157 |
| | | T4FT | 29850 | 3 | 0 | 5 | 146 | 31147 | 3 | 0 | 5 | 153 | 31147 | 3 | 0 | 5 | 153 | 30823 | 3 | 0 | 5 | 151 | 32445 | 3 | 0 | 5 | 159 |
| | | T5 | 30456 | 5 | 0 | 3 | 149 | 31781 | 5 | 0 | 3 | 156 | 31781 | 5 | 0 | 3 | 156 | 31450 | 5 | 0 | 3 | 154 | 33105 | 5 | 0 | 3 | 162 |
| | | T5LG | 29676 | 4 | 0 | 2 | 146 | 30966 | 4 | 0 | 2 | 152 | 30966 | 4 | 0 | 2 | 152 | 30643 | 4 | 0 | 2 | 150 | 32256 | 4 | 0 | 3 | 158 |
| | | T5W | 29419 | 5 | 0 | 3 | 144 | 30698 | 5 | 0 | 3 | 151 | 30698 | 5 | 0 | 3 | 151 | 30378 | 5 | 0 | 3 | 149 | 31977 | 5 | 0 | 4 | 157 |
| | | T5WW | 27926 | 5 | 0 | 3 | 137 | 29140 | 5 | 0 | 3 | 143 | 29140 | 5 | 0 | 3 | 143 | 28836 | 5 | 0 | 3 | 141 | 30354 | 5 | 0 | 4 | 149 |
| | | FN | 30095 | 5 | 0 | 2 | 148 | 31404 | 5 | 0 | 2 | 154 | 31404 | 5 | 0 | 2 | 154 | 31076 | 5 | 0 | 2 | 152 | 32712 | 5 | 0 | 2 | 160 |
| | | FM | 30675 | 5 | 0 | 1 | 150 | 32009 | 5 | 0 | 1 | 157 | 32009 | 5 | 0 | 1 | 157 | 31675 | 5 | 0 | 1 | 155 | 33342 | 5 | 0 | 1 | 164 |
| | | FW | 30571 | 5 | 0 | 2 | 150 | 31900 | 5 | 0 | 2 | 156 | 31900 | 5 | 0 | 2 | 156 | 31588 | 5 | 0 | 2 | 155 | 33229 | 5 | 0 | 2 | 163 |
| | | 96LD | 1050 mA (314.4W) | T1 | 39835 | 5 | 0 | 5 | 127 | 41567 | 5 | 0 | 5 | 132 | 41567 | 5 | 0 | 5 | 132 | 41134 | 5 | 0 | 5 | 131 | 43299 | 5 | 0 |
| T2 | 38701 | | | 4 | 0 | 5 | 123 | 40383 | 4 | 0 | 5 | 128 | 40383 | 4 | 0 | 5 | 128 | 39963 | 4 | 0 | 5 | 127 | 42066 | 4 | 0 | 5 | 134 |
| T3R | 39277 | | | 4 | 0 | 5 | 125 | 40985 | 4 | 0 | 5 | 130 | 40985 | 4 | 0 | 5 | 130 | 40558 | 4 | 0 | 5 | 129 | 42692 | | | | |

| VLX-1 LED SPECIFICATIONS / Forward Optics | | | | | | | | | | | | | | | | | | | | | | | | | | | | | |
|---|-----------------|-------------------|------------------|-----|-------|---|-----|--------|-----|-------|---|-----|--------|-----|-------|---|-----|--------|-----|-------|---|-----|--------|-----|-------|---|-----|---|-----|
| Lcd Count | Current & Watts | Distribution Type | 70CRI | | | | | | | | | | | | | | | | | | | | | | | | | | |
| | | | 27K | | | | | 30K | | | | | 35K | | | | | 40K | | | | | 50K | | | | | | |
| | | | Lumens | B | U | G | LPW | Lumens | B | U | G | LPW | Lumens | B | U | G | LPW | Lumens | B | U | G | LPW | Lumens | B | U | G | LPW | | |
| 128LD | 350 mA (131.5W) | T1 | 20691 | 4 | 0 | 4 | 157 | 21590 | 4 | 0 | 4 | 164 | 21590 | 4 | 0 | 4 | 164 | 21365 | 4 | 0 | 4 | 162 | 22490 | 4 | 0 | 4 | 171 | | |
| | | T2 | 20101 | 3 | 0 | 4 | 153 | 20975 | 3 | 0 | 4 | 160 | 20975 | 3 | 0 | 4 | 160 | 20757 | 3 | 0 | 4 | 158 | 21849 | 3 | 0 | 4 | 166 | | |
| | | T3R | 20401 | 3 | 0 | 4 | 155 | 21288 | 3 | 0 | 4 | 162 | 21288 | 3 | 0 | 4 | 162 | 21066 | 3 | 0 | 4 | 160 | 22175 | 3 | 0 | 4 | 169 | | |
| | | T3 | 20180 | 3 | 0 | 3 | 153 | 21057 | 3 | 0 | 3 | 160 | 21057 | 3 | 0 | 3 | 160 | 20838 | 3 | 0 | 3 | 158 | 21935 | 3 | 0 | 3 | 167 | | |
| | | T3W | 20565 | 3 | 0 | 3 | 156 | 21459 | 3 | 0 | 3 | 163 | 21459 | 3 | 0 | 3 | 163 | 21236 | 3 | 0 | 3 | 161 | 22354 | 3 | 0 | 3 | 170 | | |
| | | T3LG | 20630 | 3 | 0 | 3 | 157 | 21527 | 3 | 0 | 3 | 164 | 21527 | 3 | 0 | 3 | 164 | 21302 | 3 | 0 | 3 | 162 | 22424 | 3 | 0 | 3 | 171 | | |
| | | T4 | 20295 | 3 | 0 | 3 | 154 | 21177 | 3 | 0 | 3 | 161 | 21177 | 3 | 0 | 3 | 161 | 20957 | 3 | 0 | 3 | 159 | 22060 | 3 | 0 | 3 | 168 | | |
| | | T4A | 21375 | 3 | 0 | 3 | 163 | 22304 | 3 | 0 | 3 | 170 | 22304 | 3 | 0 | 3 | 170 | 22072 | 3 | 0 | 3 | 168 | 23234 | 3 | 0 | 3 | 177 | | |
| | | T4LG | 20569 | 3 | 0 | 2 | 156 | 21463 | 3 | 0 | 2 | 163 | 21463 | 3 | 0 | 2 | 163 | 21239 | 3 | 0 | 2 | 162 | 22357 | 3 | 0 | 2 | 170 | | |
| | | T4FT | 20893 | 3 | 0 | 4 | 159 | 21802 | 3 | 0 | 4 | 166 | 21802 | 3 | 0 | 4 | 166 | 21575 | 3 | 0 | 4 | 164 | 22710 | 3 | 0 | 4 | 173 | | |
| | | T5 | 21318 | 4 | 0 | 2 | 162 | 22245 | 4 | 0 | 2 | 169 | 22245 | 4 | 0 | 2 | 169 | 22013 | 4 | 0 | 2 | 167 | 23172 | 4 | 0 | 2 | 176 | | |
| | | T5LG | 20772 | 3 | 0 | 2 | 158 | 21675 | 4 | 0 | 2 | 165 | 21675 | 4 | 0 | 2 | 165 | 21449 | 4 | 0 | 2 | 163 | 22578 | 4 | 0 | 2 | 172 | | |
| | | T5W | 20592 | 4 | 0 | 3 | 157 | 21487 | 5 | 0 | 3 | 163 | 21487 | 5 | 0 | 3 | 163 | 21263 | 5 | 0 | 3 | 162 | 22383 | 5 | 0 | 3 | 170 | | |
| | | T5WW | 19547 | 4 | 0 | 2 | 149 | 20397 | 5 | 0 | 3 | 155 | 20397 | 5 | 0 | 3 | 155 | 20184 | 5 | 0 | 3 | 153 | 21247 | 5 | 0 | 3 | 162 | | |
| | | FN | 21065 | 5 | 0 | 1 | 160 | 21981 | 5 | 0 | 1 | 167 | 21981 | 5 | 0 | 1 | 167 | 21752 | 5 | 0 | 1 | 165 | 22897 | 5 | 0 | 1 | 174 | | |
| | | FM | 21471 | 5 | 0 | 1 | 163 | 22405 | 5 | 0 | 1 | 170 | 22405 | 5 | 0 | 1 | 170 | 22171 | 5 | 0 | 1 | 169 | 23338 | 5 | 0 | 1 | 177 | | |
| | | FW | 21398 | 4 | 0 | 1 | 163 | 22329 | 4 | 0 | 2 | 170 | 22329 | 4 | 0 | 2 | 170 | 22096 | 4 | 0 | 2 | 168 | 23259 | 4 | 0 | 2 | 177 | | |
| | | 128LD | 530 mA (202.8W) | T1 | 30589 | 4 | 0 | 4 | 151 | 31919 | 5 | 0 | 5 | 157 | 31919 | 5 | 0 | 5 | 157 | 31586 | 5 | 0 | 5 | 156 | 33248 | 5 | 0 | 5 | 164 |
| | | | | T2 | 29718 | 4 | 0 | 5 | 147 | 31010 | 4 | 0 | 5 | 153 | 31010 | 4 | 0 | 5 | 153 | 30687 | 4 | 0 | 5 | 151 | 32302 | 4 | 0 | 5 | 159 |
| | | | | T3R | 30160 | 4 | 0 | 5 | 149 | 31472 | 4 | 0 | 5 | 155 | 31472 | 4 | 0 | 5 | 155 | 31144 | 4 | 0 | 5 | 154 | 32783 | 4 | 0 | 5 | 162 |
| T3 | 29834 | | | 3 | 0 | 4 | 147 | 31131 | 3 | 0 | 4 | 154 | 31131 | 3 | 0 | 4 | 154 | 30907 | 3 | 0 | 4 | 152 | 32428 | 3 | 0 | 4 | 160 | | |
| T3W | 30403 | | | 3 | 0 | 4 | 150 | 31725 | 3 | 0 | 4 | 156 | 31725 | 3 | 0 | 4 | 156 | 31395 | 3 | 0 | 4 | 155 | 33047 | 3 | 0 | 4 | 163 | | |
| T3LG | 30499 | | | 3 | 0 | 3 | 150 | 31825 | 3 | 0 | 3 | 157 | 31825 | 3 | 0 | 3 | 157 | 31493 | 3 | 0 | 3 | 155 | 33151 | 3 | 0 | 3 | 163 | | |
| T4 | 30004 | | | 4 | 0 | 4 | 148 | 31308 | 4 | 0 | 4 | 154 | 31308 | 4 | 0 | 4 | 154 | 30982 | 4 | 0 | 4 | 153 | 32613 | 4 | 0 | 4 | 161 | | |
| T4A | 31601 | | | 3 | 0 | 3 | 156 | 32974 | 3 | 0 | 3 | 163 | 32974 | 3 | 0 | 3 | 163 | 32631 | 3 | 0 | 3 | 161 | 34348 | 3 | 0 | 3 | 169 | | |
| T4LG | 30409 | | | 3 | 0 | 3 | 150 | 31731 | 3 | 0 | 3 | 156 | 31731 | 3 | 0 | 3 | 156 | 31400 | 3 | 0 | 3 | 155 | 33053 | 3 | 0 | 3 | 163 | | |
| T4FT | 30889 | | | 3 | 0 | 5 | 152 | 32232 | 3 | 0 | 5 | 159 | 32232 | 3 | 0 | 5 | 159 | 31896 | 3 | 0 | 5 | 157 | 33575 | 3 | 0 | 5 | 166 | | |
| T5 | 31517 | | | 5 | 0 | 3 | 155 | 32887 | 5 | 0 | 3 | 162 | 32887 | 5 | 0 | 3 | 162 | 32544 | 5 | 0 | 3 | 161 | 34257 | 5 | 0 | 3 | 169 | | |
| T5LG | 30709 | | | 4 | 0 | 2 | 151 | 32044 | 4 | 0 | 2 | 158 | 32044 | 4 | 0 | 2 | 158 | 31710 | 4 | 0 | 2 | 156 | 33379 | 4 | 0 | 2 | 165 | | |
| T5W | 30443 | | | 5 | 0 | 3 | 150 | 31767 | 5 | 0 | 4 | 157 | 31767 | 5 | 0 | 4 | 157 | 31436 | 5 | 0 | 4 | 155 | 33090 | 5 | 0 | 4 | 163 | | |
| T5WW | 28898 | | | 5 | 0 | 3 | 143 | 30154 | 5 | 0 | 4 | 149 | 30154 | 5 | 0 | 4 | 149 | 29840 | 5 | 0 | 4 | 147 | 31411 | 5 | 0 | 4 | 155 | | |
| FN | 31143 | | | 5 | 0 | 2 | 154 | 32497 | 5 | 0 | 2 | 160 | 32497 | 5 | 0 | 2 | 160 | 32158 | 5 | 0 | 2 | 159 | 33851 | 5 | 0 | 2 | 167 | | |
| FM | 31743 | | | 5 | 0 | 2 | 157 | 33123 | 5 | 0 | 2 | 163 | 33123 | 5 | 0 | 2 | 163 | 32778 | 5 | 0 | 2 | 162 | 34503 | 5 | 0 | 2 | 170 | | |
| FW | 31635 | | | 5 | 0 | 2 | 156 | 33010 | 5 | 0 | 2 | 163 | 33010 | 5 | 0 | 2 | 163 | 32666 | 5 | 0 | 2 | 161 | 34386 | 5 | 0 | 2 | 170 | | |
| 128LD | 700 mA (271.8W) | | | T1 | 38925 | 5 | 0 | 5 | 143 | 40618 | 5 | 0 | 5 | 149 | 40618 | 5 | 0 | 5 | 149 | 40194 | 5 | 0 | 5 | 148 | 42310 | 5 | 0 | 5 | 156 |
| | | | | T2 | 37817 | 4 | 0 | 5 | 139 | 39461 | 4 | 0 | 5 | 145 | 39461 | 4 | 0 | 5 | 145 | 39050 | 4 | 0 | 5 | 144 | 41105 | 4 | 0 | 5 | 151 |
| | | | | T3R | 38380 | 4 | 0 | 5 | 141 | 40049 | 4 | 0 | 5 | 147 | 40049 | 4 | 0 | 5 | 147 | 39632 | 4 | 0 | 5 | 146 | 41717 | 4 | 0 | 5 | 153 |
| | | T3 | 37965 | 3 | 0 | 4 | 140 | 39615 | 4 | 0 | 4 | 146 | 39615 | 4 | 0 | 4 | 146 | 39202 | 4 | 0 | 4 | 144 | 41266 | 4 | 0 | 4 | 152 | | |
| | | T3W | 38690 | 3 | 0 | 5 | 142 | 40372 | 3 | 0 | 5 | 149 | 40372 | 3 | 0 | 5 | 149 | 39951 | 3 | 0 | 5 | 147 | 42054 | 3 | 0 | 5 | 155 | | |
| | | T3LG | 38811 | 4 | 0 | 3 | 143 | 40498 | 4 | 0 | 3 | 149 | 40498 | 4 | 0 | 3 | 149 | 40076 | 4 | 0 | 3 | 147 | 42185 | 4 | 0 | 3 | 155 | | |
| | | T4 | 38181 | 4 | 0 | 4 | 140 | 39841 | 4 | 0 | 5 | 147 | 39841 | 4 | 0 | 5 | 147 | 39426 | 4 | 0 | 4 | 145 | 41501 | 4 | 0 | 5 | 153 | | |
| | | T4A | 40213 | 4 | 0 | 3 | 148 | 41961 | 4 | 0 | 3 | 154 | 41961 | 4 | 0 | 3 | 154 | 41524 | 4 | 0 | 3 | 153 | 43710 | 4 | 0 | 3 | 161 | | |
| | | T4LG | 38696 | 3 | 0 | 3 | 142 | 40378 | 3 | 0 | 3 | 149 | 40378 | 3 | 0 | 3 | 149 | 39958 | 3 | 0 | 3 | 147 | 42061 | 4 | 0 | 3 | 155 | | |
| | | T4FT | 39307 | 3 | 0 | 5 | 145 | 41016 | 4 | 0 | 5 | 151 | 41016 | 4 | 0 | 5 | 151 | 40589 | 4 | 0 | 5 | 149 | 42725 | 4 | 0 | 5 | 157 | | |
| | | T5 | 40106 | 5 | 0 | 4 | 148 | 41850 | 5 | 0 | 4 | 154 | 41850 | 5 | 0 | 4 | 154 | 41414 | 5 | 0 | 4 | 152 | 43594 | 5 | 0 | 4 | 160 | | |
| | | T5LG | 39078 | 4 | 0 | 3 | 144 | 40777 | 4 | 0 | 3 | 150 | 40777 | 4 | 0 | 3 | 150 | 40352 | 4 | 0 | 3 | 148 | 42476 | 5 | 0 | 3 | 156 | | |
| | | T5W | 38740 | 5 | 0 | 4 | 143 | 40424 | 5 | 0 | 4 | 149 | 40424 | 5 | 0 | 4 | 149 | 40003 | 5 | 0 | 4 | 147 | 42106 | 5 | 0 | 4 | 155 | | |
| | | T5WW | 36774 | 5 | 0 | 4 | 135 | 38372 | 5 | 0 | 4 | 141 | 38372 | 5 | 0 | 4 | 141 | 37973 | 5 | 0 | 4 | 140 | 39971 | 5 | 0 | 4 | 147 | | |
| | | FN | 39630 | 5 | 0 | 2 | 146 | 41353 | 5 | 0 | 2 | 152 | 41353 | 5 | 0 | 2 | 152 | 40922 | 5 | 0 | 2 | 151 | 43076 | 5 | 0 | 2 | 158 | | |
| | | FM | 40394 | 5 | 0 | 2 | 149 | 42150 | 5 | 0 | 2 | 155 | 42150 | 5 | 0 | 2 | 155 | 41711 | 5 | 0 | 2 | 153 | 43906 | 5 | 0 | 2 | 162 | | |
| | | FW | 40256 | 5 | 0 | 2 | 148 | 42007 | 5 | 0 | 2 | 155 | 42007 | 5 | 0 | 2 | 155 | 41589 | 5 | 0 | 2 | 153 | 43757 | 5 | 0 | 2 | 161 | | |
| | | 128LD | 1050 mA (419.2W) | T1 | 52456 | 5 | 0 | 5 | 125 | 54736 | 5 | 0 | 5 | 131 | 54736 | 5 | 0 | 5 | 131 | 54166 | 5 | 0 | 5 | 129 | 57017 | 5 | 0 | 5 | 136 |
| | | | | T2 | 50962 | 4 | 0 | 5 | 122 | 53178 | 5 | 0 | 5 | 127 | 53178 | 5 | 0 | 5 | 127 | 52624 | 5 | 0 | 5 | 126 | 55394 | 5 | 0 | 5 | 132 |
| | | | | T3R | 51721 | 5 | 0 | 5 | 123 | 53970 | 5 | 0 | 5 | 129 | 53970 | 5 | 0 | 5 | 129 | 53408 | 5 | 0 | 5 | 127 | 56219 | | | | |

| VLX-1 LED SPECIFICATIONS / Forward Optics | | | | | | | | | | | | | | | | | | | | | | | | | | | | | |
|---|-----------------|-------------------|------------------|-----|-------|---|-----|--------|-----|-------|-----|-----|--------|-----|-------|---|-----|--------|-----|-------|---|-----|-------|-----|-------|---|-----|---|-----|
| Led Count | Current & Watts | Distribution Type | 70CRI | | | | | | | | | | | | | | | | | | | | | | | | | | |
| | | | 27K | | | | 30K | | | | 35K | | | | 40K | | | | 50K | | | | | | | | | | |
| | | | Lumens | B | U | G | LPW | Lumens | B | U | G | LPW | Lumens | B | U | G | LPW | Lumens | B | U | G | LPW | | | | | | | |
| 160LD | 350 mA (164.3W) | T1 | 25686 | 4 | 0 | 4 | 156 | 26803 | 4 | 0 | 4 | 163 | 26803 | 4 | 0 | 4 | 163 | 26524 | 4 | 0 | 4 | 161 | 27920 | 4 | 0 | 4 | 170 | | |
| | | T2 | 24955 | 3 | 0 | 4 | 152 | 26040 | 4 | 0 | 4 | 158 | 26040 | 4 | 0 | 4 | 158 | 25769 | 3 | 0 | 4 | 157 | 27125 | 4 | 0 | 5 | 165 | | |
| | | T3R | 25327 | 3 | 0 | 5 | 154 | 26428 | 4 | 0 | 5 | 161 | 26428 | 4 | 0 | 5 | 161 | 26153 | 4 | 0 | 5 | 159 | 27529 | 4 | 0 | 5 | 168 | | |
| | | T3 | 25052 | 3 | 0 | 3 | 152 | 26142 | 3 | 0 | 3 | 159 | 26142 | 3 | 0 | 3 | 159 | 25869 | 3 | 0 | 3 | 157 | 27231 | 3 | 0 | 3 | 166 | | |
| | | T3W | 25531 | 3 | 0 | 4 | 155 | 26641 | 3 | 0 | 4 | 162 | 26641 | 3 | 0 | 4 | 162 | 26363 | 3 | 0 | 4 | 160 | 27751 | 3 | 0 | 4 | 169 | | |
| | | T3LG | 25611 | 3 | 0 | 3 | 156 | 26724 | 3 | 0 | 3 | 163 | 26724 | 3 | 0 | 3 | 163 | 26446 | 3 | 0 | 3 | 161 | 27836 | 3 | 0 | 3 | 169 | | |
| | | T4 | 25195 | 3 | 0 | 4 | 153 | 26291 | 4 | 0 | 4 | 160 | 26291 | 4 | 0 | 4 | 160 | 26017 | 4 | 0 | 4 | 158 | 27366 | 4 | 0 | 4 | 167 | | |
| | | T4A | 26536 | 3 | 0 | 3 | 161 | 27690 | 3 | 0 | 3 | 168 | 27690 | 3 | 0 | 3 | 168 | 27401 | 3 | 0 | 3 | 167 | 28844 | 3 | 0 | 3 | 176 | | |
| | | T4LG | 25535 | 3 | 0 | 3 | 155 | 26645 | 3 | 0 | 3 | 162 | 26645 | 3 | 0 | 3 | 162 | 26388 | 3 | 0 | 3 | 160 | 27756 | 3 | 0 | 3 | 169 | | |
| | | T4FT | 25938 | 3 | 0 | 4 | 158 | 27066 | 3 | 0 | 4 | 165 | 27066 | 3 | 0 | 4 | 165 | 26784 | 3 | 0 | 4 | 163 | 28194 | 3 | 0 | 4 | 172 | | |
| | | T5 | 26466 | 4 | 0 | 3 | 161 | 27616 | 5 | 0 | 3 | 168 | 27616 | 5 | 0 | 3 | 168 | 27329 | 5 | 0 | 3 | 166 | 28767 | 5 | 0 | 3 | 175 | | |
| | | T5LG | 25787 | 4 | 0 | 2 | 157 | 26908 | 4 | 0 | 2 | 164 | 26908 | 4 | 0 | 2 | 164 | 26628 | 4 | 0 | 2 | 162 | 28030 | 4 | 0 | 2 | 171 | | |
| | | T5W | 25564 | 5 | 0 | 3 | 156 | 26676 | 5 | 0 | 3 | 162 | 26676 | 5 | 0 | 3 | 162 | 26398 | 5 | 0 | 3 | 161 | 27787 | 5 | 0 | 3 | 169 | | |
| | | T5WW | 24267 | 5 | 0 | 3 | 148 | 25322 | 5 | 0 | 3 | 154 | 25322 | 5 | 0 | 3 | 154 | 25058 | 5 | 0 | 3 | 152 | 26377 | 5 | 0 | 3 | 161 | | |
| | | FN | 26152 | 5 | 0 | 2 | 159 | 27289 | 5 | 0 | 2 | 166 | 27289 | 5 | 0 | 2 | 166 | 27004 | 5 | 0 | 2 | 164 | 28426 | 5 | 0 | 2 | 173 | | |
| | | FM | 26656 | 5 | 0 | 1 | 162 | 27814 | 5 | 0 | 1 | 169 | 27814 | 5 | 0 | 1 | 169 | 27525 | 5 | 0 | 1 | 167 | 28973 | 5 | 0 | 1 | 176 | | |
| | | FW | 26565 | 5 | 0 | 2 | 162 | 27720 | 5 | 0 | 2 | 169 | 27720 | 5 | 0 | 2 | 169 | 27431 | 5 | 0 | 2 | 167 | 28875 | 5 | 0 | 2 | 176 | | |
| | | 160LD | 530 mA (253.5W) | T1 | 37984 | 5 | 0 | 5 | 150 | 39636 | 5 | 0 | 5 | 156 | 39636 | 5 | 0 | 5 | 156 | 39223 | 5 | 0 | 5 | 155 | 41287 | 5 | 0 | 5 | 163 |
| | | | | T2 | 36903 | 4 | 0 | 5 | 146 | 38507 | 4 | 0 | 5 | 152 | 38507 | 4 | 0 | 5 | 152 | 38106 | 4 | 0 | 5 | 150 | 40112 | 4 | 0 | 5 | 158 |
| | | | | T3R | 37452 | 4 | 0 | 5 | 148 | 39081 | 4 | 0 | 5 | 154 | 39081 | 4 | 0 | 5 | 154 | 38674 | 4 | 0 | 5 | 153 | 40709 | 4 | 0 | 5 | 161 |
| T3 | 37047 | | | 3 | 0 | 4 | 146 | 38658 | 4 | 0 | 4 | 153 | 38658 | 4 | 0 | 4 | 153 | 38255 | 4 | 0 | 4 | 151 | 40288 | 4 | 0 | 4 | 159 | | |
| T3W | 37754 | | | 3 | 0 | 5 | 149 | 39396 | 3 | 0 | 5 | 155 | 39396 | 3 | 0 | 5 | 155 | 38986 | 3 | 0 | 5 | 154 | 41037 | 3 | 0 | 5 | 162 | | |
| T3LG | 37873 | | | 3 | 0 | 3 | 149 | 39519 | 4 | 0 | 3 | 156 | 39519 | 4 | 0 | 3 | 156 | 39108 | 4 | 0 | 3 | 154 | 41166 | 4 | 0 | 3 | 162 | | |
| T4 | 37258 | | | 4 | 0 | 4 | 147 | 38878 | 4 | 0 | 4 | 153 | 38878 | 4 | 0 | 4 | 153 | 38473 | 4 | 0 | 4 | 152 | 40496 | 4 | 0 | 5 | 160 | | |
| T4A | 39241 | | | 4 | 0 | 3 | 155 | 40947 | 4 | 0 | 3 | 162 | 40947 | 4 | 0 | 3 | 162 | 40521 | 4 | 0 | 3 | 160 | 42653 | 4 | 0 | 3 | 168 | | |
| T4LG | 37761 | | | 3 | 0 | 3 | 149 | 39403 | 3 | 0 | 3 | 155 | 39403 | 3 | 0 | 3 | 155 | 38992 | 3 | 0 | 3 | 154 | 41044 | 4 | 0 | 3 | 162 | | |
| T4FT | 38357 | | | 3 | 0 | 5 | 151 | 40025 | 4 | 0 | 5 | 158 | 40025 | 4 | 0 | 5 | 158 | 39608 | 4 | 0 | 5 | 156 | 41692 | 4 | 0 | 5 | 164 | | |
| T5 | 39137 | | | 5 | 0 | 4 | 154 | 40838 | 5 | 0 | 4 | 161 | 40838 | 5 | 0 | 4 | 161 | 40413 | 5 | 0 | 4 | 159 | 42540 | 5 | 0 | 4 | 168 | | |
| T5LG | 38133 | | | 4 | 0 | 3 | 150 | 39791 | 4 | 0 | 3 | 157 | 39791 | 4 | 0 | 3 | 157 | 39377 | 4 | 0 | 3 | 155 | 41449 | 5 | 0 | 3 | 164 | | |
| T5W | 37803 | | | 5 | 0 | 4 | 149 | 39447 | 5 | 0 | 4 | 156 | 39447 | 5 | 0 | 4 | 156 | 39036 | 5 | 0 | 4 | 154 | 41091 | 5 | 0 | 4 | 162 | | |
| T5WW | 35885 | | | 5 | 0 | 4 | 142 | 37445 | 5 | 0 | 4 | 148 | 37445 | 5 | 0 | 4 | 148 | 37055 | 5 | 0 | 4 | 146 | 39005 | 5 | 0 | 4 | 154 | | |
| FN | 38672 | | | 5 | 0 | 2 | 153 | 40354 | 5 | 0 | 2 | 159 | 40354 | 5 | 0 | 2 | 159 | 39933 | 5 | 0 | 2 | 158 | 42035 | 5 | 0 | 2 | 166 | | |
| FM | 39418 | | | 5 | 0 | 2 | 156 | 41131 | 5 | 0 | 2 | 162 | 41131 | 5 | 0 | 2 | 162 | 40703 | 5 | 0 | 2 | 161 | 42845 | 5 | 0 | 2 | 169 | | |
| FW | 39284 | | | 5 | 0 | 2 | 155 | 40991 | 5 | 0 | 2 | 162 | 40991 | 5 | 0 | 2 | 162 | 40564 | 5 | 0 | 2 | 160 | 42699 | 5 | 0 | 2 | 168 | | |
| 160LD | 700 mA (339.7W) | | | T1 | 48337 | 5 | 0 | 5 | 142 | 50438 | 5 | 0 | 5 | 148 | 50438 | 5 | 0 | 5 | 148 | 49913 | 5 | 0 | 5 | 147 | 52540 | 5 | 0 | 5 | 155 |
| | | | | T2 | 46960 | 4 | 0 | 5 | 138 | 49002 | 4 | 0 | 5 | 144 | 49002 | 4 | 0 | 5 | 144 | 48492 | 4 | 0 | 5 | 143 | 51044 | 4 | 0 | 5 | 150 |
| | | | | T3R | 47660 | 4 | 0 | 5 | 140 | 49732 | 4 | 0 | 5 | 146 | 49732 | 4 | 0 | 5 | 146 | 49214 | 4 | 0 | 5 | 145 | 51804 | 5 | 0 | 5 | 152 |
| | | T3 | 47144 | 4 | 0 | 5 | 139 | 49193 | 4 | 0 | 5 | 145 | 49193 | 4 | 0 | 5 | 145 | 48681 | 4 | 0 | 5 | 143 | 51243 | 4 | 0 | 5 | 151 | | |
| | | T3W | 48044 | 4 | 0 | 5 | 141 | 50133 | 4 | 0 | 5 | 148 | 50133 | 4 | 0 | 5 | 148 | 49611 | 4 | 0 | 5 | 146 | 52222 | 4 | 0 | 5 | 154 | | |
| | | T3LG | 48194 | 4 | 0 | 3 | 142 | 50290 | 4 | 0 | 4 | 148 | 50290 | 4 | 0 | 4 | 148 | 49766 | 4 | 0 | 4 | 146 | 52385 | 4 | 0 | 4 | 154 | | |
| | | T4 | 47412 | 4 | 0 | 5 | 140 | 49473 | 4 | 0 | 5 | 146 | 49473 | 4 | 0 | 5 | 146 | 48958 | 4 | 0 | 5 | 144 | 51535 | 5 | 0 | 5 | 152 | | |
| | | T4A | 49936 | 4 | 0 | 3 | 147 | 52107 | 4 | 0 | 4 | 153 | 52107 | 4 | 0 | 4 | 153 | 51564 | 4 | 0 | 4 | 152 | 54278 | 4 | 0 | 4 | 160 | | |
| | | T4LG | 48052 | 4 | 0 | 3 | 141 | 50141 | 4 | 0 | 3 | 148 | 50141 | 4 | 0 | 3 | 148 | 49619 | 4 | 0 | 3 | 146 | 52230 | 4 | 0 | 4 | 154 | | |
| | | T4FT | 48811 | 4 | 0 | 5 | 144 | 50933 | 4 | 0 | 5 | 150 | 50933 | 4 | 0 | 5 | 150 | 50402 | 4 | 0 | 5 | 148 | 53055 | 4 | 0 | 5 | 156 | | |
| | | T5 | 49803 | 5 | 0 | 4 | 147 | 51968 | 5 | 0 | 4 | 153 | 51968 | 5 | 0 | 4 | 153 | 51427 | 5 | 0 | 4 | 151 | 54134 | 5 | 0 | 4 | 159 | | |
| | | T5LG | 48526 | 5 | 0 | 3 | 143 | 50636 | 5 | 0 | 3 | 149 | 50636 | 5 | 0 | 3 | 149 | 50109 | 5 | 0 | 3 | 147 | 52746 | 5 | 0 | 3 | 155 | | |
| | | T5W | 48106 | 5 | 0 | 4 | 142 | 50198 | 5 | 0 | 5 | 148 | 50198 | 5 | 0 | 5 | 148 | 49675 | 5 | 0 | 4 | 146 | 52289 | 5 | 0 | 5 | 154 | | |
| | | T5WW | 45665 | 5 | 0 | 4 | 134 | 47650 | 5 | 0 | 5 | 140 | 47650 | 5 | 0 | 5 | 140 | 47154 | 5 | 0 | 4 | 139 | 49636 | 5 | 0 | 5 | 146 | | |
| | | FN | 49212 | 5 | 0 | 2 | 145 | 51352 | 5 | 0 | 2 | 151 | 51352 | 5 | 0 | 2 | 151 | 50817 | 5 | 0 | 2 | 150 | 53491 | 5 | 0 | 2 | 157 | | |
| | | FM | 50160 | 5 | 0 | 2 | 148 | 52341 | 5 | 0 | 2 | 154 | 52341 | 5 | 0 | 2 | 154 | 51796 | 5 | 0 | 2 | 152 | 54522 | 5 | 0 | 2 | 160 | | |
| | | FW | 49990 | 5 | 0 | 3 | 147 | 52163 | 5 | 0 | 3 | 154 | 52163 | 5 | 0 | 3 | 154 | 51620 | 5 | 0 | 3 | 152 | 54337 | 5 | 0 | 3 | 160 | | |
| | | 160LD | 1050 mA (524.0W) | T1 | 65139 | 5 | 0 | 5 | 124 | 67971 | 5 | 0 | 5 | 130 | 67971 | 5 | 0 | 5 | 130 | 67263 | 5 | 0 | 5 | 128 | 70803 | 5 | 0 | 5 | 135 |
| | | | | T2 | 63284 | 5 | 0 | 5 | 121 | 66035 | 5 | 0 | 5 | 126 | 66035 | 5 | 0 | 5 | 126 | 65347 | 5 | 0 | 5 | 125 | 68767 | 5 | 0 | 5 | 131 |
| | | | | T3R | 64226 | 5 | 0 | 5 | 123 | 67019 | 5 | 0 | 5 | 128 | 67019 | 5 | 0 | 5 | 128 | 66321 | 5 | 0 | 5 | 127 | 69811 | 5 | 0 | 5 | 133 |

| VLX-1 LED SPECIFICATIONS / Forward Optics | | | | | | | | | | | | | | | | | | | | | | | | | | | |
|---|-----------------|-------------------|------------------|----|-------|---|-----|--------|-----|-------|---|-----|--------|-----|-------|---|-----|--------|-----|-------|---|-----|---------|-----|-------|---|-----|
| Led Count | Current & Watts | Distribution Type | 70CRI | | | | | | | | | | | | | | | | | | | | | | | | |
| | | | 27K | | | | | 30K | | | | | 35K | | | | | 40K | | | | | 50K | | | | |
| | | | Lumens | B | U | G | LPW | Lumens | B | U | G | LPW | Lumens | B | U | G | LPW | Lumens | B | U | G | LPW | Lumens | B | U | G | LPW |
| 192LD | 350 mA (197.2W) | T1 | 30427 | 4 | 0 | 4 | 154 | 31750 | 5 | 0 | 5 | 161 | 31750 | 5 | 0 | 5 | 161 | 31420 | 5 | 0 | 5 | 159 | 33073 | 5 | 0 | 5 | 168 |
| | | T2 | 29561 | 4 | 0 | 5 | 150 | 30846 | 4 | 0 | 5 | 156 | 30846 | 4 | 0 | 5 | 156 | 30525 | 4 | 0 | 5 | 155 | 32132 | 4 | 0 | 5 | 163 |
| | | T3R | 30001 | 4 | 0 | 5 | 152 | 31306 | 4 | 0 | 5 | 159 | 31306 | 4 | 0 | 5 | 159 | 30980 | 4 | 0 | 5 | 157 | 32610 | 4 | 0 | 5 | 165 |
| | | T3 | 29677 | 3 | 0 | 4 | 150 | 30967 | 3 | 0 | 4 | 157 | 30967 | 3 | 0 | 4 | 157 | 30644 | 3 | 0 | 4 | 155 | 32257 | 3 | 0 | 4 | 164 |
| | | T3W | 30243 | 3 | 0 | 4 | 153 | 31558 | 3 | 0 | 4 | 160 | 31558 | 3 | 0 | 4 | 160 | 31229 | 3 | 0 | 4 | 158 | 32673 | 3 | 0 | 4 | 167 |
| | | T3LG | 30338 | 3 | 0 | 3 | 154 | 31657 | 3 | 0 | 3 | 161 | 31657 | 3 | 0 | 3 | 161 | 31327 | 3 | 0 | 3 | 159 | 32976 | 3 | 0 | 3 | 167 |
| | | T4 | 29846 | 4 | 0 | 4 | 151 | 31143 | 4 | 0 | 4 | 158 | 31143 | 4 | 0 | 4 | 158 | 30819 | 4 | 0 | 4 | 156 | 32441 | 4 | 0 | 4 | 165 |
| | | T4A | 31434 | 3 | 0 | 3 | 159 | 32801 | 3 | 0 | 3 | 166 | 32801 | 3 | 0 | 3 | 166 | 32459 | 3 | 0 | 3 | 165 | 34168 | 3 | 0 | 3 | 173 |
| | | T4LG | 30248 | 3 | 0 | 3 | 153 | 31564 | 3 | 0 | 3 | 160 | 31564 | 3 | 0 | 3 | 160 | 31235 | 3 | 0 | 3 | 158 | 32879 | 3 | 0 | 3 | 167 |
| | | T4FT | 30726 | 3 | 0 | 5 | 156 | 32062 | 3 | 0 | 5 | 163 | 32062 | 3 | 0 | 5 | 163 | 31728 | 3 | 0 | 5 | 161 | 33398 | 3 | 0 | 5 | 169 |
| | | T5 | 31351 | 5 | 0 | 3 | 159 | 32714 | 5 | 0 | 3 | 166 | 32714 | 5 | 0 | 3 | 166 | 32373 | 5 | 0 | 3 | 164 | 34077 | 5 | 0 | 3 | 173 |
| | | T5LG | 30547 | 4 | 0 | 2 | 155 | 31875 | 4 | 0 | 2 | 162 | 31875 | 4 | 0 | 2 | 162 | 31543 | 4 | 0 | 2 | 160 | 33203 | 4 | 0 | 2 | 168 |
| | | T5W | 30283 | 5 | 0 | 3 | 154 | 31599 | 5 | 0 | 4 | 160 | 31599 | 5 | 0 | 4 | 160 | 31270 | 5 | 0 | 4 | 159 | 32916 | 5 | 0 | 4 | 167 |
| | | T5WW | 28746 | 5 | 0 | 3 | 146 | 29995 | 5 | 0 | 4 | 152 | 29995 | 5 | 0 | 4 | 152 | 29683 | 5 | 0 | 4 | 151 | 31245 | 5 | 0 | 4 | 158 |
| | | FN | 30979 | 5 | 0 | 2 | 157 | 32326 | 5 | 0 | 2 | 164 | 32326 | 5 | 0 | 2 | 164 | 31999 | 5 | 0 | 2 | 162 | 33672 | 5 | 0 | 2 | 171 |
| | | FM | 31576 | 5 | 0 | 2 | 160 | 32948 | 5 | 0 | 2 | 167 | 32948 | 5 | 0 | 2 | 167 | 32605 | 5 | 0 | 2 | 165 | 34321 | 5 | 0 | 2 | 174 |
| | | FW | 31468 | 5 | 0 | 2 | 160 | 32836 | 5 | 0 | 2 | 167 | 32836 | 5 | 0 | 2 | 167 | 32494 | 5 | 0 | 2 | 165 | 34205 | 5 | 0 | 2 | 173 |
| | | 192LD | 530 mA (304.1W) | T1 | 44995 | 5 | 0 | 5 | 148 | 46952 | 5 | 0 | 5 | 154 | 46952 | 5 | 0 | 5 | 154 | 46463 | 5 | 0 | 5 | 153 | 48908 | 5 | 0 |
| T2 | 43714 | | | 4 | 0 | 5 | 144 | 45615 | 4 | 0 | 5 | 150 | 45615 | 4 | 0 | 5 | 150 | 45140 | 4 | 0 | 5 | 148 | 47915 | 4 | 0 | 5 | 156 |
| T3R | 44365 | | | 4 | 0 | 5 | 146 | 46294 | 4 | 0 | 5 | 152 | 46294 | 4 | 0 | 5 | 152 | 45812 | 4 | 0 | 5 | 151 | 48223 | 4 | 0 | 5 | 159 |
| T3 | 43885 | | | 4 | 0 | 4 | 144 | 45793 | 4 | 0 | 5 | 151 | 45793 | 4 | 0 | 5 | 151 | 45316 | 4 | 0 | 4 | 149 | 47701 | 4 | 0 | 5 | 157 |
| T3W | 44723 | | | 4 | 0 | 5 | 147 | 46667 | 4 | 0 | 5 | 153 | 46667 | 4 | 0 | 5 | 153 | 46181 | 4 | 0 | 5 | 152 | 48612 | 4 | 0 | 5 | 160 |
| T3LG | 44863 | | | 4 | 0 | 3 | 148 | 46814 | 4 | 0 | 3 | 154 | 46814 | 4 | 0 | 3 | 154 | 46326 | 4 | 0 | 3 | 152 | 48784 | 4 | 0 | 4 | 160 |
| T4 | 44135 | | | 4 | 0 | 5 | 145 | 46054 | 4 | 0 | 5 | 151 | 46054 | 4 | 0 | 5 | 151 | 45574 | 4 | 0 | 5 | 150 | 47973 | 4 | 0 | 5 | 158 |
| T4A | 46484 | | | 4 | 0 | 3 | 153 | 48505 | 4 | 0 | 3 | 159 | 48505 | 4 | 0 | 3 | 159 | 48000 | 4 | 0 | 3 | 158 | 50526 | 4 | 0 | 3 | 166 |
| T4LG | 44731 | | | 4 | 0 | 3 | 147 | 46675 | 4 | 0 | 3 | 153 | 46675 | 4 | 0 | 3 | 153 | 46189 | 4 | 0 | 3 | 152 | 48620 | 4 | 0 | 4 | 160 |
| T4FT | 45437 | | | 4 | 0 | 5 | 149 | 47412 | 4 | 0 | 5 | 156 | 47412 | 4 | 0 | 5 | 156 | 46918 | 4 | 0 | 5 | 154 | 49388 | 4 | 0 | 5 | 162 |
| T5 | 46360 | | | 5 | 0 | 4 | 152 | 48378 | 5 | 0 | 4 | 159 | 48378 | 5 | 0 | 4 | 159 | 47872 | 5 | 0 | 4 | 157 | 50392 | 5 | 0 | 4 | 166 |
| T5LG | 45172 | | | 5 | 0 | 3 | 149 | 47136 | 5 | 0 | 3 | 155 | 47136 | 5 | 0 | 3 | 155 | 46645 | 5 | 0 | 3 | 153 | 49100 | 5 | 0 | 3 | 161 |
| T5W | 44781 | | | 5 | 0 | 4 | 147 | 46728 | 5 | 0 | 4 | 154 | 46728 | 5 | 0 | 4 | 154 | 46241 | 5 | 0 | 4 | 152 | 48675 | 5 | 0 | 4 | 160 |
| T5WW | 42508 | | | 5 | 0 | 4 | 140 | 44357 | 5 | 0 | 4 | 146 | 44357 | 5 | 0 | 4 | 146 | 43894 | 5 | 0 | 4 | 144 | 46205 | 5 | 0 | 4 | 152 |
| FN | 45810 | | | 5 | 0 | 2 | 151 | 47802 | 5 | 0 | 2 | 157 | 47802 | 5 | 0 | 2 | 157 | 47304 | 5 | 0 | 2 | 156 | 49794 | 5 | 0 | 2 | 164 |
| FM | 46693 | | | 5 | 0 | 2 | 154 | 48723 | 5 | 0 | 2 | 160 | 48723 | 5 | 0 | 2 | 160 | 48216 | 5 | 0 | 2 | 159 | 50753 | 5 | 0 | 2 | 167 |
| FW | 46534 | | | 5 | 0 | 2 | 153 | 48558 | 5 | 0 | 2 | 160 | 48558 | 5 | 0 | 2 | 160 | 48052 | 5 | 0 | 2 | 158 | 50581 | 5 | 0 | 2 | 166 |
| 192LD | 700 mA (407.7W) | | | T1 | 57258 | 5 | 0 | 5 | 140 | 59748 | 5 | 0 | 5 | 147 | 59748 | 5 | 0 | 5 | 147 | 59125 | 5 | 0 | 5 | 145 | 62237 | 5 | 0 |
| | | T2 | 55628 | 5 | 0 | 5 | 136 | 58047 | 5 | 0 | 5 | 142 | 58047 | 5 | 0 | 5 | 142 | 57442 | 5 | 0 | 5 | 141 | 60465 | 5 | 0 | 5 | 148 |
| | | T3R | 56457 | 5 | 0 | 5 | 138 | 58911 | 5 | 0 | 5 | 144 | 58911 | 5 | 0 | 5 | 144 | 58297 | 5 | 0 | 5 | 143 | 61366 | 5 | 0 | 5 | 151 |
| | | T3 | 55845 | 4 | 0 | 5 | 137 | 58273 | 4 | 0 | 5 | 143 | 58273 | 4 | 0 | 5 | 143 | 57666 | 4 | 0 | 5 | 141 | 60701 | 4 | 0 | 5 | 149 |
| | | T3W | 56912 | 4 | 0 | 5 | 140 | 59386 | 4 | 0 | 5 | 146 | 59386 | 4 | 0 | 5 | 146 | 58768 | 4 | 0 | 5 | 144 | 61861 | 4 | 0 | 5 | 152 |
| | | T3LG | 57090 | 4 | 0 | 4 | 140 | 59572 | 4 | 0 | 4 | 146 | 59572 | 4 | 0 | 4 | 146 | 58951 | 4 | 0 | 4 | 145 | 62054 | 4 | 0 | 4 | 152 |
| | | T4 | 56163 | 5 | 0 | 5 | 138 | 58605 | 5 | 0 | 5 | 144 | 58605 | 5 | 0 | 5 | 144 | 57995 | 5 | 0 | 5 | 142 | 61047 | 5 | 0 | 5 | 150 |
| | | T4A | 59153 | 4 | 0 | 4 | 145 | 61724 | 4 | 0 | 4 | 151 | 61724 | 4 | 0 | 4 | 151 | 61081 | 4 | 0 | 4 | 150 | 64296 | 4 | 0 | 4 | 158 |
| | | T4LG | 56921 | 4 | 0 | 4 | 140 | 59396 | 4 | 0 | 4 | 146 | 59396 | 4 | 0 | 4 | 146 | 58777 | 4 | 0 | 4 | 144 | 61871 | 4 | 0 | 4 | 152 |
| | | T4FT | 57820 | 4 | 0 | 5 | 142 | 60334 | 4 | 0 | 5 | 148 | 60334 | 4 | 0 | 5 | 148 | 59705 | 4 | 0 | 5 | 146 | 62848 | 4 | 0 | 5 | 154 |
| | | T5 | 58995 | 5 | 0 | 4 | 145 | 61560 | 5 | 0 | 4 | 151 | 61560 | 5 | 0 | 4 | 151 | 60919 | 5 | 0 | 4 | 149 | 64125 | 5 | 0 | 4 | 157 |
| | | T5LG | 57483 | 5 | 0 | 3 | 141 | 59982 | 5 | 0 | 3 | 147 | 59982 | 5 | 0 | 3 | 147 | 59357 | 5 | 0 | 3 | 146 | 62481 | 5 | 0 | 3 | 153 |
| | | T5W | 56986 | 5 | 0 | 5 | 140 | 59463 | 5 | 0 | 5 | 146 | 59463 | 5 | 0 | 5 | 146 | 58844 | 5 | 0 | 5 | 144 | 61941 | 5 | 0 | 5 | 152 |
| | | T5WW | 54093 | 5 | 0 | 5 | 133 | 56445 | 5 | 0 | 5 | 138 | 56445 | 5 | 0 | 5 | 138 | 55857 | 5 | 0 | 5 | 137 | 58797 | 5 | 0 | 5 | 144 |
| | | FN | 58295 | 5 | 0 | 3 | 143 | 60830 | 5 | 0 | 3 | 149 | 60830 | 5 | 0 | 3 | 149 | 60196 | 5 | 0 | 3 | 148 | 63365 | 5 | 0 | 3 | 155 |
| | | FM | 59419 | 5 | 0 | 2 | 146 | 62002 | 5 | 0 | 2 | 152 | 62002 | 5 | 0 | 2 | 152 | 61356 | 5 | 0 | 2 | 150 | 64586 | 5 | 0 | 2 | 158 |
| | | FW | 59217 | 5 | 0 | 3 | 145 | 61791 | 5 | 0 | 3 | 152 | 61791 | 5 | 0 | 3 | 152 | 61148 | 5 | 0 | 3 | 150 | 64366 | 5 | 0 | 3 | 158 |
| | | 192LD | 1050 mA (628.8W) | T1 | 77162 | 5 | 0 | 5 | 123 | 80516 | 5 | 0 | 5 | 128 | 80516 | 5 | 0 | 5 | 128 | 79678 | 5 | 0 | 5 | 127 | 83971 | 5 | 0 |
| T2 | 74965 | | | 5 | 0 | 5 | 119 | 78224 | 5 | 0 | 5 | 124 | 78224 | 5 | 0 | 5 | 124 | 77409 | 5 | 0 | 5 | 123 | 81483 | 5 | 0 | 5 | 130 |
| T3R | 76081 | | | 5 | 0 | 5 | 121 | 79389 | 5 | 0 | 5 | 126 | 79389 | 5 | 0 | 5 | 126 | 78562 | 5 | 0 | 5 | 125 | 82697</ | | | | |

| VLX-1-BHS LED SPECIFICATIONS / Forward Optics | | | | | | | | | | | | | | | | | | | | | | | | | | | | | |
|---|-----------------|-------------------|------------------|-----|-------|---|-----|--------|-----|-------|---|-----|--------|-----|-------|---|-----|--------|-----|-------|---|-----|--------|-----|-------|---|-----|---|-----|
| Led Count | Current & Watts | Distribution Type | 70CRI | | | | | | | | | | | | | | | | | | | | | | | | | | |
| | | | 27K | | | | | 30K | | | | | 35K | | | | | 40K | | | | | 50K | | | | | | |
| | | | Lumens | B | U | G | LPW | Lumens | B | U | G | LPW | Lumens | B | U | G | LPW | Lumens | B | U | G | LPW | Lumens | B | U | G | LPW | | |
| 96LD | 350 mA (98.6W) | T1 | 11459 | 1 | 0 | 2 | 116 | 11957 | 1 | 0 | 2 | 121 | 11957 | 1 | 0 | 2 | 121 | 11833 | 1 | 0 | 2 | 120 | 12456 | 1 | 0 | 2 | 126 | | |
| | | T2 | 10666 | 1 | 0 | 4 | 108 | 11130 | 1 | 0 | 4 | 113 | 11130 | 1 | 0 | 4 | 113 | 11014 | 1 | 0 | 4 | 112 | 11594 | 1 | 0 | 4 | 118 | | |
| | | T3R | 11658 | 1 | 0 | 4 | 118 | 12165 | 1 | 0 | 4 | 123 | 12165 | 1 | 0 | 4 | 123 | 12038 | 1 | 0 | 4 | 122 | 12672 | 1 | 0 | 4 | 129 | | |
| | | T3 | 11916 | 1 | 0 | 3 | 121 | 12434 | 1 | 0 | 3 | 126 | 12434 | 1 | 0 | 3 | 126 | 12305 | 1 | 0 | 3 | 125 | 12952 | 1 | 0 | 3 | 131 | | |
| | | T3W | 12182 | 1 | 0 | 3 | 124 | 12711 | 1 | 0 | 3 | 129 | 12711 | 1 | 0 | 3 | 129 | 12579 | 1 | 0 | 3 | 128 | 13241 | 1 | 0 | 3 | 134 | | |
| | | T3LG | 11872 | 1 | 0 | 2 | 120 | 12388 | 1 | 0 | 2 | 126 | 12388 | 1 | 0 | 2 | 126 | 12259 | 1 | 0 | 2 | 124 | 12905 | 1 | 0 | 2 | 131 | | |
| | | T4 | 11802 | 1 | 0 | 3 | 120 | 12315 | 1 | 0 | 3 | 125 | 12315 | 1 | 0 | 3 | 125 | 12187 | 1 | 0 | 3 | 124 | 12828 | 1 | 0 | 3 | 130 | | |
| | | T4A | 12641 | 2 | 0 | 3 | 128 | 13190 | 2 | 0 | 3 | 134 | 13190 | 2 | 0 | 3 | 134 | 13053 | 2 | 0 | 3 | 132 | 13740 | 2 | 0 | 3 | 139 | | |
| | | T4LG | 12673 | 1 | 0 | 2 | 129 | 13224 | 1 | 0 | 2 | 134 | 13224 | 1 | 0 | 2 | 134 | 13086 | 1 | 0 | 2 | 133 | 13775 | 1 | 0 | 2 | 140 | | |
| | | T4FT | 11170 | 3 | 0 | 3 | 113 | 11655 | 3 | 0 | 3 | 118 | 11655 | 3 | 0 | 3 | 118 | 11534 | 3 | 0 | 3 | 117 | 12141 | 3 | 0 | 3 | 123 | | |
| | | T5 | 10790 | 1 | 0 | 4 | 109 | 11259 | 1 | 0 | 4 | 114 | 11259 | 1 | 0 | 4 | 114 | 11142 | 1 | 0 | 4 | 113 | 11728 | 1 | 0 | 4 | 119 | | |
| | | T5LG | 11190 | 1 | 0 | 2 | 113 | 11677 | 1 | 0 | 2 | 118 | 11677 | 1 | 0 | 2 | 118 | 11555 | 1 | 0 | 2 | 117 | 12163 | 1 | 0 | 2 | 123 | | |
| | | T5W | 10366 | 1 | 0 | 4 | 105 | 10816 | 1 | 0 | 4 | 110 | 10816 | 1 | 0 | 4 | 110 | 10704 | 1 | 0 | 4 | 109 | 11267 | 1 | 0 | 4 | 114 | | |
| | | T5WW | 9785 | 1 | 0 | 4 | 99 | 10210 | 1 | 0 | 4 | 104 | 10210 | 1 | 0 | 4 | 104 | 10104 | 1 | 0 | 4 | 102 | 10635 | 1 | 0 | 4 | 108 | | |
| | | FN | 11784 | 3 | 0 | 3 | 120 | 12296 | 4 | 0 | 4 | 125 | 12296 | 4 | 0 | 4 | 125 | 12168 | 4 | 0 | 4 | 123 | 12809 | 4 | 0 | 4 | 130 | | |
| | | FM | 12011 | 3 | 0 | 4 | 122 | 12533 | 4 | 0 | 4 | 127 | 12533 | 4 | 0 | 4 | 127 | 12403 | 4 | 0 | 4 | 126 | 13056 | 4 | 0 | 4 | 132 | | |
| | | FW | 10944 | 2 | 0 | 4 | 111 | 11420 | 2 | 0 | 4 | 116 | 11420 | 2 | 0 | 4 | 116 | 11301 | 2 | 0 | 4 | 115 | 11896 | 2 | 0 | 4 | 121 | | |
| | | 96LD | 530 mA (152.1W) | T1 | 16946 | 1 | 0 | 3 | 111 | 17682 | 1 | 0 | 3 | 116 | 17682 | 1 | 0 | 3 | 116 | 17498 | 1 | 0 | 3 | 115 | 18419 | 1 | 0 | 3 | 121 |
| | | | | T2 | 15773 | 2 | 0 | 5 | 104 | 16459 | 2 | 0 | 5 | 108 | 16459 | 2 | 0 | 5 | 108 | 16287 | 2 | 0 | 5 | 107 | 17145 | 2 | 0 | 5 | 113 |
| | | | | T3R | 17239 | 1 | 0 | 5 | 113 | 17989 | 1 | 0 | 5 | 118 | 17989 | 1 | 0 | 5 | 118 | 17801 | 1 | 0 | 5 | 117 | 18738 | 1 | 0 | 5 | 123 |
| T3 | 17621 | | | 1 | 0 | 4 | 116 | 18387 | 1 | 0 | 4 | 121 | 18387 | 1 | 0 | 4 | 121 | 18196 | 1 | 0 | 4 | 120 | 19153 | 1 | 0 | 4 | 126 | | |
| T3W | 18014 | | | 2 | 0 | 4 | 118 | 18797 | 2 | 0 | 4 | 124 | 18797 | 2 | 0 | 4 | 124 | 18601 | 2 | 0 | 4 | 122 | 19580 | 2 | 0 | 4 | 129 | | |
| T3LG | 17556 | | | 2 | 0 | 3 | 115 | 18320 | 2 | 0 | 3 | 120 | 18320 | 2 | 0 | 3 | 120 | 18129 | 2 | 0 | 3 | 119 | 19083 | 2 | 0 | 3 | 125 | | |
| T4 | 17452 | | | 2 | 0 | 4 | 115 | 18211 | 2 | 0 | 4 | 120 | 18211 | 2 | 0 | 4 | 120 | 18021 | 2 | 0 | 4 | 119 | 18970 | 2 | 0 | 4 | 125 | | |
| T4A | 18693 | | | 2 | 0 | 4 | 123 | 19505 | 2 | 0 | 4 | 128 | 19505 | 2 | 0 | 4 | 128 | 19302 | 2 | 0 | 4 | 127 | 20318 | 2 | 0 | 4 | 134 | | |
| T4LG | 18741 | | | 2 | 0 | 3 | 123 | 19556 | 2 | 0 | 3 | 129 | 19556 | 2 | 0 | 3 | 129 | 19352 | 2 | 0 | 3 | 127 | 20370 | 2 | 0 | 3 | 134 | | |
| T4FT | 16517 | | | 3 | 0 | 3 | 109 | 17235 | 3 | 0 | 3 | 113 | 17235 | 3 | 0 | 3 | 113 | 17056 | 3 | 0 | 3 | 112 | 17953 | 3 | 0 | 3 | 118 | | |
| T5 | 15956 | | | 2 | 0 | 5 | 105 | 16650 | 2 | 0 | 5 | 109 | 16650 | 2 | 0 | 5 | 109 | 16476 | 2 | 0 | 5 | 108 | 17343 | 2 | 0 | 5 | 114 | | |
| T5LG | 16548 | | | 1 | 0 | 2 | 109 | 17267 | 1 | 0 | 2 | 114 | 17267 | 1 | 0 | 2 | 114 | 17087 | 1 | 0 | 2 | 112 | 17987 | 1 | 0 | 2 | 118 | | |
| T5W | 15328 | | | 2 | 0 | 5 | 101 | 15995 | 2 | 0 | 5 | 105 | 15995 | 2 | 0 | 5 | 105 | 15826 | 2 | 0 | 5 | 104 | 16661 | 2 | 0 | 5 | 110 | | |
| T5WW | 14469 | | | 1 | 0 | 5 | 95 | 15098 | 2 | 0 | 5 | 99 | 15098 | 2 | 0 | 5 | 99 | 14941 | 2 | 0 | 5 | 98 | 15727 | 2 | 0 | 5 | 103 | | |
| FN | 17426 | | | 4 | 0 | 4 | 115 | 18184 | 4 | 0 | 5 | 120 | 18184 | 4 | 0 | 5 | 120 | 17994 | 4 | 0 | 5 | 118 | 18941 | 4 | 0 | 5 | 125 | | |
| FM | 17762 | | | 4 | 0 | 5 | 117 | 18534 | 4 | 0 | 5 | 122 | 18534 | 4 | 0 | 5 | 122 | 18341 | 4 | 0 | 5 | 121 | 19306 | 4 | 0 | 5 | 127 | | |
| FW | 16184 | | | 2 | 0 | 5 | 106 | 16888 | 3 | 0 | 5 | 111 | 16888 | 3 | 0 | 5 | 111 | 16712 | 3 | 0 | 5 | 110 | 17592 | 3 | 0 | 5 | 116 | | |
| 96LD | 700 mA (203.8W) | | | T1 | 21564 | 1 | 0 | 4 | 106 | 22502 | 1 | 0 | 4 | 110 | 22502 | 1 | 0 | 4 | 110 | 22267 | 1 | 0 | 4 | 109 | 23439 | 1 | 0 | 4 | 115 |
| | | | | T2 | 20072 | 2 | 0 | 5 | 98 | 20944 | 2 | 0 | 5 | 103 | 20944 | 2 | 0 | 5 | 103 | 20726 | 2 | 0 | 5 | 102 | 21817 | 2 | 0 | 5 | 107 |
| | | | | T3R | 21938 | 2 | 0 | 5 | 108 | 22891 | 2 | 0 | 5 | 112 | 22891 | 2 | 0 | 5 | 112 | 22653 | 2 | 0 | 5 | 111 | 23845 | 2 | 0 | 5 | 117 |
| | | T3 | 22423 | 2 | 0 | 5 | 110 | 23398 | 2 | 0 | 5 | 115 | 23398 | 2 | 0 | 5 | 115 | 23155 | 2 | 0 | 5 | 114 | 24373 | 2 | 0 | 5 | 120 | | |
| | | T3W | 22923 | 2 | 0 | 5 | 112 | 23920 | 2 | 0 | 5 | 117 | 23920 | 2 | 0 | 5 | 117 | 23671 | 2 | 0 | 5 | 116 | 24917 | 2 | 0 | 5 | 122 | | |
| | | T3LG | 22341 | 2 | 0 | 3 | 110 | 23313 | 2 | 0 | 3 | 114 | 23313 | 2 | 0 | 3 | 114 | 23070 | 2 | 0 | 3 | 113 | 24284 | 2 | 0 | 3 | 119 | | |
| | | T4 | 22208 | 2 | 0 | 5 | 109 | 23174 | 2 | 0 | 5 | 114 | 23174 | 2 | 0 | 5 | 114 | 22933 | 2 | 0 | 5 | 112 | 24140 | 2 | 0 | 5 | 118 | | |
| | | T4A | 23787 | 3 | 0 | 5 | 117 | 24821 | 3 | 0 | 5 | 122 | 24821 | 3 | 0 | 5 | 122 | 24563 | 3 | 0 | 5 | 120 | 25856 | 3 | 0 | 5 | 127 | | |
| | | T4LG | 23848 | 2 | 0 | 4 | 117 | 24885 | 2 | 0 | 4 | 122 | 24885 | 2 | 0 | 4 | 122 | 24626 | 2 | 0 | 4 | 121 | 25922 | 2 | 0 | 4 | 127 | | |
| | | T4FT | 21019 | 3 | 0 | 4 | 103 | 21933 | 3 | 0 | 4 | 108 | 21933 | 3 | 0 | 4 | 108 | 21704 | 3 | 0 | 4 | 106 | 22846 | 3 | 0 | 4 | 112 | | |
| | | T5 | 20304 | 2 | 0 | 5 | 100 | 21187 | 2 | 0 | 5 | 104 | 21187 | 2 | 0 | 5 | 104 | 20966 | 2 | 0 | 5 | 103 | 22070 | 2 | 0 | 5 | 108 | | |
| | | T5LG | 21058 | 2 | 0 | 3 | 103 | 21973 | 2 | 0 | 3 | 108 | 21973 | 2 | 0 | 3 | 108 | 21744 | 2 | 0 | 3 | 107 | 22889 | 2 | 0 | 3 | 112 | | |
| | | T5W | 19506 | 2 | 0 | 5 | 96 | 20354 | 2 | 0 | 5 | 100 | 20354 | 2 | 0 | 5 | 100 | 20142 | 2 | 0 | 5 | 99 | 21202 | 2 | 0 | 5 | 104 | | |
| | | T5WW | 18413 | 2 | 0 | 5 | 90 | 19213 | 2 | 0 | 5 | 94 | 19213 | 2 | 0 | 5 | 94 | 19013 | 2 | 0 | 5 | 93 | 20014 | 2 | 0 | 5 | 98 | | |
| | | FN | 22175 | 4 | 0 | 5 | 109 | 23139 | 4 | 0 | 5 | 114 | 23139 | 4 | 0 | 5 | 114 | 22898 | 4 | 0 | 5 | 112 | 24104 | 4 | 0 | 5 | 118 | | |
| | | FM | 22603 | 4 | 0 | 5 | 111 | 23585 | 4 | 0 | 5 | 116 | 23585 | 4 | 0 | 5 | 116 | 23340 | 4 | 0 | 5 | 114 | 24568 | 4 | 0 | 5 | 121 | | |
| | | FW | 20595 | 3 | 0 | 5 | 101 | 21490 | 3 | 0 | 5 | 105 | 21490 | 3 | 0 | 5 | 105 | 21267 | 3 | 0 | 5 | 104 | 22386 | 3 | 0 | 5 | 110 | | |
| | | 96LD | 1050 mA (314.4W) | T1 | 29060 | 2 | 0 | 4 | 92 | 30323 | 2 | 0 | 4 | 96 | 30323 | 2 | 0 | 4 | 96 | 30007 | 2 | 0 | 4 | 95 | 31587 | 2 | 0 | 4 | 100 |
| | | | | T2 | 27049 | 2 | 0 | 5 | 86 | 28225 | 2 | 0 | 5 | 90 | 28225 | 2 | 0 | 5 | 90 | 27931 | 2 | 0 | 5 | 89 | 29401 | 2 | 0 | 5 | 94 |
| | | | | T3R | 29563 | 2 | 0 | 5 | 94 | 30849 | 2 | 0 | 5 | 98 | 30849 | 2 | 0 | 5 | 98 | 30527 | 2 | 0 | 5 | 97 | 3213 | | | | |

| VLX-1-BHS LED SPECIFICATIONS / Forward Optics | | | | | | | | | | | | | | | | | | | | | | | | | | | | | |
|---|-----------------|-------------------|------------------|-----|-------|---|-----|--------|-----|-------|---|-----|--------|-----|-------|---|-----|--------|-----|-------|---|-----|--------|-----|-------|---|-----|---|-----|
| Lcd Count | Current & Watts | Distribution Type | 70CRI | | | | | | | | | | | | | | | | | | | | | | | | | | |
| | | | 27K | | | | | 30K | | | | | 35K | | | | | 40K | | | | | 50K | | | | | | |
| | | | Lumens | B | U | G | LPW | Lumens | B | U | G | LPW | Lumens | B | U | G | LPW | Lumens | B | U | G | LPW | Lumens | B | U | G | LPW | | |
| 128LD | 350 mA (131.5W) | T1 | 15094 | 1 | 0 | 3 | 115 | 15750 | 1 | 0 | 3 | 120 | 15750 | 1 | 0 | 3 | 120 | 15586 | 1 | 0 | 3 | 119 | 16406 | 1 | 0 | 3 | 125 | | |
| | | T2 | 14049 | 1 | 0 | 4 | 107 | 14660 | 2 | 0 | 5 | 111 | 14660 | 2 | 0 | 5 | 111 | 14507 | 2 | 0 | 5 | 110 | 16021 | 2 | 0 | 5 | 116 | | |
| | | T3R | 15355 | 1 | 0 | 4 | 117 | 16023 | 1 | 0 | 4 | 122 | 16023 | 1 | 0 | 4 | 122 | 15856 | 1 | 0 | 4 | 121 | 16691 | 1 | 0 | 4 | 127 | | |
| | | T3 | 15695 | 1 | 0 | 4 | 119 | 16378 | 1 | 0 | 4 | 125 | 16378 | 1 | 0 | 4 | 125 | 16207 | 1 | 0 | 4 | 123 | 17060 | 1 | 0 | 4 | 130 | | |
| | | T3W | 16045 | 2 | 0 | 4 | 122 | 16743 | 2 | 0 | 4 | 127 | 16743 | 2 | 0 | 4 | 127 | 16569 | 2 | 0 | 4 | 126 | 17441 | 2 | 0 | 4 | 133 | | |
| | | T3LG | 15638 | 1 | 0 | 3 | 119 | 16318 | 1 | 0 | 3 | 124 | 16318 | 1 | 0 | 3 | 124 | 16148 | 1 | 0 | 3 | 123 | 16996 | 1 | 0 | 3 | 129 | | |
| | | T4 | 15545 | 1 | 0 | 4 | 118 | 16221 | 1 | 0 | 4 | 123 | 16221 | 1 | 0 | 4 | 123 | 16052 | 1 | 0 | 4 | 122 | 16897 | 1 | 0 | 4 | 128 | | |
| | | T4A | 16650 | 2 | 0 | 4 | 127 | 17374 | 2 | 0 | 4 | 132 | 17374 | 2 | 0 | 4 | 132 | 17193 | 2 | 0 | 4 | 131 | 18096 | 2 | 0 | 4 | 138 | | |
| | | T4LG | 16693 | 1 | 0 | 3 | 127 | 17419 | 1 | 0 | 3 | 132 | 17419 | 1 | 0 | 3 | 132 | 17237 | 1 | 0 | 3 | 131 | 18144 | 1 | 0 | 3 | 138 | | |
| | | T4FT | 14712 | 3 | 0 | 3 | 112 | 15352 | 3 | 0 | 3 | 117 | 15352 | 3 | 0 | 3 | 117 | 15192 | 3 | 0 | 3 | 116 | 15992 | 3 | 0 | 3 | 122 | | |
| | | T5 | 14212 | 2 | 0 | 5 | 108 | 14830 | 2 | 0 | 5 | 113 | 14830 | 2 | 0 | 5 | 113 | 14676 | 2 | 0 | 5 | 112 | 15448 | 2 | 0 | 5 | 117 | | |
| | | T5LG | 14739 | 1 | 0 | 2 | 112 | 15380 | 1 | 0 | 2 | 117 | 15380 | 1 | 0 | 2 | 117 | 15220 | 1 | 0 | 2 | 116 | 16021 | 1 | 0 | 2 | 122 | | |
| | | T5W | 13653 | 2 | 0 | 5 | 104 | 14247 | 2 | 0 | 5 | 108 | 14247 | 2 | 0 | 5 | 108 | 14099 | 2 | 0 | 5 | 107 | 14841 | 2 | 0 | 5 | 113 | | |
| | | T5WW | 12888 | 1 | 0 | 5 | 98 | 13448 | 1 | 0 | 5 | 102 | 13448 | 1 | 0 | 5 | 102 | 13308 | 1 | 0 | 5 | 101 | 14009 | 1 | 0 | 5 | 107 | | |
| | | FN | 15522 | 4 | 0 | 4 | 118 | 16197 | 4 | 0 | 4 | 123 | 16197 | 4 | 0 | 4 | 123 | 16028 | 4 | 0 | 4 | 122 | 16871 | 4 | 0 | 4 | 128 | | |
| | | FM | 15821 | 4 | 0 | 4 | 120 | 16509 | 4 | 0 | 4 | 126 | 16509 | 4 | 0 | 4 | 126 | 16337 | 4 | 0 | 4 | 124 | 17197 | 4 | 0 | 4 | 131 | | |
| | | FW | 14416 | 2 | 0 | 5 | 110 | 15042 | 2 | 0 | 5 | 114 | 15042 | 2 | 0 | 5 | 114 | 14886 | 2 | 0 | 5 | 113 | 15669 | 2 | 0 | 5 | 119 | | |
| | | 128LD | 530 mA (202.8W) | T1 | 22315 | 1 | 0 | 4 | 110 | 23285 | 1 | 0 | 4 | 115 | 23285 | 1 | 0 | 4 | 115 | 23042 | 1 | 0 | 4 | 114 | 24255 | 1 | 0 | 4 | 120 |
| | | | | T2 | 20770 | 2 | 0 | 5 | 102 | 21673 | 2 | 0 | 5 | 107 | 21673 | 2 | 0 | 5 | 107 | 21448 | 2 | 0 | 5 | 106 | 22577 | 2 | 0 | 5 | 111 |
| | | | | T3R | 22701 | 2 | 0 | 5 | 112 | 23688 | 2 | 0 | 5 | 117 | 23688 | 2 | 0 | 5 | 117 | 23442 | 2 | 0 | 5 | 116 | 24675 | 2 | 0 | 5 | 122 |
| T3 | 23904 | | | 2 | 0 | 5 | 114 | 24213 | 2 | 0 | 5 | 119 | 24213 | 2 | 0 | 5 | 119 | 23961 | 2 | 0 | 5 | 118 | 25222 | 2 | 0 | 5 | 124 | | |
| T3W | 23721 | | | 2 | 0 | 5 | 117 | 24753 | 2 | 0 | 5 | 122 | 24753 | 2 | 0 | 5 | 122 | 24495 | 2 | 0 | 5 | 121 | 25784 | 2 | 0 | 5 | 127 | | |
| T3LG | 23119 | | | 2 | 0 | 3 | 114 | 24124 | 2 | 0 | 3 | 119 | 24124 | 2 | 0 | 3 | 119 | 23873 | 2 | 0 | 3 | 118 | 25129 | 2 | 0 | 3 | 124 | | |
| T4 | 22981 | | | 2 | 0 | 5 | 113 | 23981 | 2 | 0 | 5 | 118 | 23981 | 2 | 0 | 5 | 118 | 23731 | 2 | 0 | 5 | 117 | 24960 | 2 | 0 | 5 | 123 | | |
| T4A | 24615 | | | 3 | 0 | 5 | 121 | 25685 | 3 | 0 | 5 | 127 | 25685 | 3 | 0 | 5 | 127 | 25418 | 3 | 0 | 5 | 125 | 26756 | 3 | 0 | 5 | 132 | | |
| T4LG | 24678 | | | 2 | 0 | 4 | 122 | 25751 | 2 | 0 | 4 | 127 | 25751 | 2 | 0 | 4 | 127 | 25483 | 2 | 0 | 4 | 126 | 26824 | 2 | 0 | 4 | 132 | | |
| T4FT | 21750 | | | 3 | 0 | 4 | 107 | 22696 | 3 | 0 | 4 | 112 | 22696 | 3 | 0 | 4 | 112 | 22460 | 3 | 0 | 4 | 111 | 23642 | 3 | 0 | 4 | 117 | | |
| T5 | 21011 | | | 2 | 0 | 5 | 104 | 21925 | 2 | 0 | 5 | 108 | 21925 | 2 | 0 | 5 | 108 | 21696 | 2 | 0 | 5 | 107 | 22838 | 2 | 0 | 5 | 113 | | |
| T5LG | 21791 | | | 2 | 0 | 3 | 107 | 22738 | 2 | 0 | 3 | 112 | 22738 | 2 | 0 | 3 | 112 | 22501 | 2 | 0 | 3 | 111 | 23686 | 2 | 0 | 3 | 117 | | |
| T5W | 20185 | | | 2 | 0 | 5 | 100 | 21063 | 2 | 0 | 5 | 104 | 21063 | 2 | 0 | 5 | 104 | 20843 | 2 | 0 | 5 | 103 | 21940 | 2 | 0 | 5 | 108 | | |
| T5WW | 19054 | | | 2 | 0 | 5 | 94 | 19882 | 2 | 0 | 5 | 98 | 19882 | 2 | 0 | 5 | 98 | 19675 | 2 | 0 | 5 | 97 | 20710 | 2 | 0 | 5 | 102 | | |
| FN | 22947 | | | 4 | 0 | 5 | 113 | 23945 | 4 | 0 | 5 | 118 | 23945 | 4 | 0 | 5 | 118 | 23695 | 4 | 0 | 5 | 117 | 24943 | 5 | 0 | 5 | 123 | | |
| FM | 23389 | | | 4 | 0 | 5 | 115 | 24406 | 4 | 0 | 5 | 120 | 24406 | 4 | 0 | 5 | 120 | 24152 | 4 | 0 | 5 | 119 | 25423 | 5 | 0 | 5 | 125 | | |
| FW | 21312 | | | 3 | 0 | 5 | 105 | 22236 | 3 | 0 | 5 | 110 | 22236 | 3 | 0 | 5 | 110 | 22007 | 3 | 0 | 5 | 109 | 23165 | 3 | 0 | 5 | 114 | | |
| 128LD | 700 mA (271.8W) | | | T1 | 28396 | 1 | 0 | 4 | 104 | 29631 | 2 | 0 | 4 | 109 | 29631 | 2 | 0 | 4 | 109 | 29322 | 2 | 0 | 4 | 108 | 30665 | 2 | 0 | 4 | 114 |
| | | | | T2 | 26431 | 2 | 0 | 5 | 97 | 27580 | 2 | 0 | 5 | 101 | 27580 | 2 | 0 | 5 | 101 | 27293 | 2 | 0 | 5 | 100 | 28729 | 3 | 0 | 5 | 106 |
| | | | | T3R | 28888 | 2 | 0 | 5 | 106 | 30144 | 2 | 0 | 5 | 111 | 30144 | 2 | 0 | 5 | 111 | 29830 | 2 | 0 | 5 | 110 | 31400 | 2 | 0 | 5 | 116 |
| | | T3 | 29528 | 2 | 0 | 5 | 109 | 30812 | 2 | 0 | 5 | 113 | 30812 | 2 | 0 | 5 | 113 | 30491 | 2 | 0 | 5 | 112 | 32096 | 2 | 0 | 5 | 118 | | |
| | | T3W | 30186 | 3 | 0 | 5 | 111 | 31499 | 3 | 0 | 5 | 116 | 31499 | 3 | 0 | 5 | 116 | 31171 | 3 | 0 | 5 | 115 | 32811 | 3 | 0 | 5 | 121 | | |
| | | T3LG | 29420 | 2 | 0 | 4 | 108 | 30699 | 2 | 0 | 4 | 113 | 30699 | 2 | 0 | 4 | 113 | 30379 | 2 | 0 | 4 | 112 | 31978 | 2 | 0 | 4 | 118 | | |
| | | T4 | 29245 | 2 | 0 | 5 | 108 | 30516 | 2 | 0 | 5 | 112 | 30516 | 2 | 0 | 5 | 112 | 30198 | 2 | 0 | 5 | 111 | 31788 | 2 | 0 | 5 | 117 | | |
| | | T4A | 31324 | 3 | 0 | 5 | 115 | 32686 | 3 | 0 | 5 | 120 | 32686 | 3 | 0 | 5 | 120 | 32345 | 3 | 0 | 5 | 119 | 34048 | 3 | 0 | 5 | 125 | | |
| | | T4LG | 31404 | 2 | 0 | 4 | 116 | 32770 | 2 | 0 | 4 | 121 | 32770 | 2 | 0 | 4 | 121 | 32428 | 2 | 0 | 4 | 119 | 34135 | 2 | 0 | 4 | 126 | | |
| | | T4FT | 27678 | 4 | 0 | 5 | 102 | 28882 | 4 | 0 | 5 | 106 | 28882 | 4 | 0 | 5 | 106 | 28581 | 4 | 0 | 5 | 105 | 30085 | 4 | 0 | 5 | 111 | | |
| | | T5 | 26737 | 3 | 0 | 5 | 98 | 27900 | 3 | 0 | 5 | 103 | 27900 | 3 | 0 | 5 | 103 | 27609 | 3 | 0 | 5 | 102 | 29062 | 3 | 0 | 5 | 107 | | |
| | | T5LG | 27729 | 2 | 0 | 3 | 102 | 28935 | 2 | 0 | 3 | 106 | 28935 | 2 | 0 | 3 | 106 | 28634 | 2 | 0 | 3 | 105 | 30141 | 2 | 0 | 3 | 111 | | |
| | | T5W | 25686 | 3 | 0 | 5 | 95 | 26803 | 3 | 0 | 5 | 99 | 26803 | 3 | 0 | 5 | 99 | 26524 | 3 | 0 | 5 | 98 | 27920 | 3 | 0 | 5 | 103 | | |
| | | T5WW | 24246 | 2 | 0 | 5 | 89 | 25301 | 2 | 0 | 5 | 93 | 25301 | 2 | 0 | 5 | 93 | 25037 | 2 | 0 | 5 | 92 | 26355 | 2 | 0 | 5 | 97 | | |
| | | FN | 29201 | 5 | 0 | 5 | 107 | 30471 | 5 | 0 | 5 | 112 | 30471 | 5 | 0 | 5 | 112 | 30153 | 5 | 0 | 5 | 111 | 31740 | 5 | 0 | 5 | 117 | | |
| | | FM | 29764 | 5 | 0 | 5 | 110 | 31058 | 5 | 0 | 5 | 114 | 31058 | 5 | 0 | 5 | 114 | 30734 | 5 | 0 | 5 | 113 | 32352 | 5 | 0 | 5 | 119 | | |
| | | FW | 27120 | 3 | 0 | 5 | 100 | 28299 | 3 | 0 | 5 | 104 | 28299 | 3 | 0 | 5 | 104 | 28005 | 3 | 0 | 5 | 103 | 29478 | 3 | 0 | 5 | 108 | | |
| | | 128LD | 1050 mA (419.2W) | T1 | 38267 | 2 | 0 | 5 | 91 | 39930 | 2 | 0 | 5 | 95 | 39930 | 2 | 0 | 5 | 95 | 39515 | 2 | 0 | 5 | 94 | 41594 | 2 | 0 | 5 | 99 |
| | | | | T2 | 35619 | 3 | 0 | 5 | 85 | 37167 | 3 | 0 | 5 | 89 | 37167 | 3 | 0 | 5 | 89 | 36780 | 3 | 0 | 5 | 88 | 38716 | 3 | 0 | 5 | 92 |
| | | | | T3R | 38930 | 2 | 0 | 5 | 93 | 40623 | 3 | 0 | 5 | 97 | 40623 | 3 | 0 | 5 | 97 | 40199 | 3 | 0 | 5 | 96 | 4 | | | | |

| VLX-1-BHS LED SPECIFICATIONS / Forward Optics | | | | | | | | | | | | | | | | | | | | | | | | | | | | | |
|---|-----------------|-------------------|------------------|-----|-------|---|-----|--------|-----|-------|-----|-----|--------|-----|-------|---|-----|--------|-----|-------|---|-----|-------|-----|-------|---|-----|---|-----|
| Led Count | Current & Watts | Distribution Type | 70CRI | | | | | | | | | | | | | | | | | | | | | | | | | | |
| | | | 27K | | | | 30K | | | | 35K | | | | 40K | | | | 50K | | | | | | | | | | |
| | | | Lumens | B | U | G | LPW | Lumens | B | U | G | LPW | Lumens | B | U | G | LPW | Lumens | B | U | G | LPW | | | | | | | |
| 160LD | 350 mA (164.3W) | T1 | 18738 | 1 | 0 | 3 | 114 | 19553 | 1 | 0 | 3 | 119 | 19553 | 1 | 0 | 3 | 119 | 19349 | 1 | 0 | 3 | 118 | 20368 | 1 | 0 | 4 | 124 | | |
| | | T2 | 17442 | 2 | 0 | 5 | 106 | 18200 | 2 | 0 | 5 | 111 | 18200 | 2 | 0 | 5 | 111 | 18010 | 2 | 0 | 5 | 110 | 18958 | 2 | 0 | 5 | 115 | | |
| | | T3R | 19063 | 1 | 0 | 5 | 116 | 19892 | 2 | 0 | 5 | 121 | 19892 | 2 | 0 | 5 | 121 | 19685 | 2 | 0 | 5 | 120 | 20721 | 2 | 0 | 5 | 126 | | |
| | | T3 | 19485 | 2 | 0 | 4 | 119 | 20332 | 2 | 0 | 5 | 124 | 20332 | 2 | 0 | 5 | 124 | 20121 | 2 | 0 | 5 | 122 | 21180 | 2 | 0 | 5 | 129 | | |
| | | T3W | 19920 | 2 | 0 | 5 | 121 | 20786 | 2 | 0 | 5 | 126 | 20786 | 2 | 0 | 5 | 126 | 20569 | 2 | 0 | 5 | 125 | 21652 | 2 | 0 | 5 | 132 | | |
| | | T3LG | 19414 | 2 | 0 | 3 | 118 | 20258 | 2 | 0 | 3 | 123 | 20258 | 2 | 0 | 3 | 123 | 20047 | 2 | 0 | 3 | 122 | 21102 | 2 | 0 | 3 | 128 | | |
| | | T4 | 19298 | 2 | 0 | 4 | 117 | 20137 | 2 | 0 | 5 | 123 | 20137 | 2 | 0 | 5 | 123 | 19928 | 2 | 0 | 4 | 121 | 20976 | 2 | 0 | 5 | 128 | | |
| | | T4A | 20670 | 2 | 0 | 4 | 126 | 21569 | 2 | 0 | 4 | 131 | 21569 | 2 | 0 | 4 | 131 | 21344 | 2 | 0 | 4 | 130 | 22468 | 3 | 0 | 5 | 137 | | |
| | | T4LG | 20723 | 2 | 0 | 3 | 126 | 21624 | 2 | 0 | 3 | 132 | 21624 | 2 | 0 | 3 | 132 | 21399 | 2 | 0 | 3 | 130 | 22525 | 2 | 0 | 3 | 137 | | |
| | | T4FT | 18265 | 3 | 0 | 4 | 111 | 19059 | 3 | 0 | 4 | 116 | 19059 | 3 | 0 | 4 | 116 | 18860 | 3 | 0 | 4 | 115 | 19853 | 3 | 0 | 4 | 121 | | |
| | | T5 | 17644 | 2 | 0 | 5 | 107 | 18411 | 2 | 0 | 5 | 112 | 18411 | 2 | 0 | 5 | 112 | 18219 | 2 | 0 | 5 | 111 | 19178 | 2 | 0 | 5 | 117 | | |
| | | T5LG | 18298 | 1 | 0 | 2 | 111 | 19094 | 1 | 0 | 2 | 116 | 19094 | 1 | 0 | 2 | 116 | 18895 | 1 | 0 | 2 | 115 | 19690 | 1 | 0 | 3 | 121 | | |
| | | T5W | 16950 | 2 | 0 | 5 | 103 | 17687 | 2 | 0 | 5 | 108 | 17687 | 2 | 0 | 5 | 108 | 17503 | 2 | 0 | 5 | 107 | 18424 | 2 | 0 | 5 | 112 | | |
| | | T5WW | 16000 | 2 | 0 | 5 | 97 | 16696 | 2 | 0 | 5 | 102 | 16696 | 2 | 0 | 5 | 102 | 16522 | 2 | 0 | 5 | 101 | 17391 | 2 | 0 | 5 | 106 | | |
| | | FN | 19270 | 4 | 0 | 5 | 117 | 20107 | 4 | 0 | 5 | 122 | 20107 | 4 | 0 | 5 | 122 | 19898 | 4 | 0 | 5 | 121 | 20945 | 4 | 0 | 5 | 127 | | |
| | | FM | 19641 | 4 | 0 | 5 | 120 | 20495 | 4 | 0 | 5 | 125 | 20495 | 4 | 0 | 5 | 125 | 20291 | 4 | 0 | 5 | 123 | 21349 | 4 | 0 | 5 | 130 | | |
| | | FW | 17896 | 3 | 0 | 5 | 109 | 18674 | 3 | 0 | 5 | 114 | 18674 | 3 | 0 | 5 | 114 | 18480 | 3 | 0 | 5 | 112 | 19453 | 3 | 0 | 5 | 118 | | |
| | | 160LD | 530 mA (253.5W) | T1 | 27710 | 1 | 0 | 4 | 109 | 28915 | 1 | 0 | 4 | 114 | 28915 | 1 | 0 | 4 | 114 | 28613 | 1 | 0 | 4 | 113 | 30119 | 2 | 0 | 4 | 119 |
| | | | | T2 | 25792 | 2 | 0 | 5 | 102 | 26914 | 2 | 0 | 5 | 106 | 26914 | 2 | 0 | 5 | 106 | 26633 | 2 | 0 | 5 | 105 | 28035 | 2 | 0 | 5 | 111 |
| | | | | T3R | 28190 | 2 | 0 | 5 | 111 | 29416 | 2 | 0 | 5 | 116 | 29416 | 2 | 0 | 5 | 116 | 29109 | 2 | 0 | 5 | 115 | 30641 | 2 | 0 | 5 | 121 |
| T3 | 28814 | | | 2 | 0 | 5 | 114 | 30067 | 2 | 0 | 5 | 119 | 30067 | 2 | 0 | 5 | 119 | 29754 | 2 | 0 | 5 | 117 | 31320 | 2 | 0 | 5 | 124 | | |
| T3W | 29457 | | | 3 | 0 | 5 | 116 | 30737 | 3 | 0 | 5 | 121 | 30737 | 3 | 0 | 5 | 121 | 30417 | 3 | 0 | 5 | 120 | 32018 | 3 | 0 | 5 | 126 | | |
| T3LG | 28709 | | | 2 | 0 | 4 | 113 | 29957 | 2 | 0 | 4 | 118 | 29957 | 2 | 0 | 4 | 118 | 29645 | 2 | 0 | 4 | 117 | 31205 | 2 | 0 | 4 | 123 | | |
| T4 | 28538 | | | 2 | 0 | 5 | 113 | 29779 | 2 | 0 | 5 | 117 | 29779 | 2 | 0 | 5 | 117 | 29468 | 2 | 0 | 5 | 116 | 31019 | 2 | 0 | 5 | 122 | | |
| T4A | 30567 | | | 3 | 0 | 5 | 121 | 31896 | 3 | 0 | 5 | 126 | 31896 | 3 | 0 | 5 | 126 | 31563 | 3 | 0 | 5 | 125 | 33225 | 3 | 0 | 5 | 131 | | |
| T4LG | 30645 | | | 2 | 0 | 4 | 121 | 31978 | 2 | 0 | 4 | 126 | 31978 | 2 | 0 | 4 | 126 | 31645 | 2 | 0 | 4 | 125 | 33310 | 2 | 0 | 4 | 131 | | |
| T4FT | 27009 | | | 3 | 0 | 5 | 107 | 28184 | 4 | 0 | 5 | 111 | 28184 | 4 | 0 | 5 | 111 | 27890 | 4 | 0 | 5 | 110 | 29358 | 4 | 0 | 5 | 116 | | |
| T5 | 26091 | | | 3 | 0 | 5 | 103 | 27226 | 3 | 0 | 5 | 107 | 27226 | 3 | 0 | 5 | 107 | 26942 | 3 | 0 | 5 | 106 | 28360 | 3 | 0 | 5 | 112 | | |
| T5LG | 27059 | | | 2 | 0 | 3 | 107 | 28236 | 2 | 0 | 3 | 111 | 28236 | 2 | 0 | 3 | 111 | 27942 | 2 | 0 | 3 | 110 | 29412 | 2 | 0 | 3 | 116 | | |
| T5W | 25065 | | | 2 | 0 | 5 | 99 | 26155 | 3 | 0 | 5 | 103 | 26155 | 3 | 0 | 5 | 103 | 25883 | 3 | 0 | 5 | 102 | 27245 | 3 | 0 | 5 | 107 | | |
| T5WW | 23660 | | | 2 | 0 | 5 | 93 | 24689 | 2 | 0 | 5 | 97 | 24689 | 2 | 0 | 5 | 97 | 24432 | 2 | 0 | 5 | 96 | 25718 | 2 | 0 | 5 | 101 | | |
| FN | 28495 | | | 5 | 0 | 5 | 112 | 29734 | 5 | 0 | 5 | 117 | 29734 | 5 | 0 | 5 | 117 | 29425 | 5 | 0 | 5 | 116 | 30973 | 5 | 0 | 5 | 122 | | |
| FM | 29045 | | | 5 | 0 | 5 | 115 | 30307 | 5 | 0 | 5 | 120 | 30307 | 5 | 0 | 5 | 120 | 29992 | 5 | 0 | 5 | 118 | 31570 | 5 | 0 | 5 | 125 | | |
| FW | 26465 | | | 3 | 0 | 5 | 104 | 27615 | 3 | 0 | 5 | 109 | 27615 | 3 | 0 | 5 | 109 | 27328 | 3 | 0 | 5 | 108 | 28766 | 3 | 0 | 5 | 113 | | |
| 160LD | 700 mA (339.7W) | | | T1 | 35262 | 2 | 0 | 5 | 104 | 36795 | 2 | 0 | 5 | 108 | 36795 | 2 | 0 | 5 | 108 | 36412 | 2 | 0 | 5 | 107 | 38328 | 2 | 0 | 5 | 113 |
| | | | | T2 | 32822 | 3 | 0 | 5 | 97 | 34249 | 3 | 0 | 5 | 101 | 34249 | 3 | 0 | 5 | 101 | 33892 | 3 | 0 | 5 | 100 | 35676 | 3 | 0 | 5 | 105 |
| | | | | T3R | 35873 | 2 | 0 | 5 | 106 | 37433 | 2 | 0 | 5 | 110 | 37433 | 2 | 0 | 5 | 110 | 37043 | 2 | 0 | 5 | 109 | 38992 | 2 | 0 | 5 | 115 |
| | | T3 | 36667 | 2 | 0 | 5 | 108 | 38261 | 2 | 0 | 5 | 113 | 38261 | 2 | 0 | 5 | 113 | 37863 | 2 | 0 | 5 | 111 | 39656 | 3 | 0 | 5 | 117 | | |
| | | T3W | 37485 | 3 | 0 | 5 | 110 | 39115 | 3 | 0 | 5 | 115 | 39115 | 3 | 0 | 5 | 115 | 38707 | 3 | 0 | 5 | 114 | 40744 | 3 | 0 | 5 | 120 | | |
| | | T3LG | 36533 | 3 | 0 | 4 | 108 | 38121 | 3 | 0 | 4 | 112 | 38121 | 3 | 0 | 4 | 112 | 37724 | 3 | 0 | 4 | 111 | 39710 | 3 | 0 | 4 | 117 | | |
| | | T4 | 36316 | 3 | 0 | 5 | 107 | 37894 | 3 | 0 | 5 | 112 | 37894 | 3 | 0 | 5 | 112 | 37500 | 3 | 0 | 5 | 110 | 39473 | 3 | 0 | 5 | 116 | | |
| | | T4A | 38897 | 3 | 0 | 5 | 114 | 40588 | 3 | 0 | 5 | 119 | 40588 | 3 | 0 | 5 | 119 | 40166 | 3 | 0 | 5 | 118 | 42280 | 3 | 0 | 5 | 124 | | |
| | | T4LG | 38997 | 3 | 0 | 5 | 115 | 40693 | 3 | 0 | 5 | 120 | 40693 | 3 | 0 | 5 | 120 | 40269 | 3 | 0 | 5 | 119 | 42388 | 3 | 0 | 5 | 125 | | |
| | | T4FT | 34370 | 4 | 0 | 5 | 101 | 35865 | 4 | 0 | 5 | 106 | 35865 | 4 | 0 | 5 | 106 | 35491 | 4 | 0 | 5 | 104 | 37359 | 4 | 0 | 5 | 110 | | |
| | | T5 | 33202 | 3 | 0 | 5 | 98 | 34646 | 3 | 0 | 5 | 102 | 34646 | 3 | 0 | 5 | 102 | 34295 | 3 | 0 | 5 | 101 | 36089 | 3 | 0 | 5 | 106 | | |
| | | T5LG | 34434 | 2 | 0 | 4 | 101 | 35931 | 2 | 0 | 4 | 106 | 35931 | 2 | 0 | 4 | 106 | 35557 | 2 | 0 | 4 | 105 | 37428 | 2 | 0 | 4 | 110 | | |
| | | T5W | 31897 | 3 | 0 | 5 | 94 | 33283 | 3 | 0 | 5 | 98 | 33283 | 3 | 0 | 5 | 98 | 32937 | 3 | 0 | 5 | 97 | 34670 | 3 | 0 | 5 | 102 | | |
| | | T5WW | 30109 | 3 | 0 | 5 | 89 | 31418 | 3 | 0 | 5 | 92 | 31418 | 3 | 0 | 5 | 92 | 31090 | 3 | 0 | 5 | 92 | 32727 | 3 | 0 | 5 | 96 | | |
| | | FN | 36261 | 5 | 0 | 5 | 107 | 37838 | 5 | 0 | 5 | 111 | 37838 | 5 | 0 | 5 | 111 | 37444 | 5 | 0 | 5 | 110 | 39415 | 5 | 0 | 5 | 116 | | |
| | | FM | 36960 | 5 | 0 | 5 | 109 | 38567 | 5 | 0 | 5 | 114 | 38567 | 5 | 0 | 5 | 114 | 38165 | 5 | 0 | 5 | 112 | 40174 | 5 | 0 | 5 | 118 | | |
| | | FW | 33677 | 3 | 0 | 5 | 99 | 35142 | 3 | 0 | 5 | 103 | 35142 | 3 | 0 | 5 | 103 | 34775 | 3 | 0 | 5 | 102 | 36606 | 3 | 0 | 5 | 108 | | |
| | | 160LD | 1050 mA (524.0W) | T1 | 47519 | 2 | 0 | 5 | 91 | 49585 | 2 | 0 | 5 | 95 | 49585 | 2 | 0 | 5 | 95 | 49068 | 2 | 0 | 5 | 94 | 51651 | 2 | 0 | 5 | 99 |
| | | | | T2 | 44231 | 3 | 0 | 5 | 84 | 46154 | 3 | 0 | 5 | 88 | 46154 | 3 | 0 | 5 | 88 | 45673 | 3 | 0 | 5 | 87 | 48077 | 3 | 0 | 5 | 92 |
| | | | | T3R | 48342 | 3 | 0 | 5 | 92 | 50444 | 3 | 0 | 5 | 96 | 50444 | 3 | 0 | 5 | 96 | 49919 | 3 | 0 | 5 | 95 | 52546 | 3 | 0 | 5 | 100 |

| VLX-1-BHS LED SPECIFICATIONS / Forward Optics | | | | | | | | | | | | | | | | | | | | | | | | | | | | | |
|---|-----------------|-------------------|------------------|-----|-------|---|-----|--------|-----|-------|---|-----|--------|-----|-------|---|-----|--------|-----|-------|---|-----|--------|-----|-------|---|-----|---|-----|
| Led Count | Current & Watts | Distribution Type | 70CRI | | | | | | | | | | | | | | | | | | | | | | | | | | |
| | | | 27K | | | | | 30K | | | | | 35K | | | | | 40K | | | | | 50K | | | | | | |
| | | | Lumens | B | U | G | LPW | Lumens | B | U | G | LPW | Lumens | B | U | G | LPW | Lumens | B | U | G | LPW | Lumens | B | U | G | LPW | | |
| 192LD | 350 mA (197.2W) | T1 | 22197 | 1 | 0 | 4 | 113 | 23162 | 1 | 0 | 4 | 117 | 23162 | 1 | 0 | 4 | 117 | 22921 | 1 | 0 | 4 | 116 | 24127 | 1 | 0 | 4 | 122 | | |
| | | T2 | 20661 | 2 | 0 | 5 | 105 | 21559 | 2 | 0 | 5 | 109 | 21559 | 2 | 0 | 5 | 109 | 21335 | 2 | 0 | 5 | 108 | 22458 | 2 | 0 | 5 | 114 | | |
| | | T3R | 22582 | 2 | 0 | 5 | 115 | 23564 | 2 | 0 | 5 | 119 | 23564 | 2 | 0 | 5 | 119 | 23318 | 2 | 0 | 5 | 118 | 24545 | 2 | 0 | 5 | 124 | | |
| | | T3 | 23082 | 2 | 0 | 5 | 117 | 24085 | 2 | 0 | 5 | 122 | 24085 | 2 | 0 | 5 | 122 | 23834 | 2 | 0 | 5 | 121 | 25089 | 2 | 0 | 5 | 127 | | |
| | | T3W | 23596 | 2 | 0 | 5 | 120 | 24622 | 2 | 0 | 5 | 125 | 24622 | 2 | 0 | 5 | 125 | 24366 | 2 | 0 | 5 | 124 | 25648 | 2 | 0 | 5 | 130 | | |
| | | T3LG | 22997 | 2 | 0 | 3 | 117 | 23997 | 2 | 0 | 3 | 122 | 23997 | 2 | 0 | 3 | 122 | 23747 | 2 | 0 | 3 | 120 | 24997 | 2 | 0 | 3 | 127 | | |
| | | T4 | 22860 | 2 | 0 | 5 | 116 | 23854 | 2 | 0 | 5 | 121 | 23854 | 2 | 0 | 5 | 121 | 23606 | 2 | 0 | 5 | 120 | 24848 | 2 | 0 | 5 | 126 | | |
| | | T4A | 24486 | 3 | 0 | 5 | 124 | 25550 | 3 | 0 | 5 | 130 | 25550 | 3 | 0 | 5 | 130 | 25284 | 3 | 0 | 5 | 128 | 26615 | 3 | 0 | 5 | 135 | | |
| | | T4LG | 24548 | 2 | 0 | 4 | 124 | 25616 | 2 | 0 | 4 | 130 | 25616 | 2 | 0 | 4 | 130 | 25349 | 2 | 0 | 4 | 129 | 26683 | 2 | 0 | 4 | 135 | | |
| | | T4FT | 21636 | 3 | 0 | 4 | 110 | 22577 | 3 | 0 | 4 | 114 | 22577 | 3 | 0 | 4 | 114 | 22341 | 3 | 0 | 4 | 113 | 23517 | 3 | 0 | 4 | 119 | | |
| | | T5 | 20900 | 2 | 0 | 5 | 106 | 21809 | 2 | 0 | 5 | 111 | 21809 | 2 | 0 | 5 | 111 | 21582 | 2 | 0 | 5 | 109 | 22718 | 2 | 0 | 5 | 115 | | |
| | | T5LG | 21676 | 2 | 0 | 3 | 110 | 22618 | 2 | 0 | 3 | 115 | 22618 | 2 | 0 | 3 | 115 | 22383 | 2 | 0 | 3 | 114 | 23561 | 2 | 0 | 3 | 119 | | |
| | | T5W | 20079 | 2 | 0 | 5 | 102 | 20952 | 2 | 0 | 5 | 106 | 20952 | 2 | 0 | 5 | 106 | 20733 | 2 | 0 | 5 | 105 | 21825 | 2 | 0 | 5 | 111 | | |
| | | T5WW | 18953 | 2 | 0 | 5 | 96 | 19777 | 2 | 0 | 5 | 100 | 19777 | 2 | 0 | 5 | 100 | 19571 | 2 | 0 | 5 | 99 | 20601 | 2 | 0 | 5 | 104 | | |
| | | FN | 22826 | 4 | 0 | 5 | 116 | 23819 | 4 | 0 | 5 | 121 | 23819 | 4 | 0 | 5 | 121 | 23571 | 4 | 0 | 5 | 120 | 24811 | 5 | 0 | 5 | 126 | | |
| | | FM | 23266 | 4 | 0 | 5 | 118 | 24278 | 4 | 0 | 5 | 123 | 24278 | 4 | 0 | 5 | 123 | 24025 | 4 | 0 | 5 | 122 | 25289 | 5 | 0 | 5 | 128 | | |
| | | FW | 21200 | 3 | 0 | 5 | 108 | 22121 | 3 | 0 | 5 | 112 | 22121 | 3 | 0 | 5 | 112 | 21891 | 3 | 0 | 5 | 111 | 23043 | 3 | 0 | 5 | 117 | | |
| | | 192LD | 530 mA (304.1W) | T1 | 32824 | 2 | 0 | 5 | 108 | 34252 | 2 | 0 | 5 | 113 | 34252 | 2 | 0 | 5 | 113 | 33895 | 2 | 0 | 5 | 111 | 35679 | 2 | 0 | 5 | 117 |
| | | | | T2 | 30553 | 3 | 0 | 5 | 100 | 31881 | 3 | 0 | 5 | 105 | 31881 | 3 | 0 | 5 | 105 | 31549 | 3 | 0 | 5 | 104 | 33210 | 3 | 0 | 5 | 109 |
| | | | | T3R | 33393 | 2 | 0 | 5 | 110 | 34845 | 2 | 0 | 5 | 115 | 34845 | 2 | 0 | 5 | 115 | 34482 | 2 | 0 | 5 | 113 | 36297 | 2 | 0 | 5 | 119 |
| T3 | 34133 | | | 2 | 0 | 5 | 112 | 35617 | 2 | 0 | 5 | 117 | 35617 | 2 | 0 | 5 | 117 | 35246 | 2 | 0 | 5 | 116 | 37101 | 2 | 0 | 5 | 122 | | |
| T3W | 34894 | | | 3 | 0 | 5 | 115 | 36411 | 3 | 0 | 5 | 120 | 36411 | 3 | 0 | 5 | 120 | 36032 | 3 | 0 | 5 | 118 | 37928 | 3 | 0 | 5 | 125 | | |
| T3LG | 34008 | | | 2 | 0 | 4 | 112 | 35486 | 3 | 0 | 4 | 117 | 35486 | 3 | 0 | 4 | 117 | 35116 | 3 | 0 | 4 | 115 | 36965 | 3 | 0 | 4 | 122 | | |
| T4 | 33605 | | | 2 | 0 | 5 | 111 | 35275 | 3 | 0 | 5 | 116 | 35275 | 3 | 0 | 5 | 116 | 34906 | 3 | 0 | 5 | 115 | 36745 | 3 | 0 | 5 | 121 | | |
| T4A | 36209 | | | 3 | 0 | 5 | 119 | 37783 | 3 | 0 | 5 | 124 | 37783 | 3 | 0 | 5 | 124 | 37389 | 3 | 0 | 5 | 123 | 39357 | 3 | 0 | 5 | 129 | | |
| T4LG | 36302 | | | 2 | 0 | 4 | 119 | 37880 | 3 | 0 | 5 | 125 | 37880 | 3 | 0 | 5 | 125 | 37485 | 3 | 0 | 5 | 123 | 39458 | 3 | 0 | 5 | 130 | | |
| T4FT | 31995 | | | 4 | 0 | 5 | 105 | 33386 | 4 | 0 | 5 | 110 | 33386 | 4 | 0 | 5 | 110 | 33038 | 4 | 0 | 5 | 109 | 34777 | 4 | 0 | 5 | 114 | | |
| T5 | 30907 | | | 3 | 0 | 5 | 102 | 32251 | 3 | 0 | 5 | 106 | 32251 | 3 | 0 | 5 | 106 | 31915 | 3 | 0 | 5 | 105 | 33595 | 3 | 0 | 5 | 110 | | |
| T5LG | 32054 | | | 2 | 0 | 4 | 105 | 33447 | 2 | 0 | 4 | 110 | 33447 | 2 | 0 | 4 | 110 | 33099 | 2 | 0 | 4 | 109 | 34841 | 2 | 0 | 4 | 115 | | |
| T5W | 29692 | | | 3 | 0 | 5 | 98 | 30983 | 3 | 0 | 5 | 102 | 30983 | 3 | 0 | 5 | 102 | 30660 | 3 | 0 | 5 | 101 | 32274 | 3 | 0 | 5 | 106 | | |
| T5WW | 28027 | | | 2 | 0 | 5 | 92 | 29246 | 2 | 0 | 5 | 96 | 29246 | 2 | 0 | 5 | 96 | 28941 | 2 | 0 | 5 | 95 | 30465 | 3 | 0 | 5 | 100 | | |
| FN | 33755 | | | 5 | 0 | 5 | 111 | 35223 | 5 | 0 | 5 | 116 | 35223 | 5 | 0 | 5 | 116 | 34856 | 5 | 0 | 5 | 115 | 36690 | 5 | 0 | 5 | 121 | | |
| FM | 34405 | | | 5 | 0 | 5 | 113 | 35901 | 5 | 0 | 5 | 118 | 35901 | 5 | 0 | 5 | 118 | 35527 | 5 | 0 | 5 | 117 | 37397 | 5 | 0 | 5 | 123 | | |
| FW | 31349 | | | 3 | 0 | 5 | 103 | 32712 | 3 | 0 | 5 | 108 | 32712 | 3 | 0 | 5 | 108 | 32372 | 3 | 0 | 5 | 106 | 34075 | 3 | 0 | 5 | 112 | | |
| 192LD | 700 mA (407.7W) | | | T1 | 41770 | 2 | 0 | 5 | 102 | 43586 | 2 | 0 | 5 | 107 | 43586 | 2 | 0 | 5 | 107 | 43132 | 2 | 0 | 5 | 106 | 45402 | 2 | 0 | 5 | 111 |
| | | | | T2 | 38880 | 3 | 0 | 5 | 95 | 40570 | 3 | 0 | 5 | 100 | 40570 | 3 | 0 | 5 | 100 | 40148 | 3 | 0 | 5 | 98 | 42261 | 3 | 0 | 5 | 104 |
| | | | | T3R | 42494 | 3 | 0 | 5 | 104 | 44342 | 3 | 0 | 5 | 109 | 44342 | 3 | 0 | 5 | 109 | 43890 | 3 | 0 | 5 | 108 | 46189 | 3 | 0 | 5 | 113 |
| | | T3 | 43435 | 3 | 0 | 5 | 107 | 45324 | 3 | 0 | 5 | 111 | 45324 | 3 | 0 | 5 | 111 | 44852 | 3 | 0 | 5 | 110 | 47212 | 3 | 0 | 5 | 116 | | |
| | | T3W | 44404 | 3 | 0 | 5 | 109 | 46334 | 3 | 0 | 5 | 114 | 46334 | 3 | 0 | 5 | 114 | 45852 | 3 | 0 | 5 | 112 | 48265 | 3 | 0 | 5 | 118 | | |
| | | T3LG | 43276 | 3 | 0 | 4 | 106 | 45157 | 3 | 0 | 5 | 111 | 45157 | 3 | 0 | 5 | 111 | 44687 | 3 | 0 | 5 | 110 | 47039 | 3 | 0 | 5 | 115 | | |
| | | T4 | 43019 | 3 | 0 | 5 | 106 | 44889 | 3 | 0 | 5 | 110 | 44889 | 3 | 0 | 5 | 110 | 44421 | 3 | 0 | 5 | 109 | 46759 | 3 | 0 | 5 | 115 | | |
| | | T4A | 46077 | 3 | 0 | 5 | 113 | 48080 | 3 | 0 | 5 | 118 | 48080 | 3 | 0 | 5 | 118 | 47579 | 3 | 0 | 5 | 117 | 50083 | 3 | 0 | 5 | 123 | | |
| | | T4LG | 46195 | 3 | 0 | 5 | 113 | 48204 | 3 | 0 | 5 | 118 | 48204 | 3 | 0 | 5 | 118 | 47702 | 3 | 0 | 5 | 117 | 50212 | 3 | 0 | 5 | 123 | | |
| | | T4FT | 40714 | 4 | 0 | 5 | 100 | 42484 | 4 | 0 | 5 | 104 | 42484 | 4 | 0 | 5 | 104 | 42042 | 4 | 0 | 5 | 103 | 44255 | 4 | 0 | 5 | 109 | | |
| | | T5 | 39330 | 3 | 0 | 5 | 96 | 41040 | 3 | 0 | 5 | 101 | 41040 | 3 | 0 | 5 | 101 | 40613 | 3 | 0 | 5 | 100 | 42750 | 3 | 0 | 5 | 105 | | |
| | | T5LG | 40790 | 2 | 0 | 4 | 100 | 42563 | 3 | 0 | 4 | 104 | 42563 | 3 | 0 | 4 | 104 | 42120 | 3 | 0 | 4 | 103 | 44337 | 3 | 0 | 4 | 109 | | |
| | | T5W | 37784 | 3 | 0 | 5 | 93 | 39427 | 3 | 0 | 5 | 97 | 39427 | 3 | 0 | 5 | 97 | 39016 | 3 | 0 | 5 | 96 | 41069 | 3 | 0 | 5 | 101 | | |
| | | T5WW | 35666 | 3 | 0 | 5 | 87 | 37217 | 3 | 0 | 5 | 91 | 37217 | 3 | 0 | 5 | 91 | 36829 | 3 | 0 | 5 | 90 | 38767 | 3 | 0 | 5 | 95 | | |
| | | FN | 42955 | 5 | 0 | 5 | 105 | 44822 | 5 | 0 | 5 | 110 | 44822 | 5 | 0 | 5 | 110 | 44355 | 5 | 0 | 5 | 109 | 46690 | 5 | 0 | 5 | 115 | | |
| | | FM | 43782 | 5 | 0 | 5 | 107 | 45686 | 5 | 0 | 5 | 112 | 45686 | 5 | 0 | 5 | 112 | 45210 | 5 | 0 | 5 | 111 | 47589 | 5 | 0 | 5 | 117 | | |
| | | FW | 39893 | 3 | 0 | 5 | 98 | 41628 | 4 | 0 | 5 | 102 | 41628 | 4 | 0 | 5 | 102 | 41194 | 4 | 0 | 5 | 101 | 43362 | 4 | 0 | 5 | 106 | | |
| | | 192LD | 1050 mA (628.8W) | T1 | 56290 | 2 | 0 | 5 | 90 | 58737 | 3 | 0 | 5 | 93 | 58737 | 3 | 0 | 5 | 93 | 58125 | 3 | 0 | 5 | 92 | 61185 | 3 | 0 | 5 | 97 |
| | | | | T2 | 52395 | 3 | 0 | 5 | 83 | 54673 | 3 | 0 | 5 | 87 | 54673 | 3 | 0 | 5 | 87 | 54103 | 3 | 0 | 5 | 86 | 56951 | 3 | 0 | 5 | 91 |
| | | | | T3R | 57265 | 3 | 0 | 5 | 91 | 59755 | 3 | 0 | 5 | 95 | 59755 | 3 | 0 | 5 | 95 | 59133 | 3 | 0 | 5 | 94 | 6 | | | | |

| VLX-1-CLS LED SPECIFICATIONS / Forward Optics | | | | | | | | | | | | | | | | | | | | | | | | | | | |
|---|-----------------|-------------------|------------------|----|-------|---|-----|--------|-----|-------|---|-----|--------|-----|-------|---|-----|--------|-----|-------|---|-----|--------|-----|-------|---|-----|
| Led Count | Current & Watts | Distribution Type | 70CRI | | | | | | | | | | | | | | | | | | | | | | | | |
| | | | 27K | | | | | 30K | | | | | 35K | | | | | 40K | | | | | 50K | | | | |
| | | | Lumens | B | U | G | LPW | Lumens | B | U | G | LPW | Lumens | B | U | G | LPW | Lumens | B | U | G | LPW | Lumens | B | U | G | LPW |
| 96LD | 350 mA (98.6W) | T1 | 11838 | 3 | 0 | 3 | 120 | 12353 | 3 | 0 | 3 | 125 | 12353 | 3 | 0 | 3 | 125 | 12224 | 3 | 0 | 3 | 124 | 12868 | 3 | 0 | 3 | 131 |
| | | T2 | 12471 | 2 | 0 | 3 | 126 | 13014 | 2 | 0 | 4 | 132 | 13014 | 2 | 0 | 4 | 132 | 12878 | 2 | 0 | 4 | 131 | 13566 | 2 | 0 | 4 | 137 |
| | | T3R | 11824 | 2 | 0 | 3 | 120 | 12338 | 2 | 0 | 3 | 125 | 12338 | 2 | 0 | 3 | 125 | 12210 | 2 | 0 | 3 | 124 | 12853 | 2 | 0 | 3 | 130 |
| | | T3 | 11916 | 1 | 0 | 3 | 121 | 12434 | 1 | 0 | 3 | 126 | 12434 | 1 | 0 | 3 | 126 | 12305 | 1 | 0 | 3 | 125 | 12952 | 1 | 0 | 3 | 131 |
| | | T3W | 12010 | 1 | 0 | 3 | 122 | 12532 | 1 | 0 | 3 | 127 | 12532 | 1 | 0 | 3 | 127 | 12402 | 1 | 0 | 3 | 126 | 13054 | 2 | 0 | 3 | 132 |
| | | T3LG | 12018 | 2 | 0 | 3 | 122 | 12541 | 2 | 0 | 3 | 127 | 12541 | 2 | 0 | 3 | 127 | 12410 | 2 | 0 | 3 | 126 | 13063 | 2 | 0 | 3 | 132 |
| | | T4 | 10818 | 2 | 0 | 2 | 110 | 11289 | 2 | 0 | 3 | 114 | 11289 | 2 | 0 | 3 | 114 | 11171 | 2 | 0 | 3 | 113 | 11759 | 2 | 0 | 3 | 119 |
| | | T4A | 14007 | 2 | 0 | 3 | 142 | 14616 | 2 | 0 | 3 | 148 | 14616 | 2 | 0 | 3 | 148 | 14464 | 2 | 0 | 3 | 147 | 15225 | 2 | 0 | 3 | 154 |
| | | T4LG | 11469 | 2 | 0 | 3 | 116 | 11968 | 2 | 0 | 3 | 121 | 11968 | 2 | 0 | 3 | 121 | 11843 | 2 | 0 | 3 | 120 | 12467 | 2 | 0 | 3 | 126 |
| | | T4FT | 10612 | 2 | 0 | 3 | 108 | 11074 | 2 | 0 | 3 | 112 | 11074 | 2 | 0 | 3 | 112 | 10959 | 2 | 0 | 3 | 111 | 11535 | 2 | 0 | 3 | 117 |
| | | T5 | 11801 | 2 | 0 | 2 | 120 | 12315 | 2 | 0 | 2 | 125 | 12315 | 2 | 0 | 2 | 125 | 12186 | 2 | 0 | 2 | 124 | 12828 | 2 | 0 | 2 | 130 |
| | | T5LG | 11840 | 2 | 0 | 2 | 120 | 12355 | 2 | 0 | 2 | 125 | 12355 | 2 | 0 | 2 | 125 | 12226 | 2 | 0 | 2 | 124 | 12869 | 2 | 0 | 2 | 131 |
| | | T5W | 10875 | 3 | 0 | 3 | 110 | 11348 | 3 | 0 | 3 | 115 | 11348 | 3 | 0 | 3 | 115 | 11230 | 3 | 0 | 3 | 114 | 11821 | 3 | 0 | 3 | 120 |
| | | T5WW | 10274 | 3 | 0 | 3 | 104 | 10721 | 3 | 0 | 3 | 109 | 10721 | 3 | 0 | 3 | 109 | 10609 | 3 | 0 | 3 | 108 | 11167 | 3 | 0 | 3 | 113 |
| | | FN | 13299 | 4 | 0 | 4 | 135 | 13877 | 4 | 0 | 4 | 141 | 13877 | 4 | 0 | 4 | 141 | 13733 | 4 | 0 | 4 | 139 | 14456 | 4 | 0 | 4 | 147 |
| | | FM | 13384 | 4 | 0 | 3 | 136 | 13966 | 4 | 0 | 3 | 142 | 13966 | 4 | 0 | 3 | 142 | 13820 | 4 | 0 | 3 | 140 | 14548 | 4 | 0 | 3 | 148 |
| | | FW | 13336 | 3 | 0 | 3 | 135 | 13918 | 3 | 0 | 3 | 141 | 13918 | 3 | 0 | 3 | 141 | 13773 | 3 | 0 | 3 | 140 | 14498 | 3 | 0 | 3 | 147 |
| | | 96LD | 530 mA (152.1W) | T1 | 17506 | 3 | 0 | 3 | 115 | 18267 | 3 | 0 | 3 | 120 | 18267 | 3 | 0 | 3 | 120 | 18077 | 3 | 0 | 3 | 119 | 19026 | 3 | 0 |
| T2 | 18442 | | | 3 | 0 | 4 | 121 | 19244 | 3 | 0 | 4 | 127 | 19244 | 3 | 0 | 4 | 127 | 19044 | 3 | 0 | 4 | 125 | 20046 | 3 | 0 | 4 | 132 |
| T3R | 17486 | | | 2 | 0 | 3 | 115 | 18246 | 3 | 0 | 3 | 120 | 18246 | 3 | 0 | 3 | 120 | 18056 | 3 | 0 | 3 | 119 | 19006 | 3 | 0 | 3 | 125 |
| T3 | 17621 | | | 2 | 0 | 3 | 116 | 18387 | 2 | 0 | 3 | 121 | 18387 | 2 | 0 | 3 | 121 | 18196 | 2 | 0 | 3 | 120 | 19153 | 2 | 0 | 3 | 126 |
| T3W | 17760 | | | 2 | 0 | 3 | 117 | 18532 | 2 | 0 | 3 | 122 | 18532 | 2 | 0 | 3 | 122 | 18339 | 2 | 0 | 3 | 121 | 19305 | 2 | 0 | 3 | 127 |
| T3LG | 17772 | | | 3 | 0 | 3 | 117 | 18545 | 3 | 0 | 3 | 122 | 18545 | 3 | 0 | 3 | 122 | 18351 | 3 | 0 | 3 | 121 | 19317 | 3 | 0 | 3 | 127 |
| T4 | 15998 | | | 2 | 0 | 3 | 105 | 16693 | 2 | 0 | 3 | 110 | 16693 | 2 | 0 | 3 | 110 | 16519 | 2 | 0 | 3 | 109 | 17389 | 2 | 0 | 3 | 114 |
| T4A | 20714 | | | 2 | 0 | 3 | 136 | 21614 | 2 | 0 | 3 | 142 | 21614 | 2 | 0 | 3 | 142 | 21389 | 2 | 0 | 3 | 141 | 22515 | 3 | 0 | 3 | 148 |
| T4LG | 16961 | | | 3 | 0 | 3 | 112 | 17698 | 3 | 0 | 3 | 116 | 17698 | 3 | 0 | 3 | 116 | 17514 | 3 | 0 | 3 | 115 | 18436 | 3 | 0 | 3 | 121 |
| T4FT | 15693 | | | 2 | 0 | 3 | 103 | 16376 | 2 | 0 | 3 | 108 | 16376 | 2 | 0 | 3 | 108 | 16205 | 2 | 0 | 3 | 107 | 17058 | 2 | 0 | 3 | 112 |
| T5 | 17452 | | | 3 | 0 | 3 | 115 | 18210 | 3 | 0 | 3 | 120 | 18210 | 3 | 0 | 3 | 120 | 18021 | 3 | 0 | 3 | 118 | 18969 | 3 | 0 | 3 | 125 |
| T5LG | 17509 | | | 3 | 0 | 2 | 115 | 18270 | 3 | 0 | 3 | 120 | 18270 | 3 | 0 | 3 | 120 | 18080 | 3 | 0 | 2 | 119 | 19031 | 3 | 0 | 3 | 125 |
| T5W | 16082 | | | 3 | 0 | 3 | 106 | 16782 | 3 | 0 | 3 | 110 | 16782 | 3 | 0 | 3 | 110 | 16607 | 3 | 0 | 3 | 109 | 17481 | 3 | 0 | 3 | 115 |
| T5WW | 15193 | | | 3 | 0 | 3 | 100 | 15853 | 3 | 0 | 3 | 104 | 15853 | 3 | 0 | 3 | 104 | 15688 | 3 | 0 | 3 | 103 | 16514 | 3 | 0 | 3 | 109 |
| FN | 19667 | | | 5 | 0 | 5 | 129 | 20522 | 5 | 0 | 5 | 135 | 20522 | 5 | 0 | 5 | 135 | 20308 | 5 | 0 | 5 | 134 | 21377 | 5 | 0 | 5 | 141 |
| FM | 19792 | | | 5 | 0 | 4 | 130 | 20652 | 5 | 0 | 4 | 136 | 20652 | 5 | 0 | 4 | 136 | 20437 | 5 | 0 | 4 | 134 | 21513 | 5 | 0 | 4 | 141 |
| FW | 19724 | | | 3 | 0 | 3 | 130 | 20582 | 3 | 0 | 3 | 135 | 20582 | 3 | 0 | 3 | 135 | 20368 | 3 | 0 | 3 | 134 | 21440 | 4 | 0 | 3 | 141 |
| 96LD | 700 mA (203.8W) | | | T1 | 22277 | 4 | 0 | 4 | 109 | 23246 | 4 | 0 | 4 | 114 | 23246 | 4 | 0 | 4 | 114 | 23004 | 4 | 0 | 4 | 113 | 24214 | 4 | 0 |
| | | T2 | 23468 | 3 | 0 | 5 | 115 | 24489 | 3 | 0 | 5 | 120 | 24489 | 3 | 0 | 5 | 120 | 24234 | 3 | 0 | 5 | 119 | 25509 | 3 | 0 | 5 | 125 |
| | | T3R | 22251 | 3 | 0 | 3 | 109 | 23219 | 3 | 0 | 4 | 114 | 23219 | 3 | 0 | 4 | 114 | 22977 | 3 | 0 | 3 | 113 | 24186 | 3 | 0 | 4 | 119 |
| | | T3 | 22423 | 2 | 0 | 3 | 110 | 23398 | 2 | 0 | 3 | 115 | 23398 | 2 | 0 | 3 | 115 | 23155 | 2 | 0 | 3 | 114 | 24373 | 2 | 0 | 3 | 120 |
| | | T3W | 22601 | 2 | 0 | 4 | 111 | 23583 | 2 | 0 | 4 | 116 | 23583 | 2 | 0 | 4 | 116 | 23338 | 2 | 0 | 4 | 114 | 24566 | 2 | 0 | 4 | 121 |
| | | T3LG | 22615 | 3 | 0 | 4 | 111 | 23599 | 3 | 0 | 4 | 116 | 23599 | 3 | 0 | 4 | 116 | 23353 | 3 | 0 | 4 | 115 | 24582 | 3 | 0 | 4 | 121 |
| | | T4 | 20358 | 3 | 0 | 3 | 100 | 21243 | 3 | 0 | 3 | 104 | 21243 | 3 | 0 | 3 | 104 | 21022 | 3 | 0 | 3 | 103 | 22128 | 3 | 0 | 3 | 109 |
| | | T4A | 26359 | 3 | 0 | 4 | 129 | 27505 | 3 | 0 | 4 | 135 | 27505 | 3 | 0 | 4 | 135 | 27218 | 3 | 0 | 4 | 134 | 28651 | 3 | 0 | 4 | 141 |
| | | T4LG | 21583 | 3 | 0 | 4 | 106 | 22522 | 3 | 0 | 4 | 110 | 22522 | 3 | 0 | 4 | 110 | 22287 | 3 | 0 | 4 | 109 | 23460 | 3 | 0 | 4 | 115 |
| | | T4FT | 19971 | 3 | 0 | 4 | 98 | 20839 | 3 | 0 | 4 | 102 | 20839 | 3 | 0 | 4 | 102 | 20622 | 3 | 0 | 4 | 101 | 21707 | 3 | 0 | 4 | 106 |
| | | T5 | 22208 | 3 | 0 | 3 | 109 | 23173 | 3 | 0 | 3 | 114 | 23173 | 3 | 0 | 3 | 114 | 22932 | 3 | 0 | 3 | 112 | 24139 | 3 | 0 | 3 | 118 |
| | | T5LG | 22280 | 3 | 0 | 3 | 109 | 23249 | 3 | 0 | 3 | 114 | 23249 | 3 | 0 | 3 | 114 | 23007 | 3 | 0 | 3 | 113 | 24218 | 3 | 0 | 3 | 119 |
| | | T5W | 20465 | 3 | 0 | 3 | 100 | 21355 | 3 | 0 | 3 | 105 | 21355 | 3 | 0 | 3 | 105 | 21133 | 3 | 0 | 3 | 104 | 22245 | 3 | 0 | 3 | 109 |
| | | T5WW | 19333 | 3 | 0 | 3 | 95 | 20174 | 3 | 0 | 3 | 99 | 20174 | 3 | 0 | 3 | 99 | 19964 | 3 | 0 | 3 | 98 | 21014 | 3 | 0 | 3 | 103 |
| | | FN | 25026 | 5 | 0 | 5 | 123 | 26115 | 5 | 0 | 5 | 128 | 26115 | 5 | 0 | 5 | 128 | 25843 | 5 | 0 | 5 | 127 | 27203 | 5 | 0 | 5 | 133 |
| | | FM | 25186 | 5 | 0 | 5 | 124 | 26281 | 5 | 0 | 5 | 129 | 26281 | 5 | 0 | 5 | 129 | 26007 | 5 | 0 | 5 | 128 | 27376 | 5 | 0 | 5 | 134 |
| | | FW | 25100 | 4 | 0 | 4 | 123 | 26191 | 4 | 0 | 4 | 128 | 26191 | 4 | 0 | 4 | 128 | 25919 | 4 | 0 | 4 | 127 | 27283 | 4 | 0 | 4 | 134 |
| | | 96LD | 1050 mA (314.4W) | T1 | 30021 | 4 | 0 | 4 | 95 | 31326 | 4 | 0 | 4 | 100 | 31326 | 4 | 0 | 4 | 100 | 31000 | 4 | 0 | 4 | 99 | 32631 | 4 | 0 |
| T2 | 31626 | | | 3 | 0 | 5 | 101 | 33001 | 3 | 0 | 5 | 105 | 33001 | 3 | 0 | 5 | 105 | 32658 | 3 | 0 | 5 | 104 | 34376 | 3 | 0 | 5 | 109 |
| T3R | 29986 | | | 3 | 0 | 4 | 95 | 31289 | 3 | 0 | 4 | 100 | 31289 | 3 | 0 | 4 | 100 | 30963 | 3 | 0 | | | | | | | |

| VLX-1-CLS LED SPECIFICATIONS / Forward Optics | | | | | | | | | | | | | | | | | | | | | | | | | | | | | |
|---|-----------------|-------------------|------------------|-----|-------|---|-----|--------|-----|-------|---|-----|--------|-----|-------|---|-----|--------|-----|-------|---|-----|--------|-----|-------|---|-----|---|-----|
| Lcd Count | Current & Watts | Distribution Type | 70CRI | | | | | | | | | | | | | | | | | | | | | | | | | | |
| | | | 27K | | | | | 30K | | | | | 35K | | | | | 40K | | | | | 50K | | | | | | |
| | | | Lumens | B | U | G | LPW | Lumens | B | U | G | LPW | Lumens | B | U | G | LPW | Lumens | B | U | G | LPW | Lumens | B | U | G | LPW | | |
| 128LD | 350 mA (131.5W) | T1 | 15593 | 3 | 0 | 3 | 119 | 16271 | 3 | 0 | 3 | 124 | 16271 | 3 | 0 | 3 | 124 | 16102 | 3 | 0 | 3 | 122 | 16949 | 3 | 0 | 3 | 129 | | |
| | | T2 | 16427 | 3 | 0 | 4 | 125 | 17141 | 3 | 0 | 4 | 130 | 17141 | 3 | 0 | 4 | 130 | 16963 | 3 | 0 | 4 | 129 | 17855 | 3 | 0 | 4 | 136 | | |
| | | T3R | 15575 | 2 | 0 | 3 | 118 | 16252 | 2 | 0 | 3 | 124 | 16252 | 2 | 0 | 3 | 124 | 16083 | 2 | 0 | 3 | 122 | 16929 | 2 | 0 | 3 | 129 | | |
| | | T3 | 15695 | 2 | 0 | 3 | 119 | 16378 | 2 | 0 | 3 | 125 | 16378 | 2 | 0 | 3 | 125 | 16207 | 2 | 0 | 3 | 123 | 17060 | 2 | 0 | 3 | 130 | | |
| | | T3W | 15819 | 2 | 0 | 3 | 120 | 16507 | 2 | 0 | 3 | 126 | 16507 | 2 | 0 | 3 | 126 | 16335 | 2 | 0 | 3 | 124 | 17195 | 2 | 0 | 3 | 131 | | |
| | | T3LG | 15830 | 2 | 0 | 3 | 120 | 16518 | 2 | 0 | 3 | 126 | 16518 | 2 | 0 | 3 | 126 | 16346 | 2 | 0 | 3 | 124 | 17206 | 2 | 0 | 3 | 131 | | |
| | | T4 | 14250 | 2 | 0 | 3 | 108 | 14869 | 2 | 0 | 3 | 113 | 14869 | 2 | 0 | 3 | 113 | 14714 | 2 | 0 | 3 | 112 | 15489 | 2 | 0 | 3 | 118 | | |
| | | T4A | 18450 | 2 | 0 | 3 | 140 | 19252 | 2 | 0 | 3 | 146 | 19252 | 2 | 0 | 3 | 146 | 19052 | 2 | 0 | 3 | 145 | 20054 | 2 | 0 | 3 | 153 | | |
| | | T4LG | 15107 | 2 | 0 | 3 | 115 | 15764 | 2 | 0 | 3 | 120 | 15764 | 2 | 0 | 3 | 120 | 15600 | 2 | 0 | 3 | 119 | 16421 | 3 | 0 | 3 | 125 | | |
| | | T4FT | 13979 | 2 | 0 | 3 | 106 | 14586 | 2 | 0 | 3 | 111 | 14586 | 2 | 0 | 3 | 111 | 14434 | 2 | 0 | 3 | 110 | 15194 | 2 | 0 | 3 | 116 | | |
| | | T5 | 15545 | 3 | 0 | 2 | 118 | 16220 | 3 | 0 | 2 | 123 | 16220 | 3 | 0 | 2 | 123 | 16051 | 3 | 0 | 2 | 122 | 16896 | 3 | 0 | 2 | 128 | | |
| | | T5LG | 15595 | 3 | 0 | 2 | 119 | 16273 | 3 | 0 | 2 | 124 | 16273 | 3 | 0 | 2 | 124 | 16104 | 3 | 0 | 2 | 122 | 16951 | 3 | 0 | 2 | 129 | | |
| | | T5W | 14325 | 3 | 0 | 3 | 109 | 14948 | 3 | 0 | 3 | 114 | 14948 | 3 | 0 | 3 | 114 | 14792 | 3 | 0 | 3 | 112 | 15570 | 3 | 0 | 3 | 118 | | |
| | | T5WW | 13532 | 3 | 0 | 3 | 103 | 14121 | 3 | 0 | 3 | 107 | 14121 | 3 | 0 | 3 | 107 | 13974 | 3 | 0 | 3 | 106 | 14709 | 3 | 0 | 3 | 112 | | |
| | | FN | 17517 | 4 | 0 | 4 | 133 | 18279 | 4 | 0 | 4 | 139 | 18279 | 4 | 0 | 4 | 139 | 18099 | 4 | 0 | 4 | 138 | 19041 | 5 | 0 | 4 | 145 | | |
| | | FM | 17629 | 4 | 0 | 4 | 134 | 18395 | 4 | 0 | 4 | 140 | 18395 | 4 | 0 | 4 | 140 | 18204 | 4 | 0 | 4 | 138 | 19162 | 5 | 0 | 4 | 146 | | |
| | | FW | 17569 | 3 | 0 | 3 | 134 | 18333 | 3 | 0 | 3 | 139 | 18333 | 3 | 0 | 3 | 139 | 18142 | 3 | 0 | 3 | 138 | 19097 | 3 | 0 | 3 | 145 | | |
| | | 128LD | 530 mA (202.8W) | T1 | 23053 | 4 | 0 | 4 | 114 | 24055 | 4 | 0 | 4 | 119 | 24055 | 4 | 0 | 4 | 119 | 23804 | 4 | 0 | 4 | 117 | 25057 | 4 | 0 | 4 | 124 |
| | | | | T2 | 24285 | 3 | 0 | 5 | 120 | 25341 | 3 | 0 | 5 | 125 | 25341 | 3 | 0 | 5 | 125 | 25077 | 3 | 0 | 5 | 124 | 26097 | 3 | 0 | 5 | 130 |
| | | | | T3R | 23026 | 3 | 0 | 4 | 114 | 24027 | 3 | 0 | 4 | 118 | 24027 | 3 | 0 | 4 | 118 | 23776 | 3 | 0 | 4 | 117 | 25028 | 3 | 0 | 4 | 123 |
| T3 | 23904 | | | 2 | 0 | 3 | 114 | 24213 | 2 | 0 | 3 | 119 | 24213 | 2 | 0 | 3 | 119 | 23961 | 2 | 0 | 3 | 118 | 25222 | 2 | 0 | 3 | 124 | | |
| T3W | 23387 | | | 2 | 0 | 4 | 115 | 24404 | 2 | 0 | 4 | 120 | 24404 | 2 | 0 | 4 | 120 | 24150 | 2 | 0 | 4 | 119 | 25421 | 2 | 0 | 4 | 125 | | |
| T3LG | 23403 | | | 3 | 0 | 4 | 115 | 24420 | 3 | 0 | 4 | 120 | 24420 | 3 | 0 | 4 | 120 | 24166 | 3 | 0 | 4 | 119 | 25438 | 3 | 0 | 4 | 125 | | |
| T4 | 21066 | | | 3 | 0 | 3 | 104 | 21982 | 3 | 0 | 3 | 108 | 21982 | 3 | 0 | 3 | 108 | 21753 | 3 | 0 | 3 | 107 | 22896 | 3 | 0 | 3 | 113 | | |
| T4A | 27276 | | | 3 | 0 | 4 | 135 | 28462 | 3 | 0 | 4 | 140 | 28462 | 3 | 0 | 4 | 140 | 28166 | 3 | 0 | 4 | 139 | 29648 | 3 | 0 | 4 | 146 | | |
| T4LG | 22334 | | | 3 | 0 | 4 | 110 | 23306 | 3 | 0 | 4 | 115 | 23306 | 3 | 0 | 4 | 115 | 23063 | 3 | 0 | 4 | 114 | 24277 | 3 | 0 | 4 | 120 | | |
| T4FT | 20666 | | | 3 | 0 | 4 | 102 | 21564 | 3 | 0 | 4 | 106 | 21564 | 3 | 0 | 4 | 106 | 21340 | 3 | 0 | 4 | 105 | 22463 | 3 | 0 | 4 | 111 | | |
| T5 | 22981 | | | 3 | 0 | 3 | 113 | 23980 | 3 | 0 | 3 | 118 | 23980 | 3 | 0 | 3 | 118 | 23730 | 3 | 0 | 3 | 117 | 24979 | 3 | 0 | 3 | 123 | | |
| T5LG | 23056 | | | 3 | 0 | 3 | 114 | 24058 | 3 | 0 | 3 | 119 | 24058 | 3 | 0 | 3 | 119 | 23808 | 3 | 0 | 3 | 117 | 25061 | 3 | 0 | 3 | 124 | | |
| T5W | 21178 | | | 3 | 0 | 3 | 104 | 22098 | 3 | 0 | 3 | 109 | 22098 | 3 | 0 | 3 | 109 | 21866 | 3 | 0 | 3 | 108 | 23019 | 3 | 0 | 3 | 114 | | |
| T5WW | 20006 | | | 3 | 0 | 3 | 99 | 20876 | 3 | 0 | 3 | 103 | 20876 | 3 | 0 | 3 | 103 | 20659 | 3 | 0 | 3 | 102 | 21746 | 3 | 0 | 3 | 107 | | |
| FN | 25898 | | | 5 | 0 | 5 | 128 | 27024 | 5 | 0 | 5 | 133 | 27024 | 5 | 0 | 5 | 133 | 26742 | 5 | 0 | 5 | 132 | 28150 | 5 | 0 | 5 | 139 | | |
| FM | 26062 | | | 5 | 0 | 5 | 129 | 27196 | 5 | 0 | 5 | 134 | 27196 | 5 | 0 | 5 | 134 | 26912 | 5 | 0 | 5 | 133 | 28329 | 5 | 0 | 5 | 140 | | |
| FW | 25974 | | | 4 | 0 | 4 | 128 | 27103 | 4 | 0 | 4 | 134 | 27103 | 4 | 0 | 4 | 134 | 26821 | 4 | 0 | 4 | 132 | 28232 | 4 | 0 | 4 | 139 | | |
| 128LD | 700 mA (271.8W) | | | T1 | 29335 | 4 | 0 | 4 | 108 | 30611 | 4 | 0 | 4 | 113 | 30611 | 4 | 0 | 4 | 113 | 30292 | 4 | 0 | 4 | 111 | 31886 | 4 | 0 | 4 | 117 |
| | | | | T2 | 30904 | 3 | 0 | 5 | 114 | 32248 | 3 | 0 | 5 | 119 | 32248 | 3 | 0 | 5 | 119 | 31912 | 3 | 0 | 5 | 117 | 33591 | 3 | 0 | 5 | 124 |
| | | | | T3R | 29301 | 3 | 0 | 4 | 108 | 30675 | 3 | 0 | 4 | 112 | 30675 | 3 | 0 | 4 | 112 | 30256 | 3 | 0 | 4 | 111 | 31849 | 3 | 0 | 4 | 117 |
| | | T3 | 29528 | 2 | 0 | 4 | 109 | 30812 | 2 | 0 | 4 | 113 | 30812 | 2 | 0 | 4 | 113 | 30491 | 2 | 0 | 4 | 112 | 32096 | 2 | 0 | 4 | 118 | | |
| | | T3W | 29761 | 3 | 0 | 4 | 109 | 31055 | 3 | 0 | 4 | 114 | 31055 | 3 | 0 | 4 | 114 | 30732 | 3 | 0 | 4 | 113 | 32349 | 3 | 0 | 4 | 119 | | |
| | | T3LG | 29781 | 3 | 0 | 5 | 110 | 31075 | 3 | 0 | 5 | 114 | 31075 | 3 | 0 | 5 | 114 | 30752 | 3 | 0 | 5 | 113 | 32370 | 3 | 0 | 5 | 119 | | |
| | | T4 | 26808 | 3 | 0 | 4 | 99 | 27973 | 3 | 0 | 4 | 103 | 27973 | 3 | 0 | 4 | 103 | 27682 | 3 | 0 | 4 | 102 | 29139 | 3 | 0 | 4 | 107 | | |
| | | T4A | 34710 | 3 | 0 | 5 | 128 | 36219 | 3 | 0 | 5 | 133 | 36219 | 3 | 0 | 5 | 133 | 35842 | 3 | 0 | 5 | 132 | 37728 | 3 | 0 | 5 | 139 | | |
| | | T4LG | 28421 | 3 | 0 | 5 | 105 | 29657 | 3 | 0 | 5 | 109 | 29657 | 3 | 0 | 5 | 109 | 29348 | 3 | 0 | 5 | 108 | 30893 | 3 | 0 | 5 | 114 | | |
| | | T4FT | 26298 | 3 | 0 | 4 | 97 | 27441 | 3 | 0 | 4 | 101 | 27441 | 3 | 0 | 4 | 101 | 27155 | 3 | 0 | 4 | 100 | 28585 | 3 | 0 | 4 | 105 | | |
| | | T5 | 29244 | 4 | 0 | 3 | 108 | 30515 | 4 | 0 | 3 | 112 | 30515 | 4 | 0 | 3 | 112 | 30198 | 4 | 0 | 3 | 111 | 31787 | 4 | 0 | 3 | 117 | | |
| | | T5LG | 29339 | 4 | 0 | 3 | 108 | 30615 | 4 | 0 | 3 | 113 | 30615 | 4 | 0 | 3 | 113 | 30296 | 4 | 0 | 3 | 111 | 31891 | 4 | 0 | 3 | 117 | | |
| | | T5W | 26949 | 4 | 0 | 4 | 99 | 28121 | 4 | 0 | 4 | 103 | 28121 | 4 | 0 | 4 | 103 | 27828 | 4 | 0 | 4 | 102 | 29293 | 4 | 0 | 4 | 108 | | |
| | | T5WW | 25459 | 4 | 0 | 4 | 94 | 26566 | 4 | 0 | 4 | 98 | 26566 | 4 | 0 | 4 | 98 | 26289 | 4 | 0 | 4 | 97 | 27672 | 4 | 0 | 4 | 102 | | |
| | | FN | 32956 | 5 | 0 | 5 | 121 | 34388 | 5 | 0 | 5 | 127 | 34388 | 5 | 0 | 5 | 127 | 34030 | 5 | 0 | 5 | 125 | 35821 | 5 | 0 | 5 | 132 | | |
| | | FM | 33165 | 5 | 0 | 5 | 122 | 34607 | 5 | 0 | 5 | 127 | 34607 | 5 | 0 | 5 | 127 | 34247 | 5 | 0 | 5 | 126 | 36049 | 5 | 0 | 5 | 133 | | |
| | | FW | 33053 | 4 | 0 | 4 | 122 | 34490 | 4 | 0 | 4 | 127 | 34490 | 4 | 0 | 4 | 127 | 34130 | 4 | 0 | 4 | 126 | 35927 | 4 | 0 | 4 | 132 | | |
| | | 128LD | 1050 mA (419.2W) | T1 | 39532 | 4 | 0 | 5 | 94 | 41251 | 5 | 0 | 5 | 98 | 41251 | 5 | 0 | 5 | 98 | 40822 | 5 | 0 | 5 | 97 | 42970 | 5 | 0 | 5 | 103 |
| | | | | T2 | 41646 | 4 | 0 | 5 | 99 | 43457 | 4 | 0 | 5 | 104 | 43457 | 4 | 0 | 5 | 104 | 43004 | 4 | 0 | 5 | 103 | 45268 | 4 | 0 | 5 | 108 |
| | | | | T3R | 39486 | 3 | 0 | 5 | 94 | 41203 | 3 | 0 | 5 | 98 | 41203 | 3 | 0 | 5 | 98 | 40774 | 3 | 0 | 5 | | | | | | |

| VLX-1-CLS LED SPECIFICATIONS / Forward Optics | | | | | | | | | | | | | | | | | | | | | | | | | | | | | |
|---|-----------------|-------------------|------------------|-----|-------|---|-----|--------|-----|-------|-----|-----|--------|-----|-------|---|-----|--------|-----|-------|---|-----|-------|-----|-------|---|-----|---|-----|
| Led Count | Current & Watts | Distribution Type | 70CRI | | | | | | | | | | | | | | | | | | | | | | | | | | |
| | | | 27K | | | | 30K | | | | 35K | | | | 40K | | | | 50K | | | | | | | | | | |
| | | | Lumens | B | U | G | LPW | Lumens | B | U | G | LPW | Lumens | B | U | G | LPW | Lumens | B | U | G | LPW | | | | | | | |
| 160LD | 350 mA (164.3W) | T1 | 19358 | 3 | 0 | 3 | 118 | 20200 | 4 | 0 | 4 | 123 | 20200 | 4 | 0 | 4 | 123 | 19989 | 3 | 0 | 3 | 122 | 21041 | 4 | 0 | 4 | 128 | | |
| | | T2 | 20393 | 3 | 0 | 5 | 124 | 21280 | 3 | 0 | 5 | 129 | 21280 | 3 | 0 | 5 | 129 | 21058 | 3 | 0 | 5 | 128 | 22167 | 3 | 0 | 5 | 135 | | |
| | | T3R | 19335 | 3 | 0 | 3 | 118 | 20176 | 3 | 0 | 3 | 123 | 20176 | 3 | 0 | 3 | 123 | 19966 | 3 | 0 | 3 | 121 | 21017 | 3 | 0 | 3 | 128 | | |
| | | T3 | 19485 | 2 | 0 | 3 | 119 | 20332 | 2 | 0 | 3 | 124 | 20332 | 2 | 0 | 3 | 124 | 20121 | 2 | 0 | 3 | 122 | 21180 | 2 | 0 | 3 | 129 | | |
| | | T3W | 19639 | 2 | 0 | 3 | 120 | 20493 | 2 | 0 | 3 | 125 | 20493 | 2 | 0 | 3 | 125 | 20280 | 2 | 0 | 3 | 123 | 21347 | 2 | 0 | 3 | 130 | | |
| | | T3LG | 19652 | 3 | 0 | 4 | 120 | 20506 | 3 | 0 | 4 | 125 | 20506 | 3 | 0 | 4 | 125 | 20293 | 3 | 0 | 4 | 123 | 21361 | 3 | 0 | 4 | 130 | | |
| | | T4 | 17690 | 2 | 0 | 3 | 108 | 18459 | 3 | 0 | 3 | 112 | 18459 | 3 | 0 | 3 | 112 | 18267 | 3 | 0 | 3 | 111 | 19228 | 3 | 0 | 3 | 117 | | |
| | | T4A | 22905 | 3 | 0 | 4 | 139 | 23901 | 3 | 0 | 4 | 145 | 23901 | 3 | 0 | 4 | 145 | 23652 | 3 | 0 | 4 | 144 | 24897 | 3 | 0 | 4 | 152 | | |
| | | T4LG | 18755 | 3 | 0 | 3 | 114 | 19571 | 3 | 0 | 4 | 119 | 19571 | 3 | 0 | 4 | 119 | 19367 | 3 | 0 | 4 | 118 | 20386 | 3 | 0 | 4 | 124 | | |
| | | T4FT | 17354 | 2 | 0 | 3 | 106 | 18108 | 2 | 0 | 3 | 110 | 18108 | 2 | 0 | 3 | 110 | 17920 | 2 | 0 | 3 | 109 | 18863 | 3 | 0 | 3 | 115 | | |
| | | T5 | 19298 | 3 | 0 | 3 | 117 | 20137 | 3 | 0 | 3 | 123 | 20137 | 3 | 0 | 3 | 123 | 19927 | 3 | 0 | 3 | 121 | 20976 | 3 | 0 | 3 | 128 | | |
| | | T5LG | 19361 | 3 | 0 | 3 | 118 | 20203 | 3 | 0 | 3 | 123 | 20203 | 3 | 0 | 3 | 123 | 19992 | 3 | 0 | 3 | 122 | 21044 | 3 | 0 | 3 | 128 | | |
| | | T5W | 17784 | 3 | 0 | 3 | 108 | 18557 | 3 | 0 | 3 | 113 | 18557 | 3 | 0 | 3 | 113 | 18364 | 3 | 0 | 3 | 112 | 19330 | 3 | 0 | 3 | 118 | | |
| | | T5WW | 16800 | 3 | 0 | 3 | 102 | 17530 | 3 | 0 | 3 | 107 | 17530 | 3 | 0 | 3 | 107 | 17348 | 3 | 0 | 3 | 106 | 18261 | 3 | 0 | 3 | 111 | | |
| | | FN | 21747 | 5 | 0 | 5 | 132 | 22693 | 5 | 0 | 5 | 138 | 22693 | 5 | 0 | 5 | 138 | 22456 | 5 | 0 | 5 | 137 | 23638 | 5 | 0 | 5 | 144 | | |
| | | FM | 21886 | 5 | 0 | 4 | 133 | 22837 | 5 | 0 | 4 | 139 | 22837 | 5 | 0 | 4 | 139 | 22599 | 5 | 0 | 4 | 138 | 23789 | 5 | 0 | 5 | 145 | | |
| | | FW | 21811 | 4 | 0 | 3 | 133 | 22760 | 4 | 0 | 3 | 138 | 22760 | 4 | 0 | 3 | 138 | 22522 | 4 | 0 | 3 | 137 | 23708 | 4 | 0 | 4 | 144 | | |
| | | 160LD | 530 mA (253.5W) | T1 | 28626 | 4 | 0 | 4 | 113 | 29871 | 4 | 0 | 4 | 118 | 29871 | 4 | 0 | 4 | 118 | 29560 | 4 | 0 | 4 | 117 | 31116 | 4 | 0 | 4 | 123 |
| | | | | T2 | 30157 | 3 | 0 | 5 | 119 | 31468 | 3 | 0 | 5 | 124 | 31468 | 3 | 0 | 5 | 124 | 31141 | 3 | 0 | 5 | 123 | 32779 | 3 | 0 | 5 | 129 |
| | | | | T3R | 28593 | 3 | 0 | 4 | 113 | 29836 | 3 | 0 | 4 | 118 | 29836 | 3 | 0 | 4 | 118 | 29525 | 3 | 0 | 4 | 116 | 31079 | 3 | 0 | 4 | 123 |
| T3 | 28814 | | | 2 | 0 | 4 | 114 | 30067 | 2 | 0 | 4 | 119 | 30067 | 2 | 0 | 4 | 119 | 29754 | 2 | 0 | 4 | 117 | 31320 | 2 | 0 | 4 | 124 | | |
| T3W | 29042 | | | 3 | 0 | 4 | 115 | 30305 | 3 | 0 | 4 | 120 | 30305 | 3 | 0 | 4 | 120 | 29989 | 3 | 0 | 4 | 118 | 31567 | 3 | 0 | 4 | 125 | | |
| T3LG | 29061 | | | 3 | 0 | 4 | 115 | 30324 | 3 | 0 | 5 | 120 | 30324 | 3 | 0 | 5 | 120 | 30009 | 3 | 0 | 5 | 118 | 31588 | 3 | 0 | 5 | 125 | | |
| T4 | 26160 | | | 3 | 0 | 4 | 103 | 27297 | 3 | 0 | 4 | 108 | 27297 | 3 | 0 | 4 | 108 | 27013 | 3 | 0 | 4 | 107 | 28435 | 3 | 0 | 4 | 112 | | |
| T4A | 33871 | | | 3 | 0 | 4 | 134 | 35344 | 3 | 0 | 5 | 139 | 35344 | 3 | 0 | 5 | 139 | 34976 | 3 | 0 | 5 | 138 | 36816 | 3 | 0 | 5 | 145 | | |
| T4LG | 27735 | | | 3 | 0 | 4 | 109 | 28940 | 3 | 0 | 5 | 114 | 28940 | 3 | 0 | 5 | 114 | 28639 | 3 | 0 | 5 | 113 | 30146 | 3 | 0 | 5 | 119 | | |
| T4FT | 25662 | | | 3 | 0 | 4 | 101 | 26778 | 3 | 0 | 4 | 106 | 26778 | 3 | 0 | 4 | 106 | 26499 | 3 | 0 | 4 | 105 | 27894 | 3 | 0 | 4 | 110 | | |
| T5 | 28537 | | | 3 | 0 | 3 | 113 | 29778 | 4 | 0 | 3 | 117 | 29778 | 4 | 0 | 3 | 117 | 29468 | 4 | 0 | 3 | 116 | 31019 | 4 | 0 | 3 | 122 | | |
| T5LG | 28630 | | | 4 | 0 | 3 | 113 | 29875 | 4 | 0 | 3 | 118 | 29875 | 4 | 0 | 3 | 118 | 29564 | 4 | 0 | 3 | 117 | 31120 | 4 | 0 | 3 | 123 | | |
| T5W | 26298 | | | 3 | 0 | 4 | 104 | 27441 | 4 | 0 | 4 | 108 | 27441 | 4 | 0 | 4 | 108 | 27156 | 4 | 0 | 4 | 107 | 28585 | 4 | 0 | 4 | 113 | | |
| T5WW | 24843 | | | 4 | 0 | 4 | 98 | 25923 | 4 | 0 | 4 | 102 | 25923 | 4 | 0 | 4 | 102 | 25653 | 4 | 0 | 4 | 101 | 27004 | 4 | 0 | 4 | 107 | | |
| FN | 32159 | | | 5 | 0 | 5 | 127 | 33557 | 5 | 0 | 5 | 132 | 33557 | 5 | 0 | 5 | 132 | 33208 | 5 | 0 | 5 | 131 | 34956 | 5 | 0 | 5 | 138 | | |
| FM | 32364 | | | 5 | 0 | 5 | 128 | 33771 | 5 | 0 | 5 | 133 | 33771 | 5 | 0 | 5 | 133 | 33419 | 5 | 0 | 5 | 132 | 35178 | 5 | 0 | 5 | 139 | | |
| FW | 32254 | | | 4 | 0 | 4 | 127 | 33656 | 4 | 0 | 4 | 133 | 33656 | 4 | 0 | 4 | 133 | 33306 | 4 | 0 | 4 | 131 | 35059 | 4 | 0 | 5 | 136 | | |
| 160LD | 700 mA (339.7W) | | | T1 | 36428 | 4 | 0 | 5 | 107 | 38012 | 4 | 0 | 5 | 112 | 38012 | 4 | 0 | 5 | 112 | 37616 | 4 | 0 | 5 | 111 | 39596 | 4 | 0 | 5 | 117 |
| | | | | T2 | 38376 | 3 | 0 | 5 | 113 | 40045 | 3 | 0 | 5 | 118 | 40045 | 3 | 0 | 5 | 118 | 39627 | 3 | 0 | 5 | 117 | 41713 | 4 | 0 | 5 | 123 |
| | | | | T3R | 36385 | 3 | 0 | 5 | 107 | 37967 | 3 | 0 | 5 | 112 | 37967 | 3 | 0 | 5 | 112 | 37572 | 3 | 0 | 5 | 111 | 39549 | 3 | 0 | 5 | 116 |
| | | T3 | 36667 | 3 | 0 | 4 | 108 | 38261 | 3 | 0 | 5 | 113 | 38261 | 3 | 0 | 5 | 113 | 37863 | 3 | 0 | 5 | 111 | 39566 | 3 | 0 | 5 | 117 | | |
| | | T3W | 36957 | 3 | 0 | 5 | 109 | 38564 | 3 | 0 | 5 | 114 | 38564 | 3 | 0 | 5 | 114 | 38162 | 3 | 0 | 5 | 112 | 40170 | 3 | 0 | 5 | 118 | | |
| | | T3LG | 36981 | 3 | 0 | 5 | 109 | 38589 | 3 | 0 | 5 | 114 | 38589 | 3 | 0 | 5 | 114 | 38187 | 3 | 0 | 5 | 112 | 40197 | 3 | 0 | 5 | 118 | | |
| | | T4 | 33289 | 3 | 0 | 4 | 98 | 34737 | 3 | 0 | 4 | 102 | 34737 | 3 | 0 | 4 | 102 | 34375 | 3 | 0 | 4 | 101 | 36184 | 3 | 0 | 4 | 107 | | |
| | | T4A | 43102 | 3 | 0 | 5 | 127 | 44976 | 3 | 0 | 5 | 132 | 44976 | 3 | 0 | 5 | 132 | 44508 | 3 | 0 | 5 | 131 | 46850 | 3 | 0 | 5 | 138 | | |
| | | T4LG | 35293 | 3 | 0 | 5 | 104 | 36828 | 3 | 0 | 5 | 108 | 36828 | 3 | 0 | 5 | 108 | 36444 | 3 | 0 | 5 | 107 | 38362 | 3 | 0 | 5 | 113 | | |
| | | T4FT | 32656 | 3 | 0 | 5 | 96 | 34076 | 3 | 0 | 5 | 100 | 34076 | 3 | 0 | 5 | 100 | 33721 | 3 | 0 | 5 | 99 | 35496 | 3 | 0 | 5 | 104 | | |
| | | T5 | 36315 | 4 | 0 | 4 | 107 | 37894 | 4 | 0 | 4 | 112 | 37894 | 4 | 0 | 4 | 112 | 37499 | 4 | 0 | 4 | 110 | 39472 | 4 | 0 | 4 | 116 | | |
| | | T5LG | 36433 | 4 | 0 | 3 | 107 | 38017 | 4 | 0 | 3 | 112 | 38017 | 4 | 0 | 3 | 112 | 37621 | 4 | 0 | 3 | 111 | 39601 | 4 | 0 | 3 | 117 | | |
| | | T5W | 33465 | 4 | 0 | 4 | 99 | 34920 | 4 | 0 | 4 | 103 | 34920 | 4 | 0 | 4 | 103 | 34557 | 4 | 0 | 4 | 102 | 36375 | 4 | 0 | 4 | 107 | | |
| | | T5WW | 31614 | 4 | 0 | 4 | 93 | 32989 | 4 | 0 | 5 | 97 | 32989 | 4 | 0 | 5 | 97 | 32645 | 4 | 0 | 5 | 96 | 34363 | 4 | 0 | 5 | 101 | | |
| | | FN | 40924 | 5 | 0 | 5 | 120 | 42703 | 5 | 0 | 5 | 126 | 42703 | 5 | 0 | 5 | 126 | 42258 | 5 | 0 | 5 | 124 | 44482 | 5 | 0 | 5 | 131 | | |
| | | FM | 41184 | 5 | 0 | 5 | 121 | 42975 | 5 | 0 | 5 | 126 | 42975 | 5 | 0 | 5 | 126 | 42527 | 5 | 0 | 5 | 125 | 44765 | 5 | 0 | 5 | 132 | | |
| | | FW | 41044 | 4 | 0 | 5 | 121 | 42829 | 5 | 0 | 5 | 126 | 42829 | 5 | 0 | 5 | 126 | 42383 | 5 | 0 | 5 | 125 | 44613 | 5 | 0 | 5 | 131 | | |
| | | 160LD | 1050 mA (524.0W) | T1 | 49091 | 5 | 0 | 5 | 94 | 51225 | 5 | 0 | 5 | 98 | 51225 | 5 | 0 | 5 | 98 | 50691 | 5 | 0 | 5 | 97 | 53359 | 5 | 0 | 5 | 102 |
| | | | | T2 | 51716 | 4 | 0 | 5 | 99 | 53964 | 4 | 0 | 5 | 103 | 53964 | 4 | 0 | 5 | 103 | 53402 | 4 | 0 | 5 | 102 | 56213 | 4 | 0 | 5 | 107 |
| | | | | T3R | 49033 | 4 | 0 | 5 | 94 | 51165 | 4 | 0 | 5 | 98 | 51165 | 4 | 0 | 5 | 98 | 50632 | 4 | 0 | 5 | 97 | 53297 | 4 | 0 | 5 | 102 |
| T3 | 49413 | | | 3 | 0 | 5 | 94 | 51561 | 3 | 0 | 5 | 98 | 51561 | 3 | 0 | 5 | 98 | 51024 | 3 | 0 | 5 | 97 | 53710 | 3 | 0 | 5 | 103 | | |
| T3W | 49803 | | | 3 | 0 | 5 | 95 | 51969 | 3 | 0 | 5 | 99 | 51969 | 3 | 0 | 5 | 99 | 51427 | 3 | 0 | 5 | 98 | 54134 | 3 | 0 | 5 | 103 | | |
| T3LG | 49836 | | | 4 | 0 | 5 | 95 | 52003 | 4 | 0 | 5 | 99 | 52003 | 4 | 0 | 5 | 99 | 51461 | 4 | 0 | 5 | 98 | 54169 | 4 | 0 | 5 | 103 | | |
| T4 | 44861 | | | 3 | 0 | 5 | 86 | 46811 | 4 | 0 | 5 | 89 | 46811 | 4 | 0 | 5 | 89 | 46324 | 4 | 0 | 5 | 88 | 48762 | 4 | 0 | 5 | 93 | | |
| T4A | 58085 | | | 4 | 0 | 5 | 111 | 60610 | 4 | 0 | 5 | 116 | 60610 | 4 | 0 | 5 | 116 | 59979 | 4 | 0 | 5 | 114 | 63136 | 4 | 0 | 5 | 120 | | |
| T4LG | 47561 | | | 4 | 0 | 5 | 91 | 49629 | 4 | 0 | 5 | 95 | 49629 | 4 | 0 | 5 | 95 | 49112 | 4 | 0 | 5 | 94 | 51697 | 4 | 0 | 5 | 99 | | |
| T4FT | 44008 | | | 3 | 0 | 5 | 84 | 45921 | 3 | 0 | 5 | 88 | 45921 | 3 | 0 | 5 | 88 | 45443 | 3 | 0 | 5 | 87 | 47834 | 4 | 0 | 5 | 91 | | |

| VLX-1-CLS LED SPECIFICATIONS / Forward Optics | | | | | | | | | | | | | | | | | | | | | | | | | | | | | |
|---|-----------------|-------------------|------------------|-----|-------|---|-----|--------|-----|-------|---|-----|--------|-----|-------|---|-----|--------|-----|-------|---|-----|--------|-----|-------|---|-----|---|-----|
| Led Count | Current & Watts | Distribution Type | 70CRI | | | | | | | | | | | | | | | | | | | | | | | | | | |
| | | | 27K | | | | | 30K | | | | | 35K | | | | | 40K | | | | | 50K | | | | | | |
| | | | Lumens | B | U | G | LPW | Lumens | B | U | G | LPW | Lumens | B | U | G | LPW | Lumens | B | U | G | LPW | Lumens | B | U | G | LPW | | |
| 192LD | 350 mA (197.2W) | T1 | 22931 | 4 | 0 | 4 | 116 | 23928 | 4 | 0 | 4 | 121 | 23928 | 4 | 0 | 4 | 121 | 23679 | 4 | 0 | 4 | 120 | 24925 | 4 | 0 | 4 | 126 | | |
| | | T2 | 24157 | 3 | 0 | 5 | 123 | 25208 | 3 | 0 | 5 | 128 | 25208 | 3 | 0 | 5 | 128 | 24945 | 3 | 0 | 5 | 126 | 26258 | 3 | 0 | 5 | 133 | | |
| | | T3R | 22904 | 3 | 0 | 3 | 116 | 23900 | 3 | 0 | 4 | 121 | 23900 | 3 | 0 | 4 | 121 | 23651 | 3 | 0 | 4 | 120 | 24896 | 3 | 0 | 4 | 126 | | |
| | | T3 | 23082 | 2 | 0 | 3 | 117 | 24085 | 2 | 0 | 3 | 122 | 24085 | 2 | 0 | 3 | 122 | 23834 | 2 | 0 | 3 | 121 | 25089 | 2 | 0 | 3 | 127 | | |
| | | T3W | 23264 | 2 | 0 | 4 | 118 | 24276 | 2 | 0 | 4 | 123 | 24276 | 2 | 0 | 4 | 123 | 24023 | 2 | 0 | 4 | 122 | 25287 | 2 | 0 | 4 | 128 | | |
| | | T3LG | 23279 | 3 | 0 | 4 | 118 | 24291 | 3 | 0 | 4 | 123 | 24291 | 3 | 0 | 4 | 123 | 24038 | 3 | 0 | 4 | 122 | 25304 | 3 | 0 | 4 | 128 | | |
| | | T4 | 20955 | 3 | 0 | 3 | 106 | 21866 | 3 | 0 | 3 | 111 | 21866 | 3 | 0 | 3 | 111 | 21639 | 3 | 0 | 3 | 110 | 22778 | 3 | 0 | 3 | 116 | | |
| | | T4A | 27133 | 3 | 0 | 4 | 138 | 28312 | 3 | 0 | 4 | 144 | 28312 | 3 | 0 | 4 | 144 | 28017 | 3 | 0 | 4 | 142 | 29492 | 3 | 0 | 4 | 150 | | |
| | | T4LG | 22217 | 3 | 0 | 4 | 113 | 23183 | 3 | 0 | 4 | 118 | 23183 | 3 | 0 | 4 | 118 | 22941 | 3 | 0 | 4 | 116 | 24149 | 3 | 0 | 4 | 122 | | |
| | | T4FT | 20557 | 3 | 0 | 4 | 104 | 21451 | 3 | 0 | 4 | 109 | 21451 | 3 | 0 | 4 | 109 | 21227 | 3 | 0 | 4 | 108 | 22344 | 3 | 0 | 4 | 113 | | |
| | | T5 | 22860 | 3 | 0 | 3 | 116 | 23854 | 3 | 0 | 3 | 121 | 23854 | 3 | 0 | 3 | 121 | 23605 | 3 | 0 | 3 | 120 | 24848 | 3 | 0 | 3 | 126 | | |
| | | T5LG | 22934 | 3 | 0 | 3 | 116 | 23932 | 3 | 0 | 3 | 121 | 23932 | 3 | 0 | 3 | 121 | 23682 | 3 | 0 | 3 | 120 | 24929 | 3 | 0 | 3 | 126 | | |
| | | T5W | 21066 | 3 | 0 | 3 | 107 | 21982 | 3 | 0 | 3 | 111 | 21982 | 3 | 0 | 3 | 111 | 21753 | 3 | 0 | 3 | 110 | 22898 | 3 | 0 | 3 | 116 | | |
| | | T5WW | 19901 | 3 | 0 | 3 | 101 | 20766 | 3 | 0 | 4 | 105 | 20766 | 3 | 0 | 4 | 105 | 20550 | 3 | 0 | 4 | 104 | 21631 | 3 | 0 | 4 | 110 | | |
| | | FN | 25761 | 5 | 0 | 5 | 131 | 26881 | 5 | 0 | 5 | 136 | 26881 | 5 | 0 | 5 | 136 | 26601 | 5 | 0 | 5 | 135 | 28001 | 5 | 0 | 5 | 142 | | |
| | | FM | 25925 | 5 | 0 | 5 | 131 | 27052 | 5 | 0 | 5 | 137 | 27052 | 5 | 0 | 5 | 137 | 26771 | 5 | 0 | 5 | 136 | 28180 | 5 | 0 | 5 | 143 | | |
| | | FW | 25837 | 4 | 0 | 4 | 131 | 26960 | 4 | 0 | 4 | 137 | 26960 | 4 | 0 | 4 | 137 | 26680 | 4 | 0 | 4 | 135 | 28084 | 4 | 0 | 4 | 142 | | |
| | | 192LD | 530 mA (304.1W) | T1 | 33910 | 4 | 0 | 5 | 111 | 35384 | 4 | 0 | 5 | 116 | 35384 | 4 | 0 | 5 | 116 | 35016 | 4 | 0 | 5 | 115 | 36659 | 4 | 0 | 5 | 121 |
| | | | | T2 | 35723 | 3 | 0 | 5 | 117 | 37277 | 3 | 0 | 5 | 123 | 37277 | 3 | 0 | 5 | 123 | 36888 | 3 | 0 | 5 | 121 | 38830 | 3 | 0 | 5 | 128 |
| | | | | T3R | 33870 | 3 | 0 | 4 | 111 | 35343 | 3 | 0 | 5 | 116 | 35343 | 3 | 0 | 5 | 116 | 34975 | 3 | 0 | 5 | 115 | 36816 | 3 | 0 | 5 | 121 |
| T3 | 34133 | | | 2 | 0 | 4 | 112 | 35617 | 2 | 0 | 4 | 117 | 35617 | 2 | 0 | 4 | 117 | 35246 | 2 | 0 | 4 | 116 | 37101 | 2 | 0 | 4 | 122 | | |
| T3W | 34402 | | | 3 | 0 | 5 | 113 | 35898 | 3 | 0 | 5 | 118 | 35898 | 3 | 0 | 5 | 118 | 35524 | 3 | 0 | 5 | 117 | 37394 | 3 | 0 | 5 | 123 | | |
| T3LG | 34425 | | | 3 | 0 | 5 | 113 | 35922 | 3 | 0 | 5 | 118 | 35922 | 3 | 0 | 5 | 118 | 35547 | 3 | 0 | 5 | 117 | 37418 | 3 | 0 | 5 | 123 | | |
| T4 | 30988 | | | 3 | 0 | 4 | 102 | 32336 | 3 | 0 | 4 | 106 | 32336 | 3 | 0 | 4 | 106 | 31999 | 3 | 0 | 4 | 105 | 33683 | 3 | 0 | 4 | 111 | | |
| T4A | 40123 | | | 3 | 0 | 5 | 132 | 41867 | 3 | 0 | 5 | 138 | 41867 | 3 | 0 | 5 | 138 | 41431 | 3 | 0 | 5 | 136 | 43612 | 3 | 0 | 5 | 143 | | |
| T4LG | 32854 | | | 3 | 0 | 5 | 108 | 34282 | 3 | 0 | 5 | 113 | 34282 | 3 | 0 | 5 | 113 | 33925 | 3 | 0 | 5 | 112 | 35711 | 3 | 0 | 5 | 117 | | |
| T4FT | 30399 | | | 3 | 0 | 5 | 100 | 31721 | 3 | 0 | 5 | 104 | 31721 | 3 | 0 | 5 | 104 | 31390 | 3 | 0 | 5 | 103 | 33042 | 3 | 0 | 5 | 109 | | |
| T5 | 33805 | | | 4 | 0 | 4 | 111 | 35274 | 4 | 0 | 4 | 116 | 35274 | 4 | 0 | 4 | 116 | 34907 | 4 | 0 | 4 | 115 | 36744 | 4 | 0 | 4 | 121 | | |
| T5LG | 33915 | | | 4 | 0 | 3 | 112 | 35389 | 4 | 0 | 3 | 116 | 35389 | 4 | 0 | 3 | 116 | 35021 | 4 | 0 | 3 | 115 | 36884 | 4 | 0 | 3 | 121 | | |
| T5W | 31152 | | | 4 | 0 | 4 | 102 | 32506 | 4 | 0 | 4 | 107 | 32506 | 4 | 0 | 4 | 107 | 32168 | 4 | 0 | 4 | 106 | 33861 | 4 | 0 | 4 | 111 | | |
| T5WW | 29429 | | | 4 | 0 | 4 | 97 | 30708 | 4 | 0 | 4 | 101 | 30708 | 4 | 0 | 4 | 101 | 30388 | 4 | 0 | 4 | 100 | 31988 | 4 | 0 | 4 | 105 | | |
| FN | 38095 | | | 5 | 0 | 5 | 125 | 39751 | 5 | 0 | 5 | 131 | 39751 | 5 | 0 | 5 | 131 | 39337 | 5 | 0 | 5 | 129 | 41408 | 5 | 0 | 5 | 136 | | |
| FM | 38338 | | | 5 | 0 | 5 | 128 | 40004 | 5 | 0 | 5 | 132 | 40004 | 5 | 0 | 5 | 132 | 39588 | 5 | 0 | 5 | 130 | 41671 | 5 | 0 | 5 | 137 | | |
| FW | 38207 | | | 4 | 0 | 5 | 126 | 39868 | 4 | 0 | 5 | 131 | 39868 | 4 | 0 | 5 | 131 | 39453 | 4 | 0 | 5 | 130 | 41529 | 4 | 0 | 5 | 137 | | |
| 192LD | 700 mA (407.7W) | | | T1 | 43152 | 5 | 0 | 5 | 106 | 45028 | 5 | 0 | 5 | 110 | 45028 | 5 | 0 | 5 | 110 | 44559 | 5 | 0 | 5 | 109 | 46904 | 5 | 0 | 5 | 115 |
| | | | | T2 | 45459 | 4 | 0 | 5 | 112 | 47436 | 4 | 0 | 5 | 116 | 47436 | 4 | 0 | 5 | 116 | 46942 | 4 | 0 | 5 | 115 | 49412 | 4 | 0 | 5 | 121 |
| | | | | T3R | 43101 | 3 | 0 | 5 | 106 | 44975 | 3 | 0 | 5 | 110 | 44975 | 3 | 0 | 5 | 110 | 44507 | 3 | 0 | 5 | 109 | 46849 | 3 | 0 | 5 | 115 |
| | | T3 | 43435 | 3 | 0 | 5 | 107 | 45324 | 3 | 0 | 5 | 111 | 45324 | 3 | 0 | 5 | 111 | 44852 | 3 | 0 | 5 | 110 | 47212 | 3 | 0 | 5 | 116 | | |
| | | T3W | 43778 | 3 | 0 | 5 | 107 | 45682 | 3 | 0 | 5 | 112 | 45682 | 3 | 0 | 5 | 112 | 45206 | 3 | 0 | 5 | 111 | 47585 | 3 | 0 | 5 | 117 | | |
| | | T3LG | 43807 | 3 | 0 | 5 | 107 | 45712 | 3 | 0 | 5 | 112 | 45712 | 3 | 0 | 5 | 112 | 45235 | 3 | 0 | 5 | 111 | 47616 | 3 | 0 | 5 | 117 | | |
| | | T4 | 39434 | 3 | 0 | 5 | 97 | 41148 | 3 | 0 | 5 | 101 | 41148 | 3 | 0 | 5 | 101 | 40720 | 3 | 0 | 5 | 100 | 42863 | 3 | 0 | 5 | 105 | | |
| | | T4A | 51058 | 3 | 0 | 5 | 125 | 53278 | 3 | 0 | 5 | 131 | 53278 | 3 | 0 | 5 | 131 | 52723 | 3 | 0 | 5 | 129 | 55498 | 3 | 0 | 5 | 136 | | |
| | | T4LG | 41808 | 4 | 0 | 5 | 103 | 43625 | 4 | 0 | 5 | 107 | 43625 | 4 | 0 | 5 | 107 | 43171 | 4 | 0 | 5 | 106 | 45443 | 4 | 0 | 5 | 111 | | |
| | | T4FT | 38684 | 3 | 0 | 5 | 95 | 40366 | 3 | 0 | 5 | 99 | 40366 | 3 | 0 | 5 | 99 | 39945 | 3 | 0 | 5 | 98 | 42048 | 3 | 0 | 5 | 103 | | |
| | | T5 | 43018 | 4 | 0 | 4 | 106 | 44888 | 4 | 0 | 4 | 110 | 44888 | 4 | 0 | 4 | 110 | 44420 | 4 | 0 | 4 | 109 | 46758 | 4 | 0 | 4 | 115 | | |
| | | T5LG | 43158 | 4 | 0 | 4 | 106 | 45034 | 4 | 0 | 4 | 110 | 45034 | 4 | 0 | 4 | 110 | 44565 | 4 | 0 | 4 | 109 | 46911 | 4 | 0 | 4 | 115 | | |
| | | T5W | 39642 | 4 | 0 | 5 | 97 | 41366 | 4 | 0 | 5 | 101 | 41366 | 4 | 0 | 5 | 101 | 40935 | 4 | 0 | 5 | 100 | 43089 | 4 | 0 | 5 | 106 | | |
| | | T5WW | 37449 | 4 | 0 | 5 | 92 | 39078 | 4 | 0 | 5 | 96 | 39078 | 4 | 0 | 5 | 96 | 38670 | 4 | 0 | 5 | 95 | 40706 | 4 | 0 | 5 | 100 | | |
| | | FN | 48477 | 5 | 0 | 5 | 119 | 50685 | 5 | 0 | 5 | 124 | 50685 | 5 | 0 | 5 | 124 | 50058 | 5 | 0 | 5 | 123 | 52693 | 5 | 0 | 5 | 129 | | |
| | | FM | 48786 | 5 | 0 | 5 | 120 | 50907 | 5 | 0 | 5 | 125 | 50907 | 5 | 0 | 5 | 125 | 50377 | 5 | 0 | 5 | 124 | 53028 | 5 | 0 | 5 | 130 | | |
| | | FW | 48620 | 5 | 0 | 5 | 119 | 50734 | 5 | 0 | 5 | 124 | 50734 | 5 | 0 | 5 | 124 | 50205 | 5 | 0 | 5 | 123 | 52848 | 5 | 0 | 5 | 130 | | |
| | | 192LD | 1050 mA (628.8W) | T1 | 58152 | 5 | 0 | 5 | 92 | 60880 | 5 | 0 | 5 | 97 | 60880 | 5 | 0 | 5 | 97 | 60048 | 5 | 0 | 5 | 95 | 63208 | 5 | 0 | 5 | 101 |
| | | | | T2 | 61261 | 4 | 0 | 5 | 97 | 63925 | 4 | 0 | 5 | 102 | 63925 | 4 | 0 | 5 | 102 | 63259 | 4 | 0 | 5 | 101 | 66588 | 4 | 0 | 5 | 106 |
| | | | | T3R | 58083 | 4 | 0 | 5 | 92 | 60609 | 4 | 0 | 5 | 96 | 60609 | 4 | 0 | 5 | 96 | 59977 | 4 | 0 | 5 | 9 | | | | | |