

VSC-II LED Specifications

Area - Site - Commercial - Outdoor - Wall



The VSC-II LED wall mount Series continues the unique contemporary design that is inspired by the V-Collection light series. It combines LED performance and advanced LED thermal management technology and provides lighting that is energy efficient and aesthetically pleasing.

The LED performance and the driver's life are maximized by enclosing them in two separate cast aluminum housings. Easy access for mounting and maintenance.

The LED light assemblies come with 16 to 48 LEDs. Available with 17 IES distribution patterns.

- CRI values are 70, 80 or 90.
- CCT values are 2700K, 3000K, 3500K, 4000K, 5000K

The VSC-II Series offers an impressive output of up to 13,500 lumens with a wattage package reaching up to 105 watts, delivering an average efficiency of 170 lumens per watt. With integrated controls, the VSC-II ensures optimal lighting coverage while minimizing energy consumption.

A durable polyester powder coat finish is guaranteed for five years; and is available in standard or custom colors.

The VSC-II LED Series is an exceptional choice for office complexes, schools, commercial buildings, and many architectural projects.

Project Name:

Catalog Number:

Type:

Date:

Location:

LED Specifications **VSC-II**

MODEL	OPTICS	LEDs	CURRENT	CCT	
VSC-II	T1 Type 1 T2 Type 2 T3 Type 3 T3R Type 3 Round T3W Type 3 Wide T3LG Type 3 Low Glare T4 Type 4 T4A Type 4 Automotive T4FT Type 4 Forward Throw T4LG Type 4 Low Glare	T5 Type 5 T5W Type 5 Wide T5WW Type 5 Extra Wide T5LG Type 5 Low Glare FN Flood Narrow FM Flood Medium FW Flood Wide	16LD 32LD 48LD	3 350mA 5 530mA 7 700mA 10 1050mA 12 1200mA	27K7 27K8 27K9 2700K 70, 80, & 90 CRI 30K7 30K8 30K9 3000K 70, 80, & 90 CRI 35K7 35K8 35K9 3500K 70, 80, & 90 CRI 40K7 40K8 40K9 4000K 70, 80, & 90 CRI 50K7 50K8 50K9 5000K 70, 80, & 90 CRI

VOLTAGE	MOUNTING	FINISH	CONTROL OPTIONS	SHIELD OPTIONS	OPTIONS
UNV 120-277V 8 347V 5 480V	WM Wall Mount VCB Conduit Box Mounting Plate with (2) 1/2" Threaded Conduit Holes	BZ Bronze BK Black GY Grey SBK Smooth Black WH White SWH Smooth White GP Graphite GY Grey SL Silver Metallic ZFP Zinc-Free Primer Coat CC Custom Color	PC-120 PC-208 PC-240 PC-277 Button Type Photocell DIM 0-10v Dimming Driver DTF Dim to Off DTO Dim to Off Driver WSP6-L2 WSP6-L3 WSP6-L7 8' Mounting Height 9-20' Mounting Height 21-40' Mounting Height WSC-8 WSC-20 WSC-40 8' Mounting Height 9-20' Mounting Height 21-40' Mounting Height *The WSC option will require (1) FSIR 100 remote for programming Z10 or Z18 Zhaga 4 Pin Receptacle WVC Visionaire Wireless Control	CLS Backside cutoff shield *Not to be used with KM RCLS Rightside cutoff shield *Not to be used with KM LCLS Leftside cutoff shield *Not to be used with KM BHS House shield	UP Up-Light Orientation *Not available with motion sensor or EBPL ROT-R Rotated Optics Right Side ROT-L Rotated Optics Left Side BBG Bird Spikes EBPL Emergency Battery Pack *Universal Voltage only Rated for 10 ³ C to 50 ³ C *Not available in Up Light Orientation EBPL-CLD Cold Weather Emergency Battery Pack *Universal Voltage only Rated for -20 ³ C to 50 ³ C *Not available in Up Light Orientation *Not available with WSP6 BP Back Plate BAA Buy America(n) Act Compliant BABA Build America Buy American

Heatsink

Cast aluminum heatsink with integral cooling fins for thermal management.

Mounting/Driver Compartment

- Durable two-piece cast aluminum driver compartment utilizes a quick mount/set screw mounting for ease of maintenance and sealed with a one-piece gasket.
- Up-Light Orientation

Thermal Management

- The VSC-II series provides excellent thermal management by mounting the LEDs to the substantial heat sink of the housing. This enables the Luminaire to withstand higher ambient temperatures and driver currents without degrading LED life.
- The L70 test determines the point in an LEDs life when it reaches 70 percent of its initial output. The VSC-II series LEDs have been determined to last 100,000+ hours in 25° C environments when driven at 700 mA.

Optical System

- The highest lumen output LEDs are utilized in the VSC-II series.
- Available with 17 precision IES distribution patterns.
- CRI Options: 70, 80, or 90.
- CCT Options: 2700K, 3000K, 3500K, 4000K, 5000K.

Quali-Guard® Finish

- The finish is a Quali-Guard® textured, chemically pretreated through a multiple-stage washer, electrostatically applied, thermoset polyester powder coat finish, with a minimum of 3-5 mils thickness. Finish is oven-baked at 400° F to promote maximum adherence and finish hardness. All finishes are available in standard and custom colors.
- Finish is guaranteed for five (5) years.

Electrical Assembly

- The VSC-II LED series is supplied with a choice of 350, 530, 700, 1050, or 1200mA high-performance LED drivers that accept 120v thru 480v, 50 Hz to 60 Hz, input.
- Rated for -50°C operations.
- Power factor of 90%.
- THD less than or equal to 20%
- 10 kV surge protector supplied as standard.

Warranty

Five (5) year Limited Warranty on electrical components, Five (5) year on finish. For full warranty information, please visit visionairelighting.com

Options

- Wattstopper Plus
- Wattstopper FSP-211 Motion Sensor/Control
- Button Type Photocell
- 0-10 Volt Dimming Driver
- Back Plate
- Cut-Off Louver Shield
- Up-Light Orientation
- Emergency Battery Pack
- Cold Weather Emergency Battery Pack (Rated for -20°C)
- Visionaire Wireless Control
- Rotated Optics
- Bird Spikes
- BAA / BABA

Listings

- The VSC-II is cUL listed, suitable for wet locations.
- IP65 Rated
- Powder Coated Tough
- IDA Certification

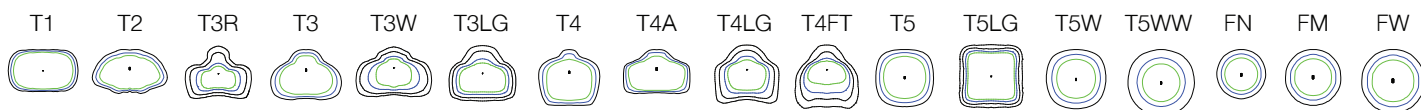
3000K or lower must be selected for IDA certification.

**Light Color**

Correlated Color Temperature (CCT)

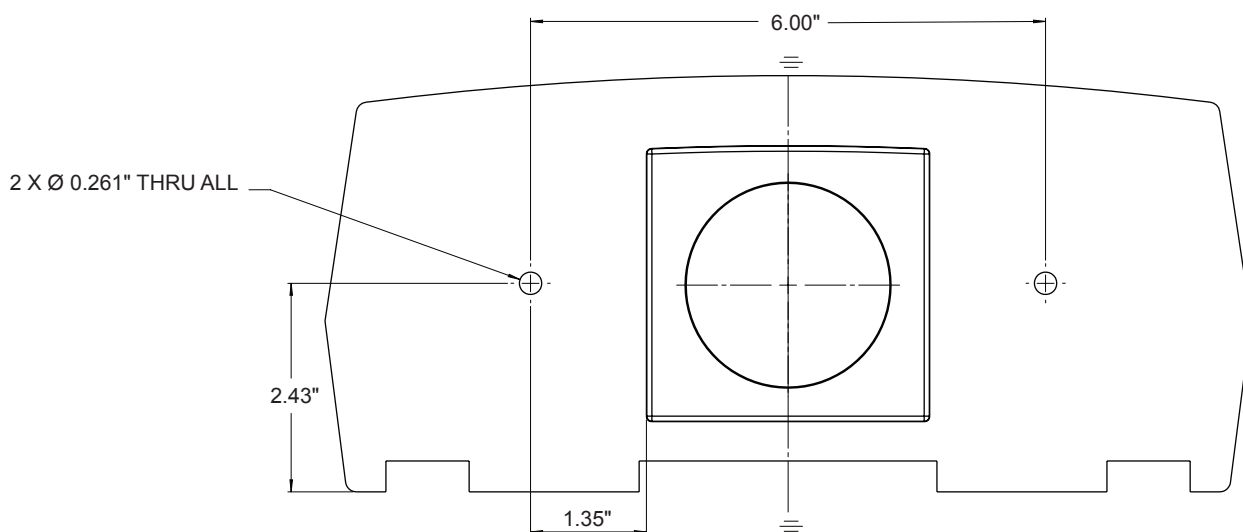
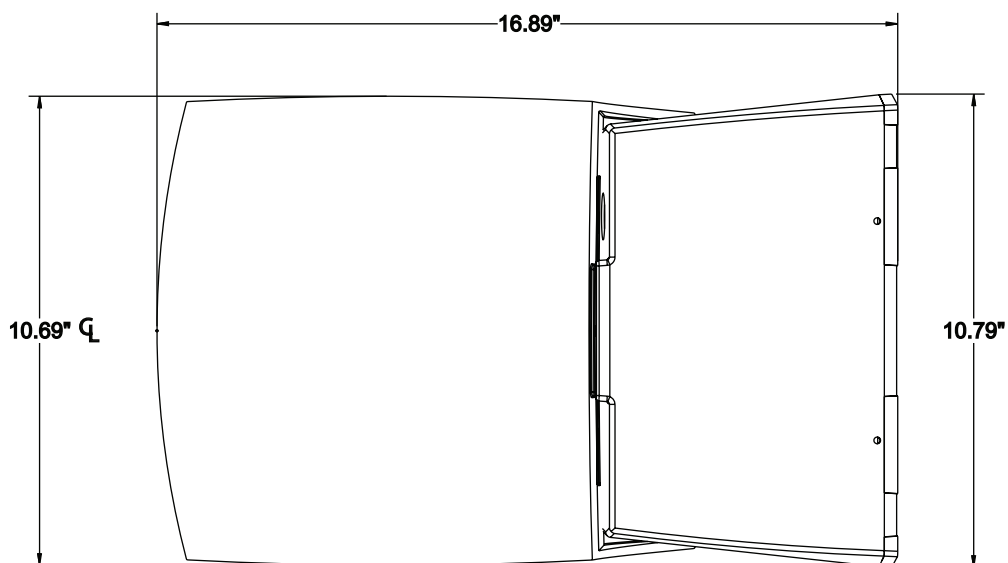
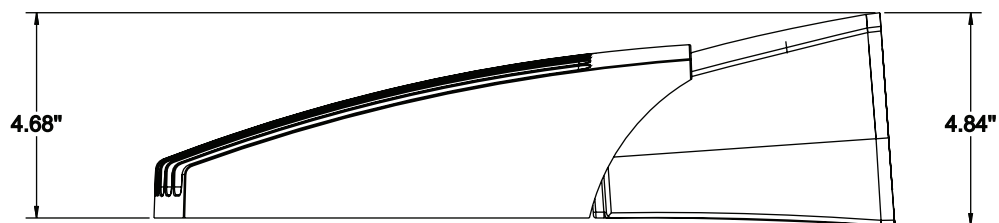


Photometric Optical Summary



Dimensions

Width:	VSC-II 10.8"
Depth:	VSC-II 17"
Height:	VSC-II 5"
Weight:	20 LBS



WATTSTOPPER PLUS

FSP-600 Series

The FSP-600 series by Wattstopper PLUS is an integrated luminaire level lighting controller and sensor for indoor/outdoor lighting applications that require networked wireless control. The FSP-600 is designed to integrate directly into exterior, high bay, parking garage, and general site lighting solutions. It is a passive infrared (PIR) sensor and closed loop photosensor.

The FSP-600 series design intends to reduce installer labor time and make on-site start up easy for technicians.

Once commissioned and paired to a Wattstopper PLUS network, the devices can measure both motion and daylight contribution in order to automatically switch or dim lighting. It also provides the ability to communicate to other fixtures in the space without any front-end devices.

The Wattstopper PLUS FSP-600 series is available in a few different options including: internal, external straight nipple, and external drop nipple. Sensor lens options sold separately and should be ordered based on designed mounting height and desired finish.

FSP-621



FSP-200 Series

The FSP-200 series sensors provide multi-level control based on motion and/or daylight contribution. They control 0-10 VDC LED drivers or dimming ballasts, as well as non-dimming ballasts and, with an FSP-Lx Lens, are rated for wet and cold locations. All control parameters are adjustable via a wireless configuration tool capable of storing and transmitting sensor profiles. The FSP-200 series is available in two different voltage configurations adding flexibility to your fixture design or project.

Typically, the sensor ramps lighting On to the selected High mode level when motion is detected and the ambient light level is below the hold off setpoint. After the sensor stops detecting movement and the time delay elapses, lights fade to the Low mode level. If there is no motion during the subsequent cut off time delay, the lights will turn Off. For dusk to dawn control, the integral photocell can switch the lights On and Off based on the ambient light level so that lighting remains on overnight even without motion detection.

Initial setup and subsequent sensor adjustments are made using a Wireless Handheld Configuration Tool (FSIR-100). This tool enables adjustment of parameters including high and low modes, sensitivity, time delay, cut off and more. The FSIR-100 is also used to initiate automatic calibration of the FSP-2x1B ambient light level setpoint. The setpoint is used to hold the controlled lighting off or at a low level when there is sufficient daylight. The wireless tool stores up to six sensor parameter profiles to speed configuration of multiple sensors.

FSP-211

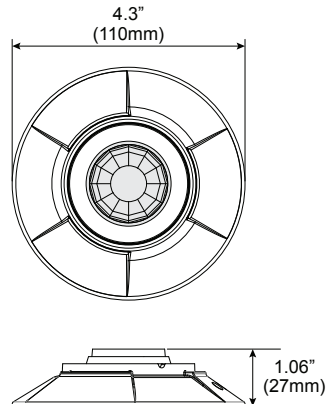


FSP-221

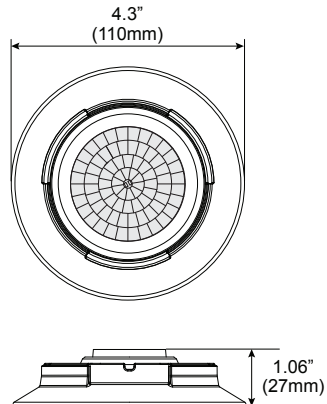


The FSP-Lx-S models include a shroud, which blocks high-angle light coming from the fixture, to improve photocell performance. With the shroud attached, the dimensions for all three lenses are identical

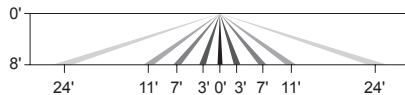
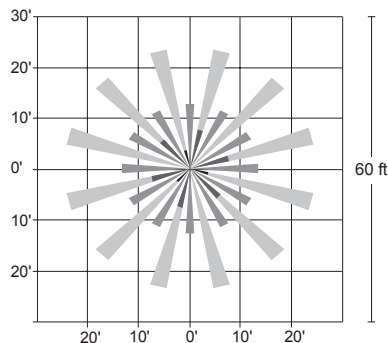
FSP-L2-S and FSP-L3-S



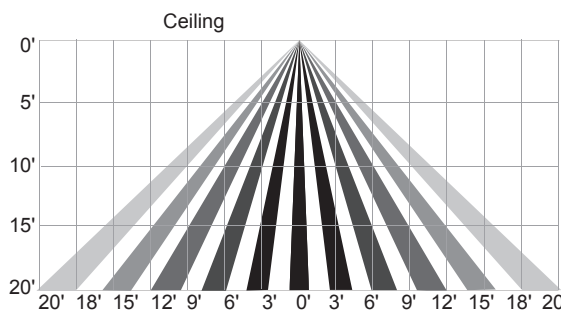
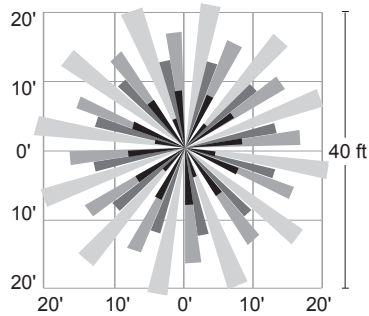
FSP-L7-S



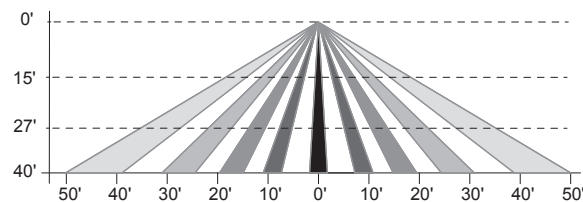
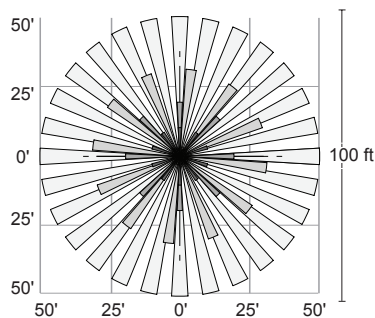
COVERAGE



FSP-L2 top and side coverage patterns



FSP-L3 top and side coverage patterns



FSP-L7 top and side coverage patterns

		VSC-II LED SPECIFICATIONS / Forward Optics																																				
Led Count	Current & Watts	Distribution Type	27K												30K												70CRI											
			27K				30K				35K				40K				50K																			
			Lumens	B	U	G	LPW	Lumens	B	U	G	LPW	Lumens	B	U	G	LPW	Lumens	B	U	G	LPW	Lumens	B	U	G	LPW											
16LD	350 mA (16.4W)	T1	2435	2	0	2	148	2541	2	0	2	155	2541	2	0	2	155	2515	2	0	2	153	2647	2	0	2	161											
		T2	2348	1	0	1	143	2450	1	0	1	149	2450	1	0	1	149	2425	1	0	1	148	2552	1	0	1	155											
		T3R	2424	1	0	1	147	2529	1	0	1	154	2529	1	0	1	154	2503	1	0	1	152	2634	1	0	1	160											
		T3	2392	1	0	1	146	2496	1	0	1	152	2496	1	0	1	152	2470	1	0	1	150	2599	1	0	1	158											
		T3W	2419	1	0	1	147	2525	1	0	1	154	2525	1	0	1	154	2498	1	0	1	152	2630	1	0	1	160											
		T3LG	2430	1	0	1	148	2536	1	0	1	154	2536	1	0	1	154	2510	1	0	1	153	2642	1	0	1	161											
		T4	2391	1	0	1	146	2495	1	0	1	152	2495	1	0	1	152	2469	1	0	1	150	2599	1	0	1	158											
		T4A	2520	1	0	1	153	2630	1	0	1	160	2630	1	0	1	160	2602	1	0	1	158	2739	1	0	1	167											
		T4LG	2424	1	0	1	148	2529	1	0	1	154	2529	1	0	1	154	2503	1	0	1	152	2635	1	0	1	160											
		T4FT	2461	1	0	1	150	2440	1	0	1	148	2440	1	0	1	148	2542	1	0	1	155	2676	1	0	1	163											
		T5	2422	1	0	1	147	2527	1	0	1	154	2527	1	0	1	154	2501	1	0	1	152	2633	1	0	1	160											
		T5LG	2447	1	0	1	149	2554	1	0	1	155	2554	1	0	1	155	2527	1	0	1	154	2660	1	0	1	162											
		T5W	2327	2	0	1	142	2428	2	0	1	148	2428	2	0	1	148	2402	2	0	1	146	2529	2	0	1	154											
		T5WW	2200	2	0	1	134	2295	2	0	1	140	2295	2	0	1	140	2271	2	0	1	138	2391	2	0	1	146											
		FN	2563	2	0	1	156	2675	2	0	1	163	2675	2	0	1	163	2647	2	0	1	161	2786	2	0	1	170											
		FM	2544	2	0	1	155	2654	2	0	1	162	2654	2	0	1	162	2627	2	0	1	160	2765	2	0	1	168											
		FW	2373	1	0	0	144	2476	1	0	0	151	2476	1	0	0	151	2450	1	0	0	149	2579	1	0	0	157											
		16LD	530 mA (25.3W)	T1	3690	2	0	2	146	3851	2	0	2	152	3851	2	0	2	152	3811	2	0	2	150	4011	2	0	2	158									
				T2	3558	1	0	1	140	3713	1	0	2	146	3713	1	0	2	146	3674	1	0	1	145	3867	1	0	2	153									
				T3R	3673	1	0	1	145	3832	1	0	1	151	3832	1	0	1	151	3792	1	0	1	150	3992	1	0	1	158									
T3	3624			1	0	1	143	3781	1	0	1	149	3781	1	0	1	149	3742	1	0	1	148	3939	1	0	1	155											
T3W	3666			1	0	1	145	3825	1	0	1	151	3825	1	0	1	151	3786	1	0	1	149	3985	1	0	1	157											
T3LG	3683			1	0	1	145	3843	1	0	1	152	3843	1	0	1	152	3803	1	0	1	150	4003	1	0	1	158											
T4	3623			1	0	1	143	3780	1	0	1	149	3780	1	0	1	149	3741	1	0	1	148	3938	1	0	1	155											
T4A	3818			1	0	1	151	3985	1	0	1	157	3985	1	0	1	157	3943	1	0	1	156	4151	1	0	1	164											
T4LG	3673			1	0	1	145	3833	1	0	1	151	3833	1	0	1	151	3793	1	0	1	150	3992	1	0	1	158											
T4FT	3730			1	0	1	147	3697	1	0	1	146	3697	1	0	1	146	3851	1	0	1	152	4054	1	0	2	160											
T5	3670			2	0	1	145	3830	2	0	1	151	3830	2	0	1	151	3790	2	0	1	150	3989	2	0	1	157											
T5LG	3708			2	0	1	146	3869	2	0	1	153	3869	2	0	1	153	3829	2	0	1	151	4030	2	0	1	159											
T5W	3525			2	0	1	139	3679	2	0	1	145	3679	2	0	1	145	3640	2	0	1	144	3832	2	0	1	151											
T5WW	3333			2	0	1	132	3478	2	0	1	137	3478	2	0	1	137	3442	2	0	1	136	3623	2	0	1	143											
FN	3884			3	0	1	153	4053	3	0	1	160	4053	3	0	1	160	4011	3	0	1	158	4222	3	0	1	167											
FM	3855			3	0	1	152	4022	3	0	1	159	4022	3	0	1	159	3980	3	0	1	157	4190	3	0	1	165											
FW	3596			2	0	1	142	3752	2	0	1	148	3752	2	0	1	148	3713	2	0	1	147	3908	2	0	1	154											
16LD	700 mA (34.0W)			T1	4877	3	0	3	144	5089	3	0	3	150	5089	3	0	3	150	5036	3	0	3	148	5301	3	0	3	156									
				T2	4702	1	0	2	138	4906	1	0	2	144	4906	1	0	2	144	4855	1	0	2	143	5111	1	0	2	150									
				T3R	4853	1	0	2	143	5064	1	0	2	149	5064	1	0	2	149	5011	1	0	2	148	5275	1	0	2	155									
		T3	4789	1	0	1	141	4997	1	0	1	147	4997	1	0	1	147	4945	1	0	1	146	5205	1	0	1	153											
		T3W	4845	1	0	1	143	5055	1	0	1	149	5055	1	0	1	149	5003	1	0	1	147	5266	1	0	1	155											
		T3LG	4867	1	0	1	143	5078	1	0	1	149	5078	1	0	1	149	5025	1	0	1	148	5290	1	0	1	156											
		T4	4788	1	0	1	141	4996	1	0	1	147	4996	1	0	1	147	4944	1	0	1	146	5204	1	0	1	153											
		T4A	5046	1	0	1	149	5265	1	0	1	155	5265	1	0	1	155	5211	1	0	1	153	5485	1	0	1	161											
		T4LG	4854	1	0	1	143	5065	1	0	1	149	5065	1	0	1	149	5012	1	0	1	148	5276	1	0	1	155											
		T4FT	4929	1	0	2	145	4886	1	0	2	144	4886	1	0	2	144	5090	1	0	2	150	5357	1	0	2	158											
		T5	4850	2	0	1	143	5061	2	0	1	149	5061	2	0	1	149	5008	2	0	1	147	5272	2	0	1	155											
		T5LG	4900	2	0	1	144	5113	2	0	1	151	5113	2	0	1	151	5060	2	0	1	149	5326	2	0	1	157											
		T5W	4659	3	0	1	137	4861	3	0	1	143	4861	3	0	1	143	4811	3	0	1	142	5064	3	0	1	149											
		T5WW	4405	3	0	1	130	4596	3	0	1	135	4596	3	0	1	135	4548	3	0	1	134	4788	3	0	1	141											
		FN	5133	3	0	1	151	5356	3	0	1	158	5356	3	0	1	158	5300	3	0	1	156	5579	3	0	1	164											
		FM	5094	3	0	1	150	5315	3	0	1	156	5315	3	0	1	156	5260	3	0	1	155	5537	3	0	1	163											
		FW	4752	2	0	1	140	4958	2	0	1	146	4958	2	0	1	146	4907	2	0	1	144	5165	2	0	1	152											
		16LD	1050 mA (52.4W)	T1	6812	3	0	3	130	7108	3	0	3	136	7108	3	0	3	136	7034	3	0	3	134	7404	3	0	3	141									
				T2	6568	2	0	2	125	6853	2	0	2	131	6853	2	0	2	131	6782	2	0	2	129	7139	2	0	2	136									
				T3R	6779	2	0	2	129	7074	2	0	2	135	7074	2	0	2	135	7000	2	0	2	134	7369	2	0	2	141									
T3	6689			1	0	1	128	6980	1	0	2	133	6980	1	0	2																						

		VSC-II LED SPECIFICATIONS / Forward Optics																												
Led Count	Current & Watts	Distribution Type	70CRI																											
			27K				30K				35K				40K				50K											
			Lumens	B	U	G	LPW	Lumens	B	U	G	LPW	Lumens	B	U	G	LPW	Lumens	B	U	G	LPW	Lumens	B	U	G	LPW			
32LD	350 mA (32.9W)	T1	4826	3	0	3	147	5035	3	0	3	153	5035	3	0	3	153	4983	3	0	3	152	5245	3	0	3	160			
		T2	4652	1	0	2	142	4855	1	0	2	148	4855	1	0	2	148	4804	1	0	2	146	5057	1	0	2	154			
		T3R	4802	1	0	2	146	5011	1	0	2	152	5011	1	0	2	152	4959	1	0	2	151	5220	1	0	2	159			
		T3	4739	1	0	1	144	4945	1	0	1	150	4945	1	0	1	150	4893	1	0	1	149	5151	1	0	1	157			
		T3W	4794	1	0	1	146	5002	1	0	1	152	5002	1	0	1	152	4950	1	0	1	151	5211	1	0	1	159			
		T3LG	4816	1	0	1	147	5025	1	0	1	153	5025	1	0	1	153	4973	1	0	1	151	5234	1	0	1	159			
		T4	4737	1	0	1	144	4943	1	0	1	150	4943	1	0	1	150	4892	1	0	1	149	5149	1	0	1	157			
		T4A	4993	1	0	1	152	5210	1	0	1	159	5210	1	0	1	159	5156	1	0	1	157	5427	1	0	1	165			
		T4LG	4803	1	0	1	146	5012	1	0	1	152	5012	1	0	1	152	4959	1	0	1	151	5220	1	0	1	159			
		T4FT	4877	1	0	2	148	4835	1	0	2	147	4835	1	0	2	147	5036	1	0	2	153	5301	1	0	2	161			
		T5	4799	2	0	1	146	5008	2	0	1	152	5008	2	0	1	152	4956	2	0	1	151	5217	2	0	1	159			
		T5LG	4849	2	0	1	148	5060	2	0	1	154	5060	2	0	1	154	5007	2	0	1	152	5270	2	0	1	160			
		T5W	4610	3	0	1	140	4810	3	0	1	146	4810	3	0	1	146	4760	3	0	1	145	5011	3	0	1	152			
		T5WW	4359	3	0	1	133	4548	3	0	1	138	4548	3	0	1	138	4501	3	0	1	137	4738	3	0	1	144			
		FN	5079	3	0	1	155	5300	3	0	1	161	5300	3	0	1	161	5245	3	0	1	160	5521	3	0	1	168			
		FM	5040	3	0	1	153	5260	3	0	1	160	5260	3	0	1	160	5205	3	0	1	158	5479	3	0	1	167			
		FW	4702	2	0	1	143	4906	2	0	1	149	4906	2	0	1	149	4855	2	0	1	148	5111	2	0	1	156			
		32LD	530 mA (50.7W)	T1	7312	3	0	3	144	7630	3	0	3	151	7630	3	0	3	151	7550	3	0	3	149	7948	3	0	3	157	
				T2	7050	2	0	2	139	7356	2	0	2	145	7356	2	0	2	145	7280	2	0	2	144	7663	2	0	2	151	
				T3R	7277	2	0	2	144	7593	2	0	2	150	7593	2	0	2	150	7514	2	0	2	148	7910	2	0	2	156	
T3	7180			1	0	2	142	7492	1	0	2	148	7492	1	0	2	148	7414	1	0	2	146	7805	1	0	2	154			
T3W	7264			1	0	2	143	7580	1	0	2	150	7580	1	0	2	150	7501	1	0	2	148	7896	1	0	2	156			
T3LG	7297			2	0	1	144	7614	2	0	1	150	7614	2	0	1	150	7535	2	0	1	149	7931	2	0	1	156			
T4	7178			2	0	2	142	7491	2	0	2	148	7491	2	0	2	148	7413	2	0	2	146	7803	2	0	2	154			
T4A	7566			2	0	1	149	7895	2	0	1	156	7895	2	0	1	156	7813	2	0	1	154	8224	2	0	1	162			
T4LG	7278			2	0	1	144	7594	2	0	1	150	7594	2	0	1	150	7515	2	0	1	148	7910	2	0	1	156			
T4FT	7390			1	0	2	146	7326	1	0	2	145	7326	1	0	2	145	7631	1	0	2	151	8033	1	0	2	158			
T5	7272			3	0	1	143	7588	3	0	1	150	7588	3	0	1	150	7509	3	0	1	148	7905	3	0	1	156			
T5LG	7347			3	0	1	145	7667	3	0	1	151	7667	3	0	1	151	7587	3	0	1	150	7986	3	0	1	158			
T5W	6985			3	0	1	138	7289	3	0	1	144	7289	3	0	1	144	7213	3	0	1	142	7593	3	0	1	150			
T5WW	6605			3	0	1	130	6892	3	0	1	136	6892	3	0	1	136	6820	3	0	1	135	7179	3	0	1	142			
FN	7696			4	0	1	152	8031	4	0	1	158	8031	4	0	1	158	7947	4	0	1	157	8366	4	0	1	165			
FM	7638			4	0	1	151	7970	4	0	1	157	7970	4	0	1	157	7887	4	0	1	156	8302	4	0	1	164			
FW	7125			3	0	1	141	7434	3	0	1	147	7434	3	0	1	147	7357	3	0	1	145	7744	3	0	1	153			
32LD	700 mA (67.9W)			T1	9663	3	0	3	142	10083	3	0	3	148	10083	3	0	3	148	9978	3	0	3	147	10503	3	0	3	155	
				T2	9316	2	0	3	137	9721	2	0	3	143	9721	2	0	3	143	9620	2	0	3	142	10126	2	0	3	149	
				T3R	9616	2	0	2	142	10034	2	0	2	148	10034	2	0	2	148	9930	2	0	2	146	10452	2	0	2	152	
		T3	9489	2	0	2	140	9901	2	0	2	146	9901	2	0	2	146	9798	2	0	2	144	10314	2	0	2	150			
		T3W	9599	2	0	2	141	10017	2	0	2	147	10017	2	0	2	147	9912	2	0	2	146	10434	2	0	2	154			
		T3LG	9643	2	0	2	142	10062	2	0	2	148	10062	2	0	2	148	9957	2	0	2	147	10481	2	0	2	154			
		T4	9486	2	0	2	140	9899	2	0	2	146	9899	2	0	2	146	9796	2	0	2	144	10311	2	0	2	152			
		T4A	9998	2	0	1	147	10433	2	0	1	154	10433	2	0	1	154	10324	2	0	1	152	10868	2	0	1	160			
		T4LG	9617	2	0	2	142	10035	2	0	2	148	10035	2	0	2	148	9931	2	0	2	146	10453	2	0	2	154			
		T4FT	9766	2	0	3	144	9681	2	0	3	142	9681	2	0	3	142	10085	2	0	3	148	10615	2	0	3	156			
		T5	9610	3	0	1	141	10028	3	0	1	148	10028	3	0	1	148	9924	3	0	1	146	10446	3	0	1	154			
		T5LG	9709	3	0	1	143	10131	3	0	1	149	10131	3	0	1	149	10026	3	0	1	148	10553	3	0	1	155			
		T5W	9231	3	0	2	136	9632	3	0	2	142	9632	3	0	2	142	9532	3	0	2	140	10034	3	0	2	148			
		T5WW	8728	3	0	2	128	9107	3	0	2	134	9107	3	0	2	134	9012	3	0	2	133	9487	3	0	2	140			
		FN	10171	4	0	1	150	10613	4	0	1	156	10613	4	0	1	156	10502	4	0	1	155	11055	4	0	1	163			
		FM	10093	4	0	1	149	10532	4	0	1	155	10532	4	0	1	155	10422	4	0	1	153	10971	4	0	1	161			
		FW	9415	3	0	1	139	9824	3	0	1	145	9824	3	0	1	145	9722	3	0	1	143	10234	3	0	1	151			
		32LD	1050 mA (104.8W)	T1	13497	4	0	4	129	14084	4	0	4	134	14084	4	0	4	134	13937	4	0	4	133	14671	4	0	4	140	
				T2	13013	3	0	3	124	13579	3	0	3	130	13579	3	0	3	130	13437	3	0	3	128	14145	3	0	3	135	
				T3R	13432	3	0	3	128	14016	3	0	3	134	14016	3	0	3	134	13870	3	0	3	132	14600	3	0	3	139	
T3	13254			2	0	2	126	13830	2	0	2	1																		

		VSC-II LED SPECIFICATIONS / Forward Optics																											
Led Count	Current & Watts	Distribution Type	70CRI																										
			27K				30K				35K				40K				50K										
			Lumens	B	U	G	LPW	Lumens	B	U	G	LPW	Lumens	B	U	G	LPW	Lumens	B	U	G	LPW							
48LD	350 mA (49.3W)	T1	6703	3	0	3	136	6994	3	0	3	142	6994	3	0	3	142	6923	3	0	3	140	7286	3	0	3	148		
		T2	6463	2	0	2	131	6744	2	0	2	137	6744	2	0	2	137	6673	2	0	2	135	7024	2	0	2	142		
		T3R	6671	2	0	2	135	6961	2	0	2	141	6961	2	0	2	141	6888	2	0	2	140	7251	2	0	2	147		
		T3	6582	1	0	1	134	6868	1	0	1	139	6868	1	0	1	139	6797	1	0	1	138	7155	1	0	1	145		
		T3W	6659	1	0	2	135	6948	1	0	2	141	6948	1	0	2	141	6876	1	0	2	139	7238	1	0	2	147		
		T3LG	6689	2	0	1	136	6980	2	0	1	142	6980	2	0	1	142	6907	2	0	1	140	7271	2	0	1	147		
		T4	6581	2	0	2	133	6867	2	0	2	139	6867	2	0	2	139	6795	2	0	2	138	7153	2	0	2	145		
		T4A	6936	1	0	1	141	7237	2	0	1	147	7237	2	0	1	147	7162	2	0	1	145	7539	2	0	1	153		
		T4LG	6671	1	0	1	135	6961	2	0	1	141	6961	2	0	1	141	6889	2	0	1	140	7252	2	0	1	147		
		T4FT	6775	1	0	2	137	6716	1	0	2	136	6716	1	0	2	136	6996	1	0	2	142	7364	1	0	2	149		
		T5	6667	3	0	1	135	6956	3	0	1	141	6956	3	0	1	141	6884	3	0	1	140	7246	3	0	1	147		
		T5LG	6735	3	0	1	137	7028	3	0	1	143	7028	3	0	1	143	6955	3	0	1	141	7321	3	0	1	149		
		T5W	6403	3	0	1	130	6682	3	0	1	136	6682	3	0	1	136	6612	3	0	1	134	6960	3	0	1	141		
		T5WW	6054	3	0	1	123	6318	3	0	1	128	6318	3	0	1	128	6252	3	0	1	127	6581	3	0	1	133		
		FN	7055	3	0	1	143	7362	4	0	1	149	7362	4	0	1	149	7285	4	0	1	148	7669	4	0	1	156		
		FM	7001	3	0	1	142	7306	3	0	1	148	7306	3	0	1	148	7230	3	0	1	147	7610	4	0	1	154		
		FW	6531	2	0	1	132	6815	2	0	1	138	6815	2	0	1	138	6744	2	0	1	137	7099	2	0	1	144		
		48LD	530 mA (76.0W)	T1	10157	3	0	3	134	10598	3	0	3	139	10598	3	0	3	139	10488	3	0	3	138	11040	4	0	4	145
				T2	9792	2	0	3	129	10218	2	0	3	134	10218	2	0	3	134	10112	2	0	3	133	10644	2	0	3	140
				T3R	10108	2	0	3	133	10547	2	0	3	139	10547	2	0	3	139	10437	2	0	3	137	10987	3	0	3	145
T3	9974			2	0	2	131	10407	2	0	2	137	10407	2	0	2	137	10299	2	0	2	135	10841	2	0	2	143		
T3W	10090			2	0	2	133	10529	2	0	2	138	10529	2	0	2	138	10419	2	0	2	137	10967	2	0	2	144		
T3LG	10136			2	0	2	133	10577	2	0	2	139	10577	2	0	2	139	10466	2	0	2	138	11017	2	0	2	145		
T4	9971			2	0	2	131	10405	2	0	2	137	10405	2	0	2	137	10296	2	0	2	135	10838	2	0	2	143		
T4A	10510			2	0	1	138	10967	2	0	1	144	10967	2	0	1	144	10852	2	0	1	143	11423	2	0	2	150		
T4LG	10109			2	0	2	133	10548	2	0	2	139	10548	2	0	2	139	10439	2	0	2	137	10988	2	0	2	145		
T4FT	10265			2	0	3	135	10176	2	0	3	134	10176	2	0	3	134	10600	2	0	3	139	11158	2	0	3	147		
T5	10102			3	0	2	133	10541	3	0	2	139	10541	3	0	2	139	10431	3	0	2	137	10980	3	0	2	144		
T5LG	10206			3	0	2	134	10649	3	0	2	140	10649	3	0	2	140	10538	3	0	2	139	11093	3	0	2	146		
T5W	9703			3	0	2	128	10125	3	0	2	133	10125	3	0	2	133	10019	3	0	2	132	10547	3	0	2	139		
T5WW	9174			3	0	2	121	9573	3	0	2	126	9573	3	0	2	126	9473	3	0	2	125	9972	4	0	2	131		
FN	10691			4	0	1	141	11155	4	0	1	147	11155	4	0	1	147	11039	4	0	1	145	11620	4	0	1	153		
FM	10609			4	0	1	140	11070	4	0	1	146	11070	4	0	1	146	10955	4	0	1	144	11532	4	0	1	152		
FW	9896			3	0	1	130	10327	3	0	1	136	10327	3	0	1	136	10219	3	0	1	134	10757	3	0	1	141		
48LD	700 mA (101.9W)			T1	13422	4	0	4	132	14006	4	0	4	137	14006	4	0	4	137	13860	4	0	4	136	14589	4	0	4	143
				T2	12941	3	0	3	127	13503	3	0	3	132	13503	3	0	3	132	13363	3	0	3	131	14066	3	0	3	138
				T3R	13357	3	0	3	131	13938	3	0	3	137	13938	3	0	3	137	13793	3	0	3	135	14519	3	0	3	142
		T3	13180	2	0	2	129	13753	2	0	2	135	13753	2	0	2	135	13610	2	0	2	134	14326	2	0	2	141		
		T3W	13334	2	0	3	131	13914	2	0	3	137	13914	2	0	3	137	13769	2	0	3	135	14493	2	0	3	142		
		T3LG	13394	3	0	2	131	13977	3	0	2	137	13977	3	0	2	137	13831	3	0	2	136	14559	3	0	2	143		
		T4	13177	3	0	3	129	13750	3	0	3	135	13750	3	0	3	135	13607	3	0	3	134	14323	3	0	3	141		
		T4A	13888	3	0	2	136	14492	3	0	2	142	14492	3	0	2	142	14341	3	0	2	141	15096	3	0	2	148		
		T4LG	13359	2	0	2	131	13940	2	0	2	137	13940	2	0	2	137	13794	2	0	2	135	14520	2	0	2	142		
		T4FT	13566	2	0	3	133	13448	2	0	3	132	13448	2	0	3	132	14008	2	0	3	137	14745	2	0	3	145		
		T5	13349	3	0	2	131	13929	3	0	2	137	13929	3	0	2	137	13784	3	0	2	135	14510	4	0	2	142		
		T5LG	13487	3	0	2	132	14073	3	0	2	138	14073	3	0	2	138	13926	3	0	2	137	14659	4	0	2	144		
		T5W	12822	4	0	2	126	13380	4	0	2	131	13380	4	0	2	131	13240	4	0	2	130	13937	4	0	2	137		
		T5WW	12123	4	0	2	119	12650	4	0	2	124	12650	4	0	2	124	12519	4	0	2	123	13178	4	0	2	129		
		FN	14128	4	0	1	139	14742	5	0	1	145	14742	5	0	1	145	14588	5	0	1	143	15356	5	0	1	151		
		FM	14020	4	0	1	138	14629	4	0	1	144	14629	4	0	1	144	14477	4	0	1	142	15239	5	0	1	150		
		FW	13078	3	0	1	128	13647	3	0	1	134	13647	3	0	1	134	13504	3	0	1	133	14215	3	0	1	139		
		48LD	1050 mA (157.2W)	T1	18748	4	0	4	119	19563	4	0	4	124	19563	4	0	4	124	19360	4	0	4	123	20379	4	0	4	130
				T2	18076	3	0	3	115	18862	3	0	3	120	18862	3	0	3	120	18665	3	0	3	119	19648	3	0	3	125
				T3R	18658	3	0	3	119	19469	3	0	3	124	19469	3	0	3	124	19266	3	0	3	123	20280	3	0	3	129