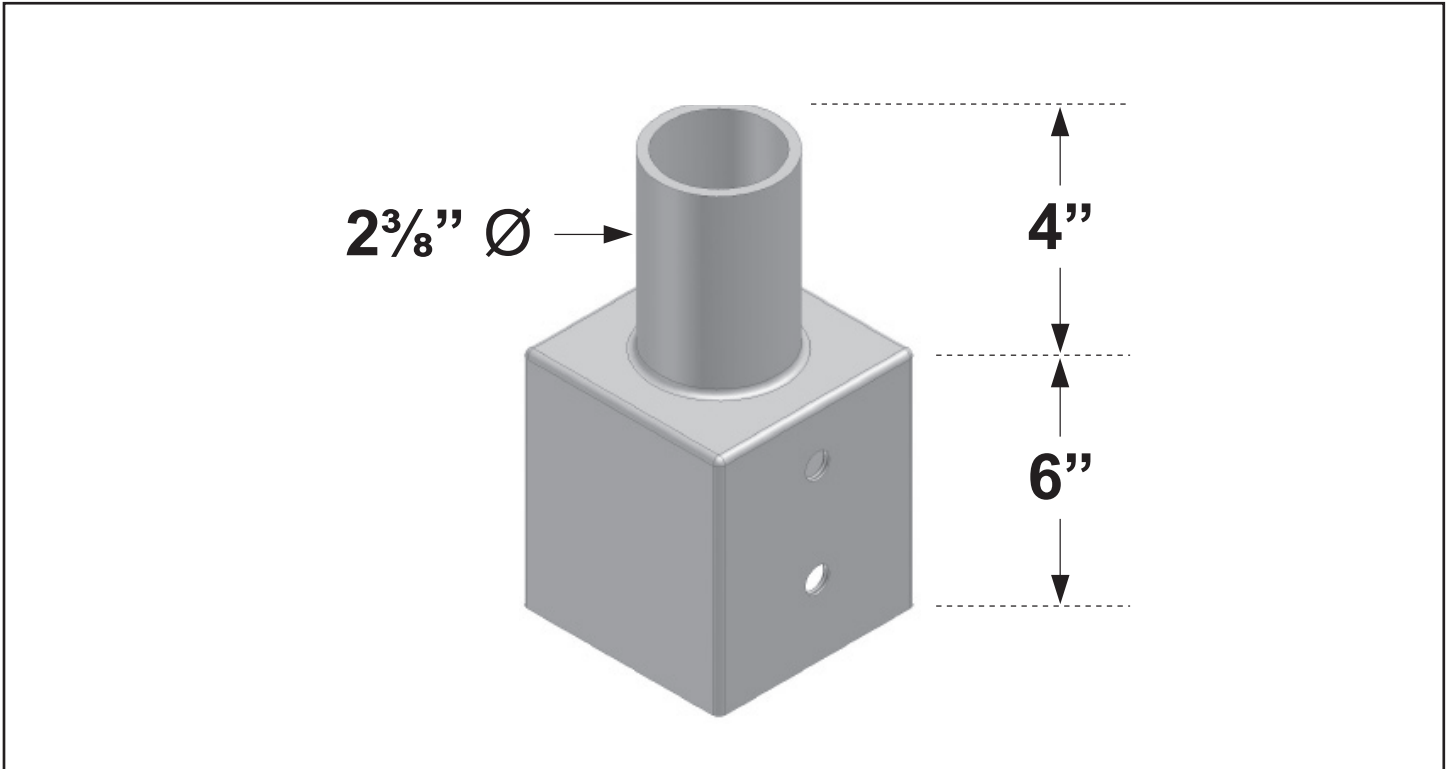


# SETA Specifications

Area - Site - Commercial - Outdoor



All steel tenon adapters are constructed of square or round steel tubing with 2 3/8" diameter tenons. Designed for the following applications: SETA - Square external tenon adapter to slip-fit over 3" to 5" square poles.

Project Name:

Catalog Number:

Type:

Date:

Location:

MODEL	TOP TENON SIZE	BOTTOM POLE SIZE	FINISH
<b>SETA</b>	<b>2 3/8</b> 2-3/8" Dia	<b>3</b> 3" Dia	<b>BZ</b> Bronze
	<b>3</b> 3" Dia	<b>3 1/2</b> 3-1/2" Dia	<b>BK</b> Black
	<b>3 1/2</b> 3-1/2" Dia	<b>4</b> 4" Dia	<b>GY</b> Grey
	<b>4</b> 4" Dia	<b>4 1/2</b> 4-1/2" Dia	<b>SBK</b> Smooth Black
	<b>4 1/2</b> 4-1/2" Dia	<b>5</b> 5" Dia	<b>WH</b> White
	<b>5</b> 5" Dia	*TOP TENON must be smaller than POLE SIZE	<b>SWH</b> Smooth White
			<b>GP</b> Graphite
			<b>GY</b> Grey
			<b>SL</b> Silver Metallic
			<b>ZRP</b> Zinc-Rich Primer Coat
			<b>CC</b> Custom Color