

A modern, white, cylindrical architectural LED light fixture with a large, circular, perforated top panel. The fixture is mounted on a white base and is illuminated from within, casting a soft glow. It is positioned in front of a modern building with a glass facade and a dark, vertical slat screen. The background is a dark, blue-tinted sky with some light rays.

Apex
Architectural LED

VISIONAIRE LIGHTING
Performance In A Whole New Light



Apex
Architectural LED



Apex - Architectural LED



The new APEX LED Luminaire from Visionaire combines unique contemporary design with the latest LED technology, and provides optimum lighting and energy savings that is unusual in an architectural lighting fixture. Designed as an architectural statement as well as a lighting fixture; the APEX LED series is available with a number of mounting arms that create beautiful architectural appeal to your overall project design.

The low profile cast aluminum top shade with its integral heat sink; provides maximum thermal management for the LEDs, and virtually eliminates maintenance for years to come, with life of well over 10 years or more!

Consider Visionaire's new Vision-Net dimming control system for affordable wireless control, and ever more energy savings.

Transition into the future with the beautiful APEX LED Series from Visionaire

Fixture Construction

- Features a low profile cast aluminum top shade that houses the LED light engines.
- The driver is enclosed in the separate cast aluminum post top compartment allowing for cooler operation and longer life.
- Aluminum post top support arms
- Slip-Fits 4" pole top or tenon.

LED Technology

- 64 or 128 LEDs available in 350 or 530 mA ratings.
- 4000 or 5500 Kelvin for natural or white light.
- Full cutoff optics available in five distribution patterns.
- 60,000 to 80,000 hours of life for the LEDs
- Add dimming controls for added cost savings and project flexibility

Applications

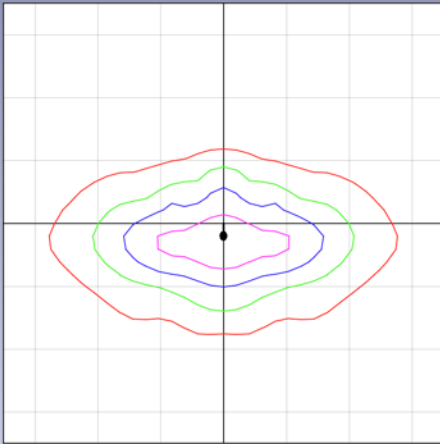
The Apex LED series is an exceptional choice for college campuses, public spaces, architectural buildings and many other projects that want to use sustainable architectural LED lighting.



PHOTOMETRIC PERFORMANCE & OPTICAL RECOMMENDATION

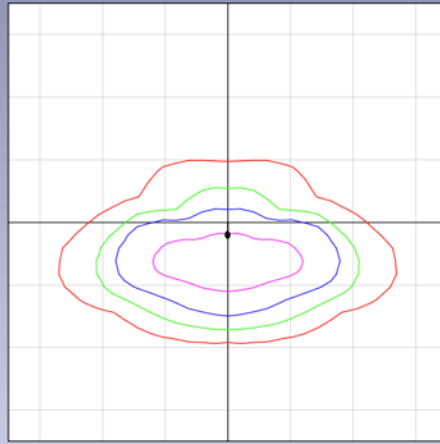
Optical configurations are tested to LM-79 standards through independent, NVLAP certified testing laboratories. All optical configurations are on the Design Lights Consortium (DLC) QPL, Qualified Products Listing.

Type I Optic



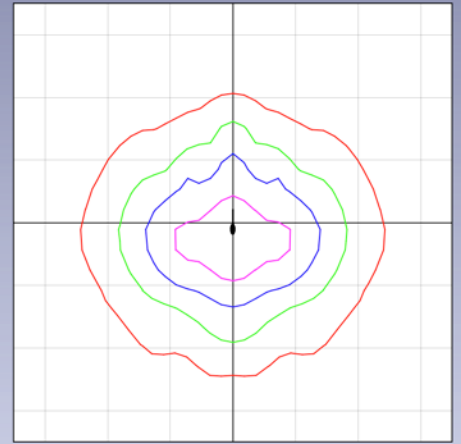
Type I distribution is ideal for lighting sidewalks and narrow walkways.

Type II Optic

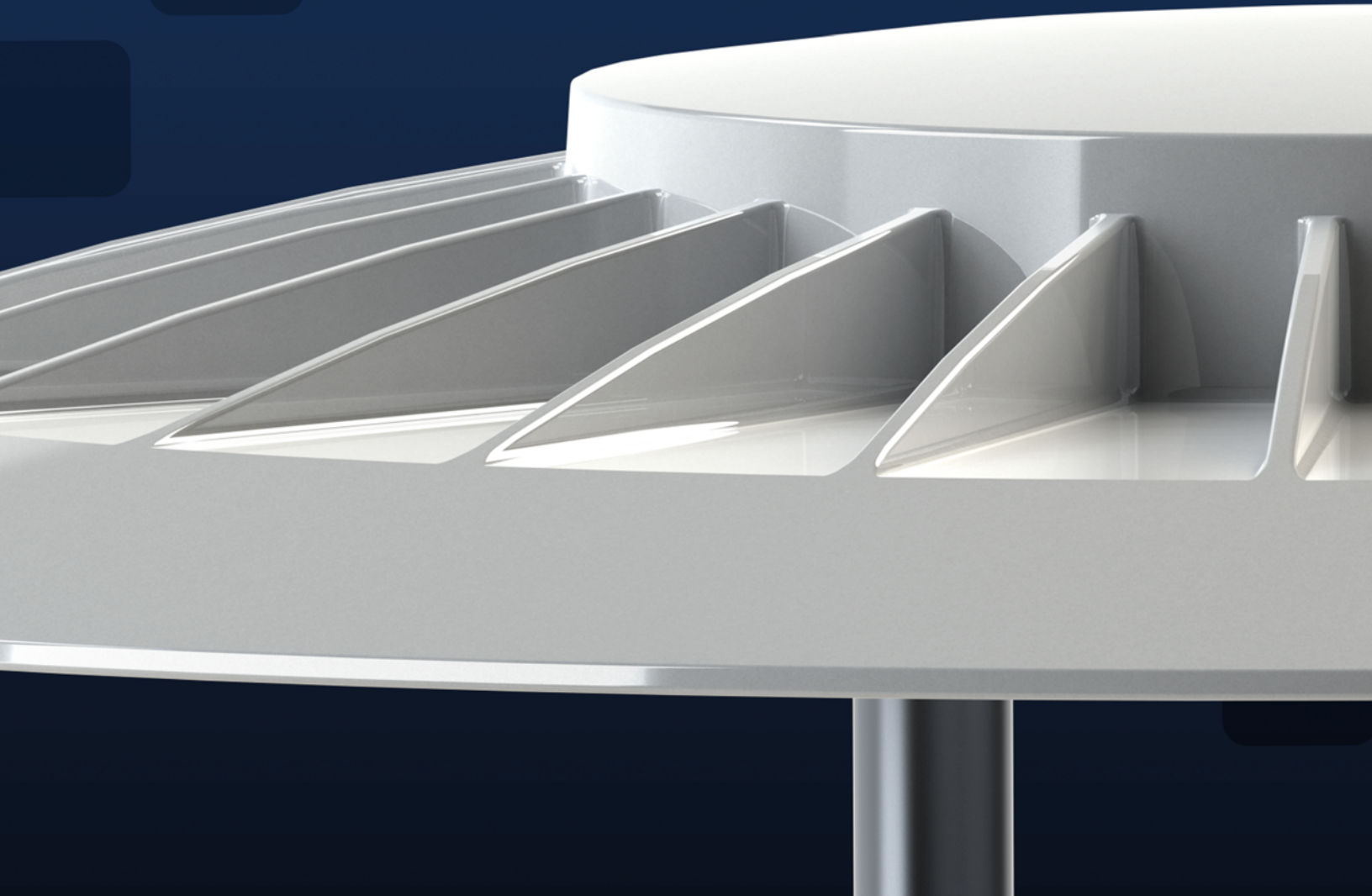


Type II has a distribution suited for wider paths (side streets and jogging paths).

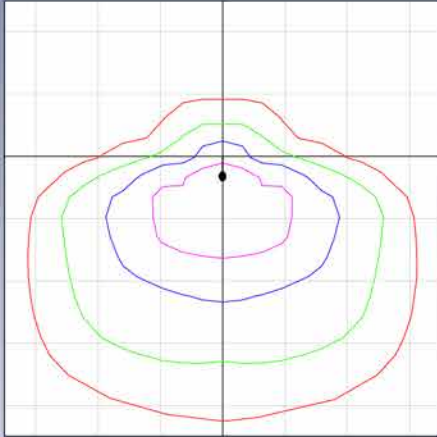
Type III Optic



Type III distribution is meant for general parking, lawns and other areas where large quantity of lighting is needed.

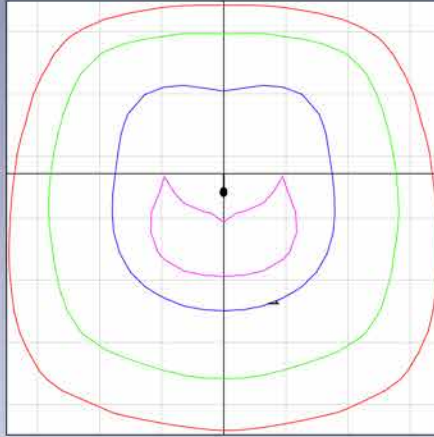


Type IV Optic



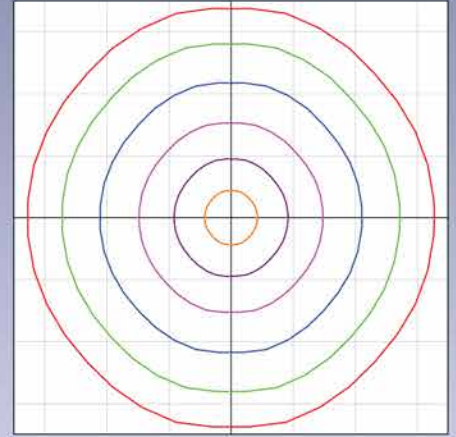
Type IV works well for lighting fixtures mounted on walls, best for illuminating the perimeter.

Type V Optic

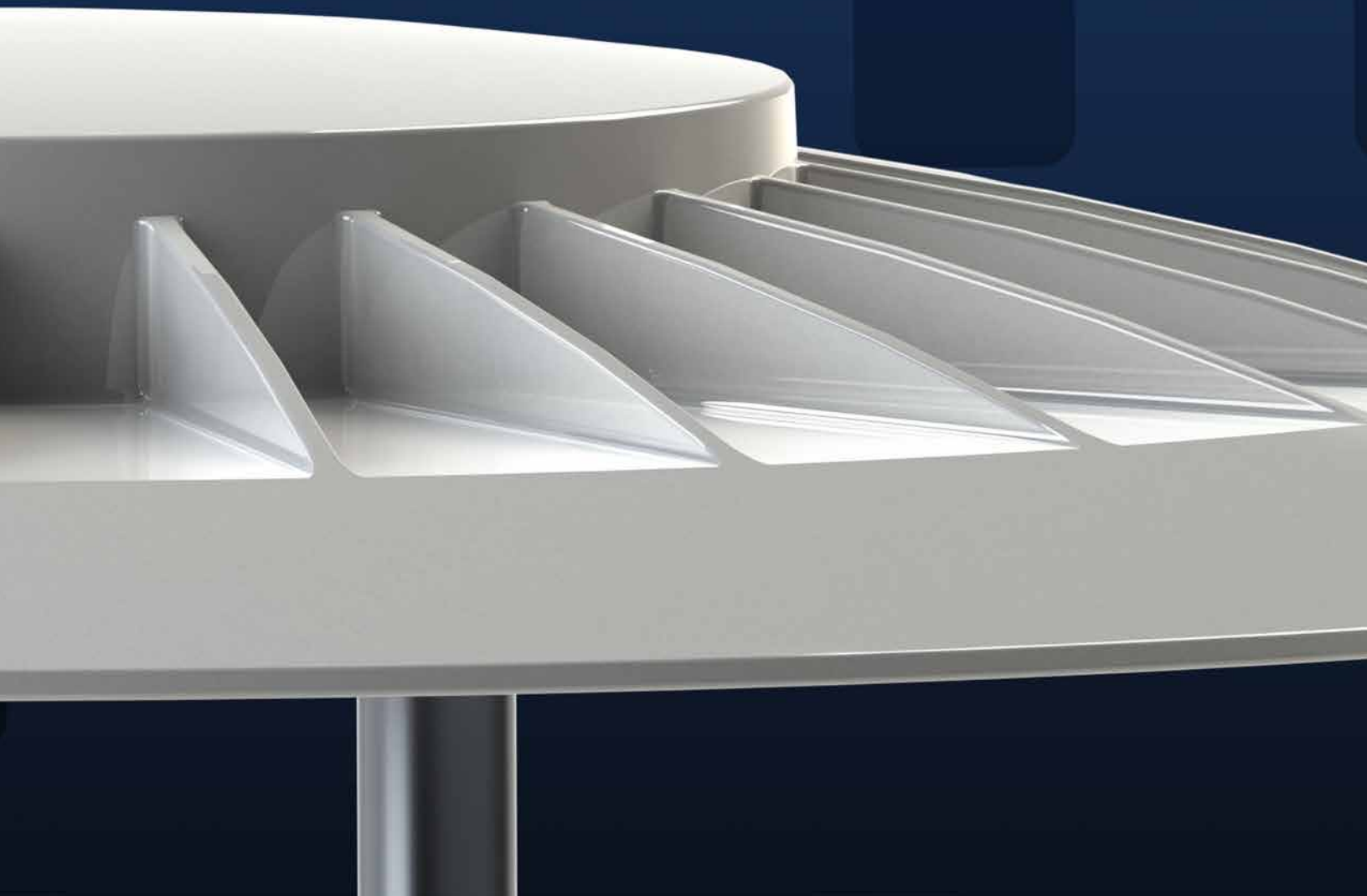


Type V is meant for large areas or any area where uniform light distributed is required.

Type V-W Optic



Type V-W is ideal for uniform light distribution with greater fixture spacing.

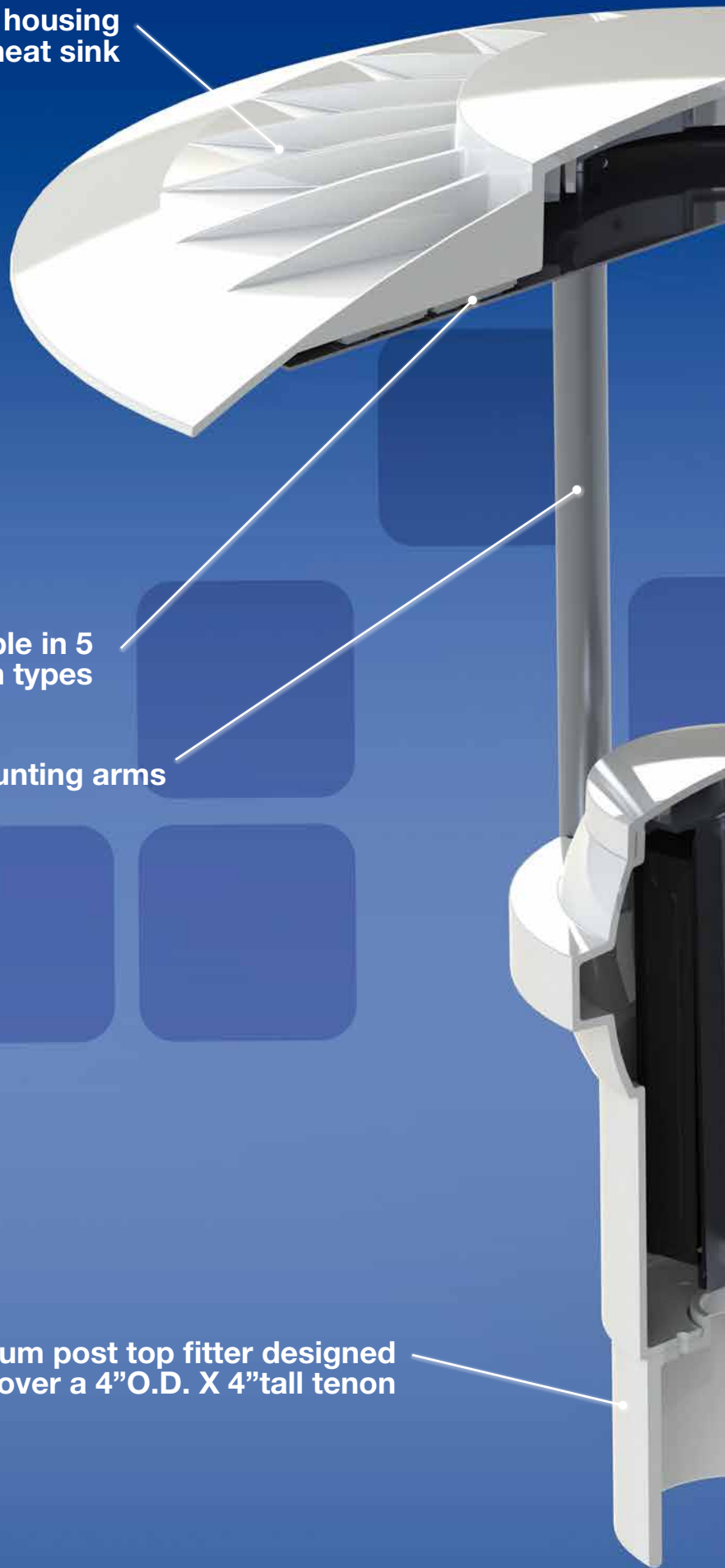


**Low Profile cast aluminum housing
with integral heat sink**

**Optics are available in 5
full-cutoff IES distribution types**

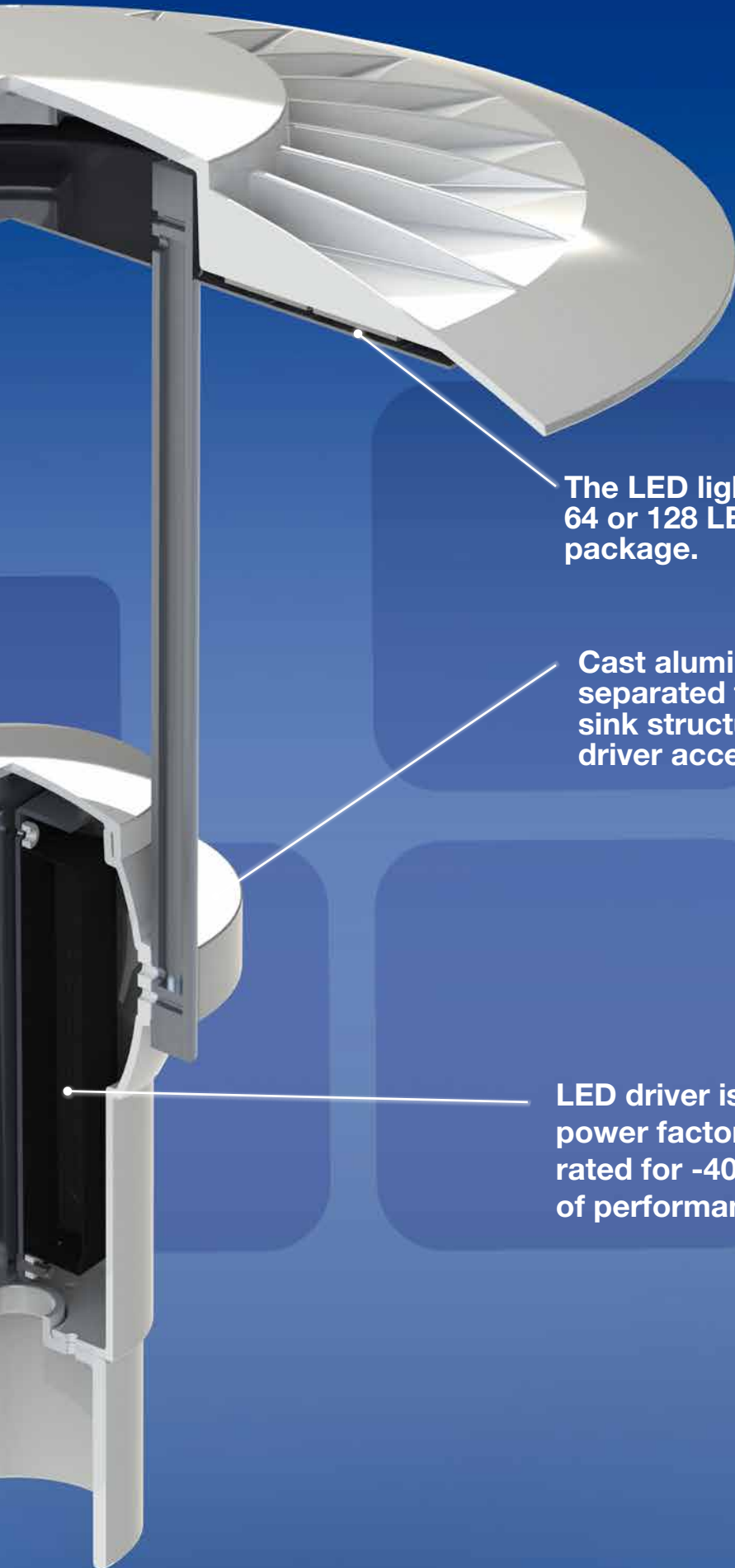
Aluminum post top mounting arms

**Cast aluminum post top fitter designed
to slip over a 4"O.D. X 4" tall tenon**





Apex
Architectural LED



The LED light assemblies come with 64 or 128 LEDs for the perfect lumen package.

Cast aluminum driver compartment separated from the LED array/heat sink structure: and provides tool-less driver access

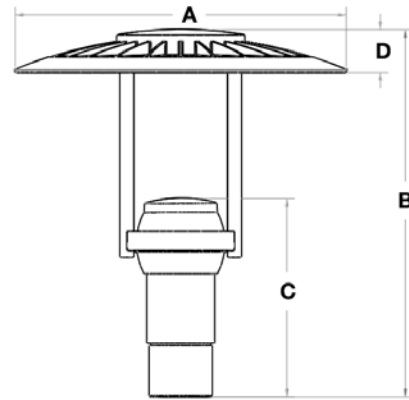
LED driver is high-performance with power factor greater than 90% and rated for -40°C operations of quality of performance and long life







Dimensional Drawings



Fixture	A	B	C	D	Max. Watts	Lbs
APX-1	26"	29"	4"	16"	216W	33

The new Apex LED Series offers clean, functional styling that blends with a broad range of architecture. The cast aluminum housing with integrated pole top fitter anchors aluminum mounting rods to support the cast aluminum shade that houses the LED light engine. The LED's performance and the driver's life are maximized by enclosing them in the two separate compartments.

It combines LED performance and advanced LED thermal management technology and provides outdoor area lighting that is both energy efficient and aesthetically pleasing.

The LED light assemblies come with 64 or 128 LED's. Five optical distribution patterns are available. Choose between 4000 or 5000 Kelvin temperature of the LED's.

A durable polyester powder coat finish is guaranteed for five years; and is available in standard or custom colors.

The Apex LED series is an exceptional choice for college campus's, architectural buildings, and many other architectural projects that want to use sustainable LED lighting.

Model	Optics	Source	Current	Kelvin	Voltage	Mounting	Finish	Options
APX-1	Type II (T2)	# of LEDs 64 (64LC)	mA 350 (3)	4000K *Neutral white (4K)	120-277 *Universal voltage (UNV)	Post Top Slips Over 4" O.D. x 4" Tall Tenon (Consult Factory For Other Sizes) (PT)	White (WH)	Button Type Photocell <small>*Specify voltage</small> (PC120) (PC208) (PC240) (PC277) 0-10v Dimming Driver <small>No Controls</small> (DIM) Dimming/Controls <small>Consult Factory</small> Motion Sensor/Control Watt Stopper FSP-211 <small>22' Distance @ 8' CLG HT Must specify Dimming Driver.</small> (WSC) Motion Sensor <small>20' Distance @ 8' CLG HT Must specify Dimming Driver. Can use with Wireless Control</small> (MS) Wireless Control <small>*Consult Factory *Wireless control 64LC only</small>
	Type III (T3)			5000K *Cool white (55K)	480 (5)		Arm Mount * Works only with arm mount VA130, VA131, VA132 (AM)	
	Type IV (T4)	128 (128LC)	530 (5)	347 (8)		Smooth Black (SBK)		
	Type V (T5)					Bronze (BZ)		
	Type V-W (T5W)					Forest Green (FG)		
						Silver Metallic (SL)		
						Graphite (GP)		
					Weathered Brown (WB)			
					Soft Gold (SG)			
					Custom Color (CC)			

For more detailed information on mounting, wiring or installation instructions, please consult factory. If poles are not ordered with fixtures, please specify mounting requirements. This document contains proprietary information of Visionaire Lighting, LLC. Any use of this information requires the written approval of Visionaire Lighting, LLC. In keeping with our TQM policy of continuous improvement, Visionaire reserves the right to change any specifications contained herein without prior notice.

Housing and Door Assembly

- Precision-formed, corrosion-resistant, die cast aluminum housing and two-piece door assembly with tool-less access.

Mounting Arm/Driver Compartment

- Durable two-piece die cast aluminum driver compartment opens for easy access to removable driver for ease of maintenance and allowing for cooler driver operation. Pre-assembled to fixture housing and sealed with one-piece silicone gasket.

Thermal Management

- The Apex series provides excellent thermal management by mounting the LED's to the substantial heat sink of the housing. This enables the Luminaire to withstand higher ambient temperatures and driver currents without degrading LED life.
- The L70 test determines the point in an LEDs life when it reaches 70 percent of its initial output. The Apex series LED's have been determined to last 80,000+ hours in 40° C environments when driven at 350 mA.

Optical System

- The highest lumen output, Evo/C LEDs are utilized in the Apex series. IES distribution Types II, III, IV, V and V-W are available. The optical system qualifies as IES full cutoff; to restrict light trespass, glare and light pollution.
- CRI values are 70 for 4000K and 75 for 5000K.

Quali-Guard® Finish

- The finish is a Quali-Guard® textured, chemically pretreated through a multiple-stage washer, electrostatically applied, thermoset polyester powder coat finish, with a minimum of 3-5 mil thickness. Finish is oven-baked at 400° F to promote maximum adherence and finish hardness. All finishes are available in standard and custom colors.
- Finish is guaranteed for five (5) years.

Electrical Assembly

- The Apex LED series is supplied with a choice of 350 or 530 mA high-performance LED drivers that accept 120v thru 480v, 50 Hz to 60 Hz, input. Power factor of 90%. Rated for -40° C operations.
- 10 kV surge protector supplied as standard.

Warranty

- Five (5) year Limited Warranty on entire system, including finish. For full warranty information, please visit VisionaireLighting.com.

Options

- Button type photocell
- 0-10v Dimming Driver
- Dimming Controls
- Motion Sensor/Control - Watt Stopper FSP-211
- Motion Sensor
- Wireless Control

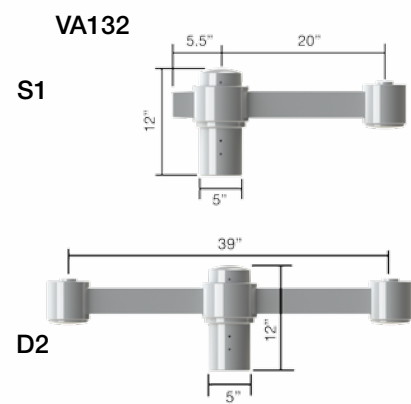
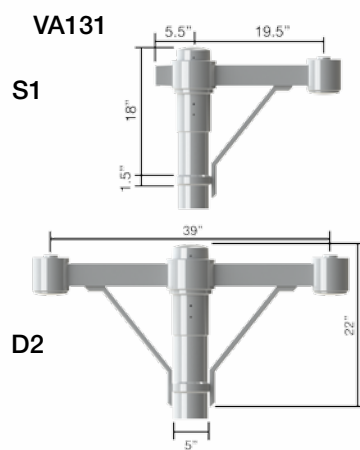
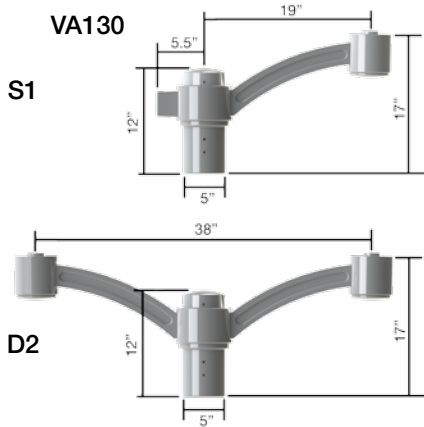
Listings

- The Apex is ETL listed, suitable for wet locations.
- Powder Coated Tough.
- LM79 and LM80.
- RoHS compliant.
- IP66 Rated
- DLC Listed



DesignLights Consortium (DLC) qualified Product. Some configurations of this product family may not DesignLights Consortium (DLC) listed, please refer to the DLC qualified products list to confirm listed configurations. <http://www.designlights.org/>

Mounting Arms



# OF LEDS	DRIVE CURRENT (mA)	TOTAL LUMENS (lm)					WATTAGE (W)
		TYPE 2 OPTICS	TYPE 3 OPTICS	TYPE 4 OPTICS	TYPE 5 OPTICS	TYPE 5W OPTICS	
64	350	7,297	6,604	7,387	8,119	8,162	79
	530	10,083	9,126	10,208	11,219	11,278	113
128	350	14,335	12,974	14,512	15,950	16,031	145
	530	20,102	18,193	20,351	22,367	22,484	216

Visit www.VisionaireLighting.com for up-to-the-minute chart information, including types not listed here.

* For 4000K multiply values by 0.90



19645 Rancho Way . Rancho Dominguez, CA 90220
310.512.6480
www.VisionaireLighting.com