

BLX-II Wildlife Certified LED Specifications

BLX-II-4 Post Top Mount Shown



Project Name:

Catalog Number:

Type:

The new **BOW LX-II LED** Series continues the unique contemporary design inspired by the sleek styling of the BOW family. Separating the extruded aluminum driver housing and the individual die-cast aluminum linear LED engines: optimize the life of the LEDs and the Driver(s); and maximizes the lumen output of the fixture. The adjustable knuckle allows for up to 90° degrees of vertical adjustment for putting the light exactly where you need it.

Each of the individual LED light engines come with 32 LEDs; for a max total of 256 LEDs. Ten optical distribution patterns are available.

A unique Type 4-A automotive distribution pattern is available for the front rows of Auto Dealerships. 590 nm diode supplied as standard.

A durable polyester powder coat finish is guaranteed for five years; and is available in standard or custom colors.

The **BOW LX-II LED** series is an exceptional choice for auto dealerships, shopping centers, commercial parking lots and general area lighting.

Ordering Information

MODEL	OPTICS	LEDS	CURRENT	KELVIN	VOLTAGE	MOUNTING	FINISH	OPTIONS	OPTIONS
BLX-II-3	FM Flood Medium	96LC	3 350mA	TS 590 nm	UNV 120-277V	MA Mast Arm Fitter	GY Grey	PCR-120 Photocell & Receptacle	RPP Round Pole Plate Adaptor For 3"Ø - 5"Ø Pole
BLX-II-4	FN Flood Narrow	128LC	5 530mA		8 347V	BOA Bolt-On Arm	SL Silver Metallic	PCR-208 Photocell & Receptacle	UPMA-S Universal Square Pole Mount Adaptor Not available with BLX-II-8
BLX-II-6	T1 Type 1	192LC			5 480V	AM Arm Mount Extended arm is needed for the BLX-6 & BLX-8 in D9, T9, T120 & QD configurations	BK Black	PCR-240 Photocell & Receptacle	UPMA-R Universal Round Pole Mount Adaptor Not available with BLX-II-8
BLX-II-8	T2 Type 2	256LC				WM Wall Mount BLX-II-3 & BLX-II-4 Only	SBK Smooth Black	PCR-277 Photocell & Receptacle	UPMA-R Universal Round Pole Mount Adaptor Not available with BLX-II-8
	T3 Type 3					BAWP Bolt-On Arm Wall Plate BLX-3 & BLX-4 only	WH White	PCR-480 Photocell & Receptacle	DS Decorative Shroud
	T4 Type 4					BAWP-XL Bolt-On Arm Wall Plate-XL BLX-6 & BLX-8 only	SWH Smooth White	PER 3 Pin Photo Receptacle w/shorting cap	ROT-R Rotated Optics Right Side
	T4A Type 4 Automotive						BZ Bronze	5PINPER 5 Pin Photo Receptacle w/shorting cap Requires Dimming Driver	ROT-L Rotated Optics Left Side
	T5 Type 5						GP Graphite	7PINPER 7 Pin Photo Receptacle w/shorting cap Requires Dimming Driver	LS Light Shield
	T5W Type 5 Wide							DIM 0-10v Dimming Driver No Controls	
	T5WR Type 5 Wide Round							WSC-8 Motion Sensor 8' Mounting Height	
								WSC-20 Motion Sensor 9-20' Mounting Height	
								WSC-40 Motion Sensor 21-40' Mounting Height	
								CC Custom Color	
								WVC Visionaire Wireless Controls Consult Factory	

The WSC option will require (1) FSIR 100 remote for programming

Housing

The LED light engines are constructed of heavy-duty, die-cast aluminum, with external heat radiating fins.

Driver Compartment

The separate driver housing is constructed of extruded aluminum, with vented cast aluminum end covers and stainless steel fasteners; for easy access to the LED driver(s); allowing for cooler operation and longer driver life. One-piece gasketing is utilized throughout the fixture for weather tight operation.

Thermal Management

- The BOW LX-II Series provides excellent overall thermal management by maximizing the fixture's heat sink capabilities. This enables the BOW LX-II Series to withstand higher ambient temperatures and drive currents without degrading LED life.
- The L70 test determines the point in an LEDs life when it reaches 70 percent of its initial output. The BOW LX-II Series LEDs have been determined to last a minimum of 100,000 hours in 25°C environments when driven at 350 mA.

Optical System

- The highest lumen output, LEDs are utilized in the BOW LX-II Series.
- IES distribution Types FM, FN, 1, 2, 3, 4, 4A, 5, 5W and 5WR are available.
- LED light engines come in multiples of 32 LEDs.
- 590 nm diode supplied as standard.

Quali-Guard® Finish

- The finish is a Quali-Guard® textured, chemically pretreated through a multiple-stage washer, electrostatically applied, thermoset polyester powder coat finish, with a minimum of 3-5 millimeter thickness. Finish is oven-baked at 400° F to promote maximum adherence and finish hardness.
- All finishes are available in standard and custom colors.
- Finish is guaranteed for five (5) years.

Mounting

- The Bolt-On Arm (BOA) utilizes a 2 piece cleat system for easy installation. A Round Pole Plate Adaptor (RPP) is required for mounting to round poles.
- Mast Arm Fitter fits over a 2 3/8" tenon.
- Bolt-On Arm Wall Plate
- Bolt-On Arm Wall Plate-XL

Electrical Assembly

- The BOW LX-II Series is supplied with a choice of 350 or 530 mA high-performance LED drivers, that accept 120v thru 480v, 50 Hz to 60 Hz, input.
- Power factor of 90%.
- Rated for -40 °C to +55 °C operations.
- THD less than or equal to 20%
- 20 kV surge protector supplied as standard.
- 0-10v Dimming Driver supplied as standard.

Warranty

• Five (5) year Limited Warranty on entire system, including finish. For full warranty information, please visit VisionaireLighting.com.

Options

- Button Type Photocell
- Photocell & Receptacle
- Photo Receptacle
- Round pole plate adaptor
- Motion Sensor
- Pole Mounted Motion Sensor
- Universal Pole Mount Adaptor (BLX-II-3, BLX-II-4 & BLX-II-6 Only)
- Decorative Shroud

Listings

- BOW LX-II Series is cUL listed, suitable for wet locations
- LM79 and LM80
- RoHS compliant
- Meets ANSI C136.31-2010 3G Vibration Standards for:
 - Mast Arm Mount
 - BOA
- Powder Coated Tough™
- IP65 Rated
- IDA Certification
- Turtle Safe
- Certified Wildlife Lighting



The Wildlife Lighting Program was developed by the Department of the Interior's U.S. Fish and Wildlife Service and the Florida Fish and Wildlife Conservation Commission to address light pollution issues in ecologically sensitive areas while ensuring human safety and security.

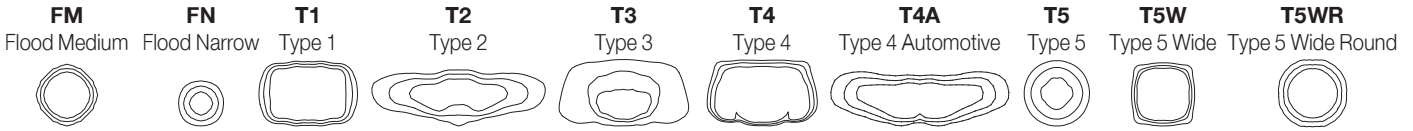


Motion Sensor Default Setting									
Type	High Mode	Low Mode	Time Delay	Cut off Delay	Sensitivity	Hold Off Setpoint	Photocell On/Off	Ramp Up Time	Fade Down Time
WSC - Default	10V	1V	5 Min	1 Hour	Max	Disabled	Disabled	Disabled	Disabled
WSC Range	0-10V	0-9.8V	5-30 Min	1-5 Hours	Low, Med, Max	1-250FC	1-250FC	1-60 Dec	1-60 Dec

BLX-II Wildlife Certified LED Specifications

Photometric Optical Summary

Not all optics are available on all fixtures. Check ordering chart for availability



Dimensions

Mast Arm

Width:	BLX-II-3	15"
	BLX-II-4	17"
	BLX-II-6	28"
	BLX-II-8	33"

Depth:	BLX-II-3	36"
	BLX-II-4	36"
	BLX-II-6	36"
	BLX-II-8	36"

Height:	BLX-II-3	5"
	BLX-II-4	5"
	BLX-II-6	5"
	BLX-II-8	5"

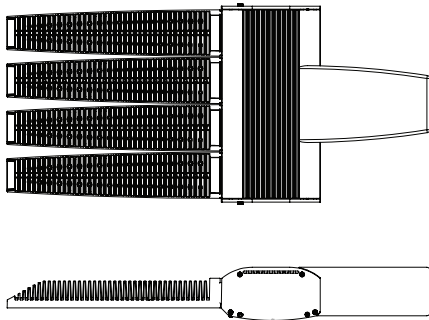
Bolt-On Arm

Width:	BLX-II-3	15"
	BLX-II-4	17"
	BLX-II-6	28"
	BLX-II-8	33"

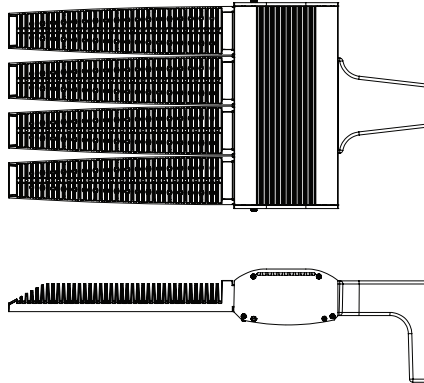
Depth:	BLX-II-3	34"
	BLX-II-4	34"
	BLX-II-6	34"
	BLX-II-8	34"

Height:	BLX-II-3	5"/9"
	BLX-II-4	5"/9"
	BLX-II-6	5"/9"
	BLX-II-8	5"/9"

Mast Arm



Bolt-On Arm

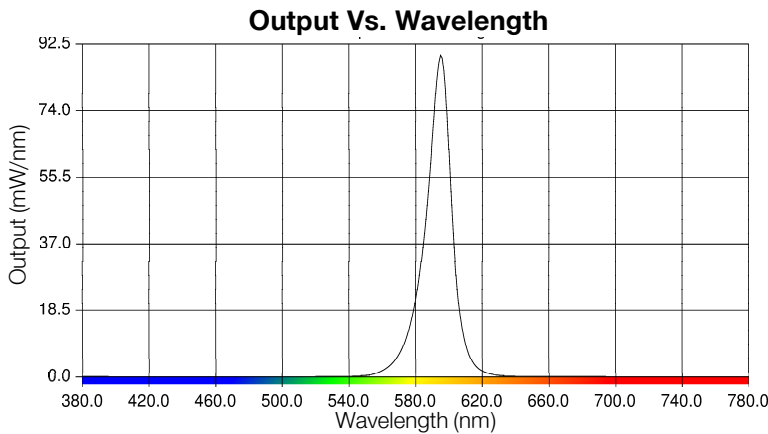


BLX-II EPA Data				
Tilt Deg.	BLX-II-3	BLX-II-4	BLX-II-6	BLX-II-8
0	0.7	0.7	0.8	1.1
10	0.71	0.9	1.2	1.6
20	1.02	1.3	1.8	2.0
30	1.32	1.7	2.4	3.1
40	1.62	2.1	3.0	3.9
50	1.86	2.4	3.4	4.5
60	2.07	2.6	3.8	5
70	2.21	2.8	4.1	5.4
80	2.29	2.9	4.3	5.7
90	2.30	3.0	4.5	6.1
Weight				
BLX-II	45 LBS	54 LBS	68 LBS	96 LBS

BLX-II Wildlife Certified TS (590 nm) LUMEN DATA												
# LEDs	Current (mA)	FM	FN	T1	T2	T3	T4	T4A	T5	T5W	T5WR	Watts
96	350	3576	3537	3476	3140	3231	3151	3569	3383	3248	3299	102
	530	5050	4995	4909	4434	4563	4450	5040	4778	4586	4659	157
128	350	4737	4685	4605	4159	4280	4174	4727	4482	4302	4370	143
	530	6793	6719	6604	5965	6138	5986	6779	6427	6170	6268	211
192	350	7330	7251	7126	6437	6623	6460	7316	6936	6658	6764	210
	530	10535	10421	10241	9251	9519	9283	10514	9968	9568	9721	321
256	350	9925	9817	9648	8715	8968	8746	9905	9390	9014	9158	278
	530	14277	14122	13879	12537	12900	12581	14248	13508	12967	13174	430

BLX-II Wildlife Certified TS (590 nm) LPW DATA												
# LEDs	Current (mA)	FM	FN	T1	T2	T3	T4	T4A	T5	T5W	T5WR	Watts
96	350	35	35	34	31	32	31	35	33	32	32	102
	530	32	32	31	28	29	28	32	30	29	30	157
128	350	33	33	32	29	30	29	33	31	30	31	143
	530	32	32	31	28	29	28	32	30	29	30	211
192	350	35	35	34	31	32	31	35	33	32	32	210
	530	33	32	32	29	30	29	33	31	30	30	321
256	350	36	35	35	31	32	31	36	34	32	33	278
	530	33	33	32	29	30	29	33	31	30	31	430

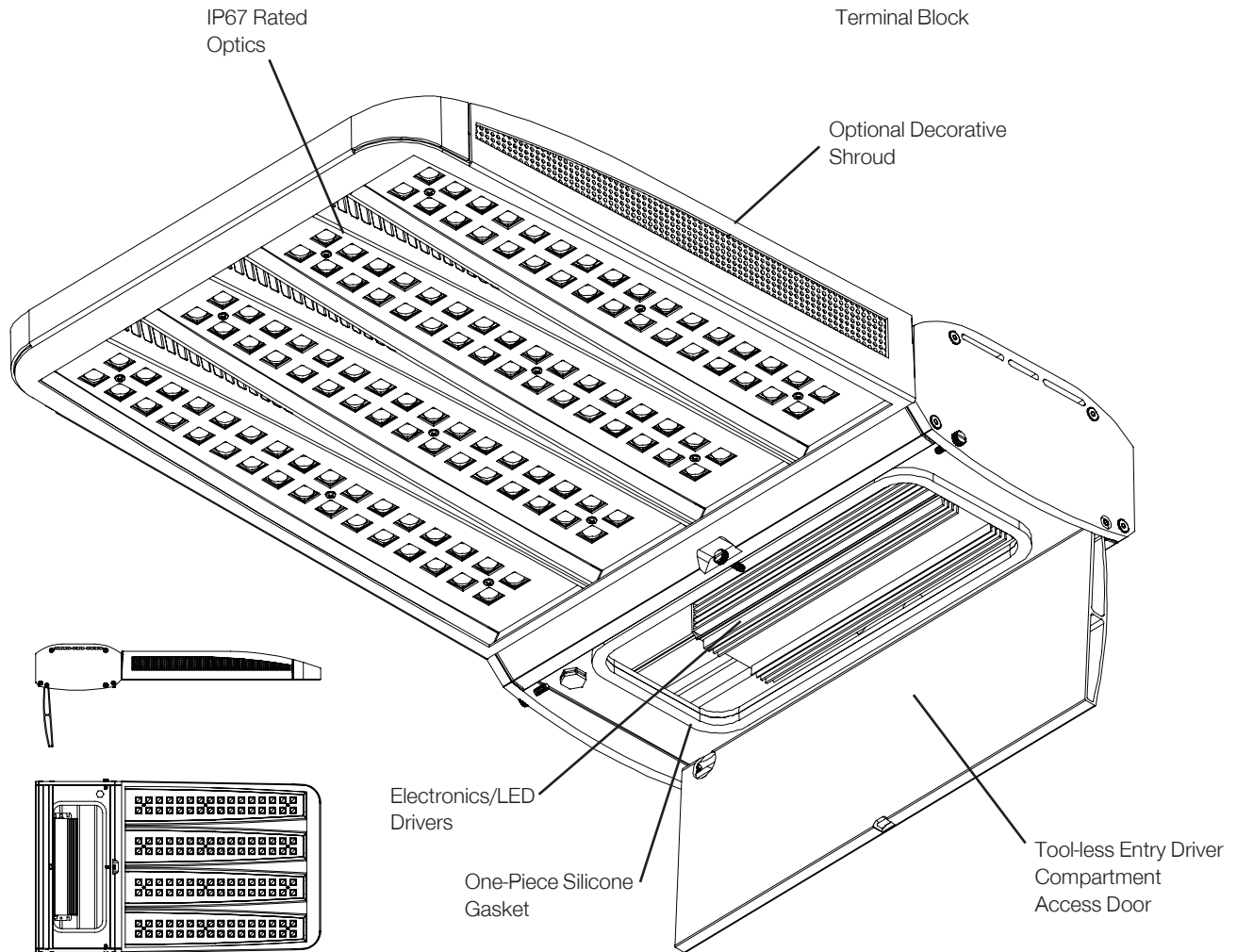
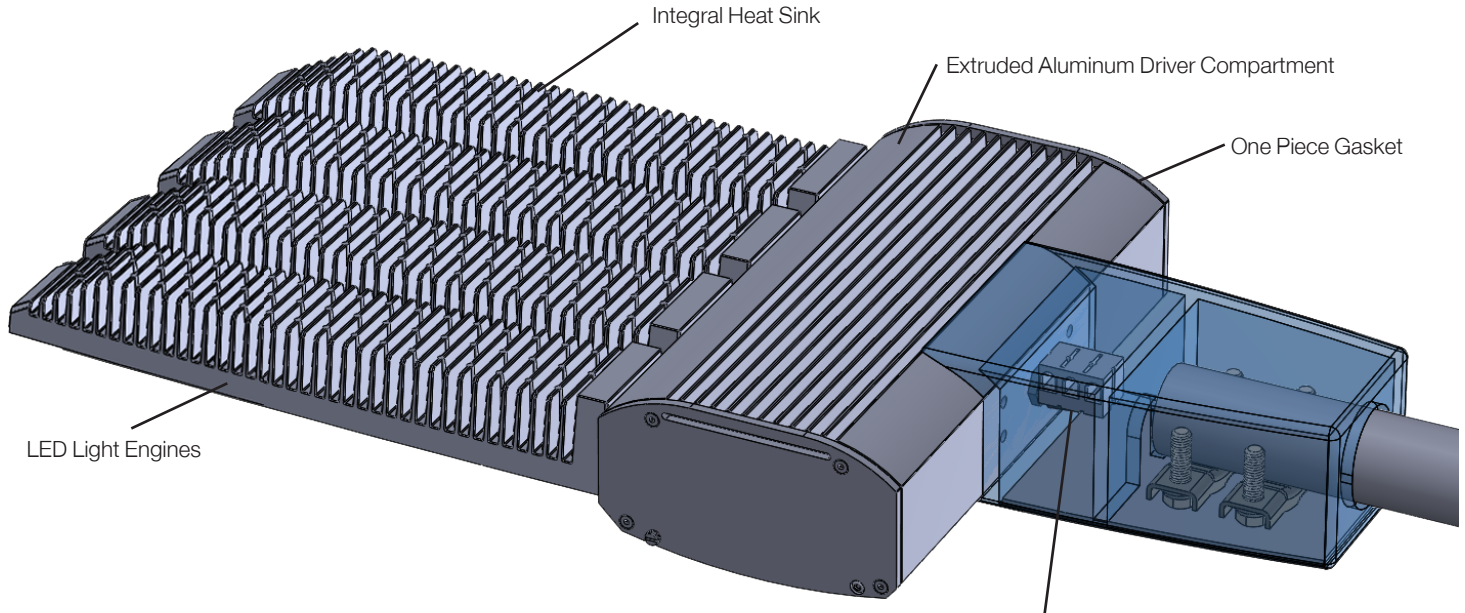
BLX-II Wildlife Certified TS (590 nm) BUG DATA																																			
# LEDs	Current (mA)	FM			FN			T1			T2			T3			T4			T4A			T5			T5W			T5WR			Watts			
		B	U	G	B	U	G	B	U	G	B	U	G	B	U	G	B	U	G	B	U	G	B	U	G	B	U	G	B	U	G				
96	350	3	0	0	3	0	0	2	0	1	1	0	1	1	0	1	1	0	1	1	0	1	1	0	1	2	0	1	2	0	1	2	0	1	102
	530	3	0	1	3	0	1	2	0	2	1	0	1	1	0	1	1	0	1	1	0	1	1	0	1	2	0	1	3	0	1	3	0	1	157
128	350	3	0	1	3	0	1	2	0	2	1	0	1	1	0	1	1	0	1	1	0	1	1	0	1	2	0	1	3	0	1	2	0	1	143
	530	3	0	1	4	0	1	2	0	2	1	0	1	2	0	2	1	0	1	1	0	1	1	0	1	2	0	1	3	0	1	3	0	1	211
192	350	4	0	1	4	0	1	2	0	2	2	0	2	2	0	2	2	0	2	2	0	2	2	0	2	2	0	1	3	0	1	3	0	1	210
	530	4	0	1	4	0	1	3	0	3	2	0	2	2	0	2	2	0	2	2	0	2	2	0	2	3	0	1	3	0	2	3	0	2	321
256	350	4	0	1	4	0	1	3	0	3	2	0	2	2	0	2	2	0	2	2	0	2	2	0	2	3	0	1	3	0	2	3	0	2	278
	530	5	0	1	5	0	1	3	0	3	3	0	3	3	0	3	3	0	3	2	0	2	3	0	2	4	0	2	4	0	2	4	0	2	430



BLX-II Wildlife Certified - ELECTRICAL LOAD (A)							
Ordering Nomenclature	System Watts	120	208	240	277	347	480
BLX-II-3-T5W-96LC-3	102	0.85	0.49	0.43	0.37	0.29	0.21
BLX-II-3-T5W-96LC-5	157	1.31	0.75	0.65	0.57	0.45	0.33
BLX-II-4-T5W-128LC-3	143	1.19	0.69	0.60	0.52	0.41	0.30
BLX-II-4-T5W-128LC-5	211	1.76	1.01	0.88	0.76	0.61	0.44
BLX-II-6-T5W-192LC-3	210	1.75	1.01	0.88	0.76	0.61	0.44
BLX-II-6-T5W-192LC-5	321	2.68	1.54	1.34	1.16	0.93	0.67
BLX-III-8-T5W-256LC-3	278	2.32	1.34	1.16	1.00	0.80	0.58
BLX-III-8-T5W-256LC-5	430	3.58	2.07	1.79	1.55	1.24	0.90

BLX-II Wildlife Certified LED Specifications

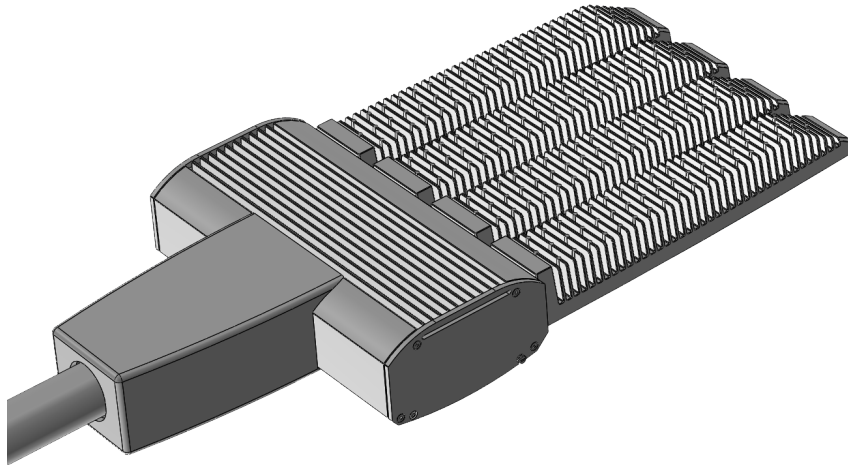
BLX-II Features



BLX-II Mounting Options

Mast Arm Mount

Mast Arm Fitter fits over a 2" - 2-3/8" tenon.



Arm Mount

The Bolt-On Arm (BOA) utilizes a 2 piece cleat system for easy installation. A Round Pole Plate Adaptor (RPP) is required for mounting to round poles.

