

VMF LED Specifications

Area - Site - Commercial - Outdoor - Floodlight



The new VMF LED Series offers clean, functional styling that is defined by its sleek low profile design and rugged construction. It combines LED performance and advanced LED thermal management technology and provides outdoor lighting that is both energy efficient and aesthetically pleasing.

The LED's performance and the driver's life are maximized by enclosing them in two separate cast aluminum housings. Sturdy Knuckle or Trunnion mount options.

The LED light assemblies come with 48 to 96 LED's. Multiple optical distribution patterns are available. Choose between 2700, 3000, 3500, 4000, or 5000 CCT and 70, 80 or 90 CRI.

A durable polyester powder coat finish is guaranteed for five years; and is available in standard or custom colors.

The VMF Series offers an impressive output of up to 50,000 lumens with a wattage package reaching up to 362 watts, delivering an average efficiency of 142 lumens per watt. With integrated controls, the VMF ensures optimal lighting coverage while minimizing energy consumption.

The VMF LED series is an exceptional choice for building lighting, sign lighting, and other flood lighting applications.

Project Name:

Catalog Number:

Type:

Date:

Location:

Visionaire Lighting products are engineered with field serviceability and environmental responsibility at the core, giving customers a smarter, longer-lasting lighting solution. Designed for efficient maintenance and simplified access to key components, our fixtures help reduce downtime, extend product life, and make in-field updates or repairs faster and more cost-effective.



MODEL	OPTICS	LEDs	CURRENT	CCT
VMF-1	7x5	48LD	3 350mA	27K7 27K8 27K9 2700K 70, 80, & 90 CRI
	7x7	64LD	5 530mA	30K7 30K8 30K9 3000K 70, 80, & 90 CRI
	T4FT Type 4 Forward Throw	80LD	7 700mA	35K7 35K8 35K9 3500K 70, 80, & 90 CRI
	FN Flood Narrow	96LD	10 1050mA	40K7 40K8 40K9 4000K 70, 80, & 90 CRI
	FM Flood Medium		12 1200mA	50K7 50K8 50K9 5000K 70, 80, & 90 CRI

VOLTAGE	MOUNTING	FINISH	CONTROL OPTIONS	SHIELD OPTIONS	OPTIONS
UNV 120-277V	KM Knuckle Mount *Slips over 2 3/8" Tenon with adjustable increments of 10°	BZ Bronze	PC-120 PC-208	ECLS Egg Crate Louver Shield	UMAP Universal Mast arm fitter
8 347V	TM Trunnion Mount *Adjustable up to 90° in 5° increments.	BK Black	PC-240 PC-277 Button Type Photocell	ADJLS Adjustable Louver Light Shield	ROT-R Rotated Optics Right Side
5 480V	NM Nipple Mount *Slip threads over a 3/4" NPT, allows for up to 90° of vertical adjustment in 10° increments from horizontal	GY Grey	DIM 0-10v Dimming Driver	BD Barn Door Shield	ROT-L Rotated Optics Left Side
*347V & 480V not available in 32LC 350mA	AWM Adjustable Wall Mount *Allows for up to 70° of vertical adjustment in 10° increments from horizontal	SBK Smooth Black	DTO Dim To Off Driver		BBG Bird Spikes
		WH White			BAA Buy America(n) Act Compliant
		SWH Smooth White			BABA Build America Buy American
		GP Graphite			
		GY Grey			
		SL Silver Metallic			
		ZFP Zinc-Free Primer Coat			
		CC Custom Color			

Housing

Die cast aluminum LED housing with integral cooling fins for thermal management.

Mounting Arm/Driver Compartment

Durable cast aluminum driver compartment opens for easy access to removable driver(s) for ease of maintenance, and cooler driver operation; and are sealed with one-piece silicone gaskets.

Thermal Management

- The VMF series provides excellent thermal management by mounting the LED's to the substantial heat sink of the housing. This enables the Luminaire to withstand higher ambient temperatures and driver currents without degrading LED life.
- The L70 test determines the point in an LEDs life when it reaches 70 percent of its initial output. The V-Flood series LED's have been determined to last 90,000+ hours in 25° C environments when driven at 700 mA.

Optical System

- The highest lumen output, LEDs are utilized in the VMF Series. Multiple flood optical patterns are available. LED light engines come in multiples of 16 LEDs.
- CRI values are 70, 80 or 90.
- CCT values are 2700K, 3000K, 3500K, 4000K, 5000K

Quali-Guard® Finish

- The finish is a Quali-Guard® textured, chemically pretreated through a multiple-stage washer, electrostatically applied, thermoset polyester powder coat finish, with a minimum of 3-5 mils thickness. Finish is oven-baked at 400° F to promote maximum adherence and finish hardness. All finishes are available in standard and custom colors.
- Finish is guaranteed for five (5) years.

Electrical Assembly

- The VMF series is supplied with a choice of 350, 530, 700, 1050, or 1200mA high-performance LED drivers that accept 120v thru 480v, 50 Hz to 60 Hz, input. Power factor of 90%. Rated for -40 oC operations.
- 10 kV surge protector supplied as standard.

Warranty

Five (5) year Limited Warranty on entire system, including finish. For full warranty information, please visit VisionaireLighting.com.

Options

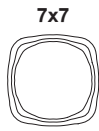
- Button Type Photocell
- 0-10v Dimming Driver
- Dim to Off Driver
- UMAP
- Egg Crate Light Shield
- Adjustable Louver Light Shield
- Barn Door Shield
- BAA / BABA

Listings

- The VMF Series is cUL Listed
- Powder Coated Tough
- IP66



Photometric Optical Summary



EPA Data


2.47

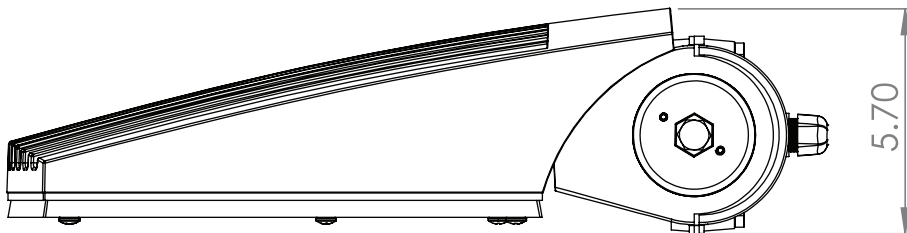
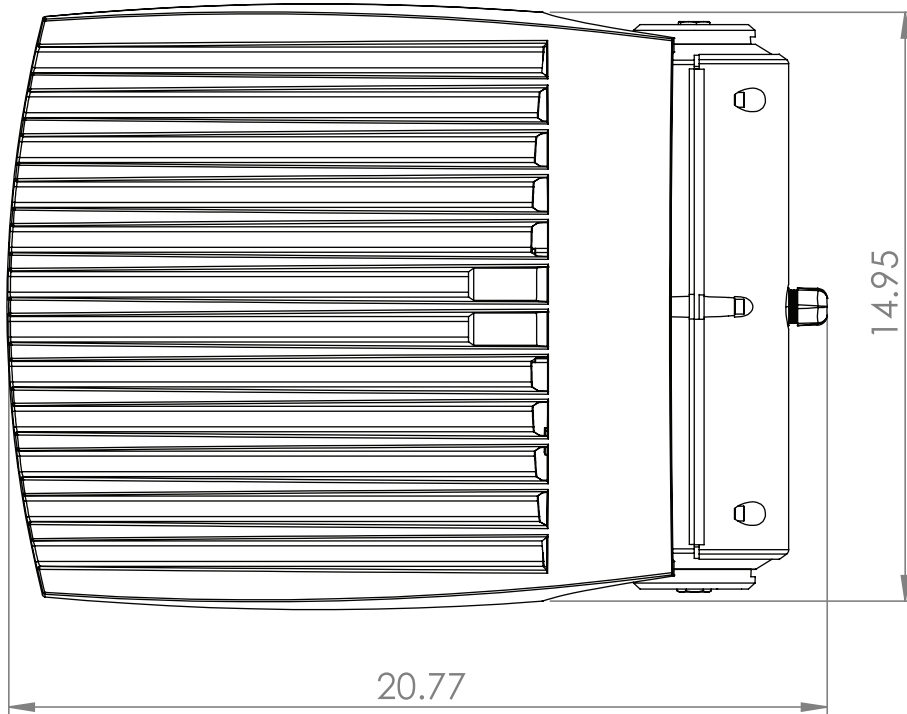
Dimensions

Width: VMF-1 15.5"

Depth: VMF-1 22"/30"

Height: VMF-1 5.5"

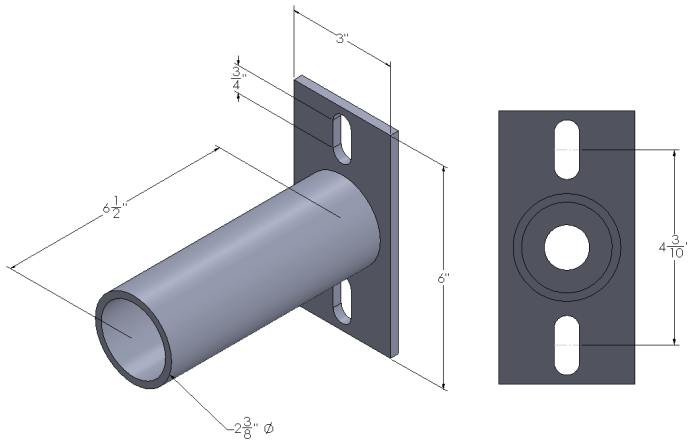
Weight: 45 LBS



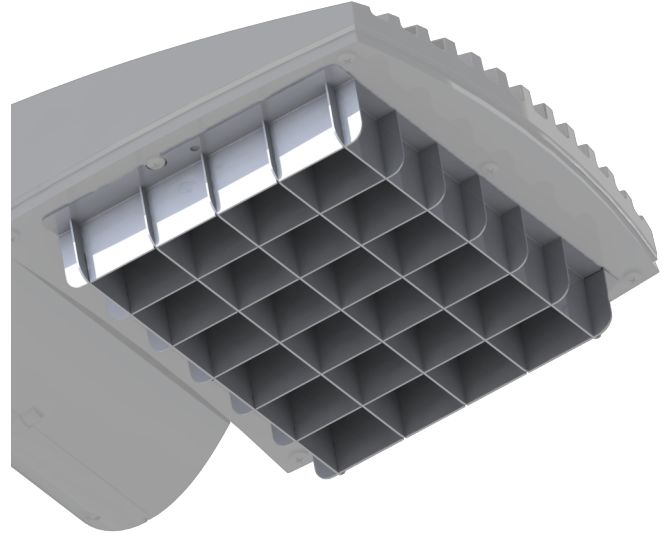
VMF Options

Universal Mast Arm Fitter

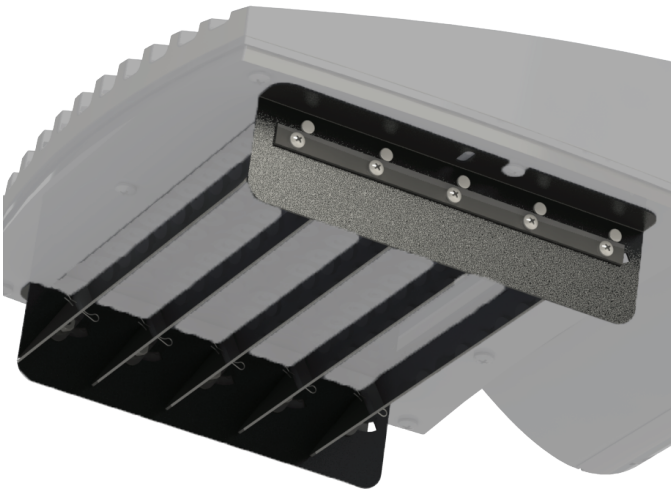
UMAP – The Universal Mast Arm Fitter is a simple solution for retrofit applications where a fixture needs to mount to an existing pole, the UMAP is meant to be use to with knuckle mounts and also Mast Arm Fitters. The UMAP has a bolt slot ranging from 7" all the way down to 3.5". The UMAP also has a Round Pole Plate Adaptor (RPP) for mounting to round poles.



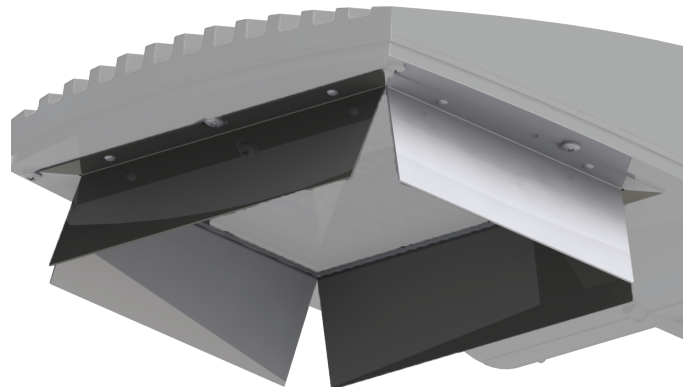
Egg Crate Light Shield



Adjustable Louver Light Shield

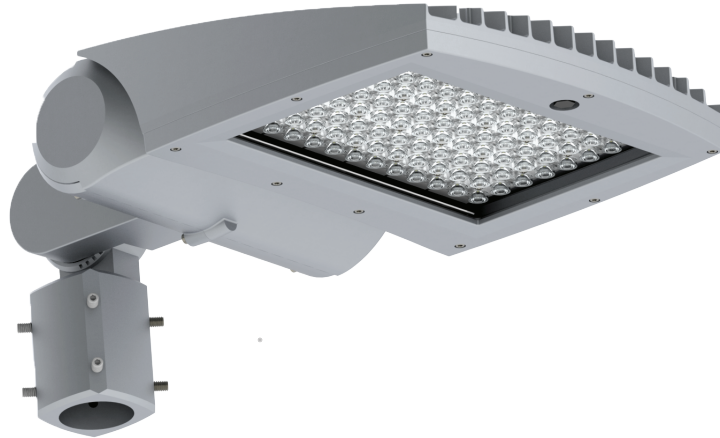


Barn Door Light Shield



VMF Mounting Options

Knuckle Mount



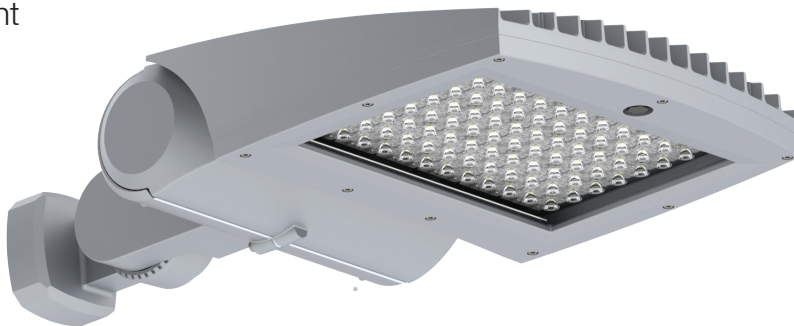
An adjustable knuckle slip fits over a 2-3/8" Tenon, and allows for up to 90 degrees of vertical adjustment in 10 degree increments from horizontal, as well as full side to side adjustment with the knuckle mount.

Trunnion Mount



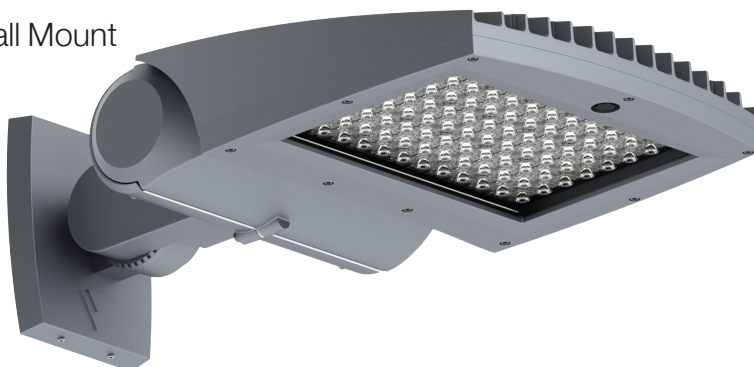
Trunnion Mount is adjustable up to 90 degrees in 5 degree increments.

Nipple Mount



An adjustable knuckle that threads onto a 3/4" NPT, and allows for up to 90 degrees of vertical adjustment in 10 degree increments from horizontal.

Adjustable Wall Mount



A Wall Mount that allows for up to 70 degrees of vertical adjustment in 10 degree increments from horizontal.

VMF-1 LED SPECIFICATIONS / Forward Optics																											
Led Count	Current & Watts	Distribution Type	70CRI																								
			27K					30K					35K					40K					50K				
			Lumens	B	U	G	LPW	Lumens	B	U	G	LPW	Lumens	B	U	G	LPW	Lumens	B	U	G	LPW	Lumens	B	U	G	LPW
48LD	350 mA (49.3W)	7X7	6126	3	0	1	124	6392	3	0	1	130	6392	3	0	1	130	6326	3	0	1	128	6659	3	0	1	135
		5X7	6766	1	0	1	137	7060	1	0	1	143	7060	1	0	1	143	6987	1	0	1	142	7354	1	0	1	149
		T4FT	6558	1	0	2	133	6844	1	0	2	139	6844	1	0	2	139	6772	1	0	2	137	7129	1	0	2	145
		FN	7035	3	0	1	143	7341	4	0	1	149	7341	4	0	1	149	7265	4	0	1	147	7647	4	0	1	155
		FM	7053	3	0	1	143	7360	3	0	1	149	7360	3	0	1	149	7283	3	0	1	148	7667	4	0	1	156
48LD	530 mA (76.0W)	7X7	9202	3	0	1	121	9602	3	0	1	126	9602	3	0	1	126	9502	3	0	1	125	10002	3	0	2	132
		5X7	10163	2	0	2	134	10605	2	0	2	139	10605	2	0	2	139	10494	2	0	2	138	11047	2	0	2	145
		T4FT	9851	2	0	3	130	10280	2	0	3	135	10280	2	0	3	135	10173	2	0	3	134	10708	2	0	3	141
		FN	10568	4	0	1	139	11027	4	0	1	145	11027	4	0	1	145	10912	4	0	1	144	11487	4	0	1	151
		FM	10595	4	0	1	139	11055	4	0	1	145	11055	4	0	1	145	10940	4	0	1	144	11516	4	0	1	151
48LD	700 mA (101.9W)	7X7	12234	3	0	2	120	12766	3	0	2	125	12766	3	0	2	125	12633	3	0	2	124	13298	3	0	2	130
		5X7	13512	2	0	2	133	14099	2	0	2	138	14099	2	0	2	138	13952	2	0	2	137	14687	2	0	2	144
		T4FT	13098	2	0	3	129	13667	2	0	3	134	13667	2	0	3	134	13525	2	0	3	133	14236	2	0	3	140
		FN	14050	4	0	1	138	14661	5	0	1	144	14661	5	0	1	144	14508	5	0	1	142	15272	5	0	1	150
		FM	14086	4	0	1	138	14698	4	0	1	144	14698	4	0	1	144	14545	4	0	1	143	15311	5	0	1	150
48LD	1050 mA (157.2W)	7X7	16985	4	0	2	108	17724	4	0	2	113	17724	4	0	2	113	17539	4	0	2	112	18462	4	0	2	117
		5X7	18760	3	0	3	119	19575	3	0	3	125	19575	3	0	3	125	19371	3	0	3	123	20391	3	0	3	130
		T4FT	18184	3	0	3	116	18975	3	0	3	121	18975	3	0	3	121	18777	3	0	3	119	19766	3	0	3	126
		FN	19507	5	0	1	124	20355	5	0	2	129	20355	5	0	2	129	20143	5	0	2	128	21203	5	0	2	135
		FM	19557	5	0	1	124	20407	5	0	1	130	20407	5	0	1	130	20195	5	0	1	128	21257	5	0	2	135
48LD	1200 mA (181.1W)	7X7	18755	4	0	2	104	19571	4	0	2	108	19571	4	0	2	108	19367	4	0	2	107	20386	4	0	2	113
		5X7	20715	3	0	3	114	21616	3	0	3	119	21616	3	0	3	119	21390	3	0	3	118	22516	3	0	3	124
		T4FT	20080	3	0	4	111	20953	3	0	4	116	20953	3	0	4	116	20734	3	0	4	114	21826	3	0	4	121
		FN	21540	5	0	2	119	22476	5	0	2	124	22476	5	0	2	124	22242	5	0	2	123	23413	5	0	2	129
		FM	21595	5	0	2	119	22534	5	0	2	124	22534	5	0	2	124	22299	5	0	2	123	23473	5	0	2	130

VMF-1 LED SPECIFICATIONS / Forward Optics																											
Led Count	Current & Watts	Distribution Type	70CRI																								
			27K					30K					35K					40K					50K				
			Lumens	B	U	G	LPW	Lumens	B	U	G	LPW	Lumens	B	U	G	LPW	Lumens	B	U	G	LPW	Lumens	B	U	G	LPW
64LD	350 mA (65.7W)	7X7	8088	3	0	1	123	8440	3	0	1	128	8440	3	0	1	128	8352	3	0	1	127	8791	3	0	1	134
		5X7	8933	2	0	2	136	9321	2	0	2	142	9321	2	0	2	142	9224	2	0	2	140	9710	2	0	2	148
		T4FT	8659	2	0	2	132	9036	2	0	3	137	9036	2	0	3	137	8941	2	0	3	136	9412	2	0	3	143
		FN	9289	4	0	1	141	9693	4	0	1	147	9693	4	0	1	147	9592	4	0	1	146	10096	4	0	1	154
		FM	9313	4	0	1	142	9717	4	0	1	148	9717	4	0	1	148	9616	4	0	1	146	10122	4	0	1	154
64LD	530 mA (101.4W)	7X7	12149	3	0	2	120	12677	3	0	2	125	12677	3	0	2	125	12545	3	0	2	124	13205	3	0	2	130
		5X7	13418	2	0	2	132	14002	2	0	2	138	14002	2	0	2	138	13856	2	0	2	137	14585	2	0	2	144
		T4FT	13007	2	0	3	128	13572	2	0	3	134	13572	2	0	3	134	13431	2	0	3	132	14138	2	0	3	139
		FN	13953	4	0	1	138	14559	5	0	1	144	14559	5	0	1	144	14407	5	0	1	142	15166	5	0	1	150
		FM	13988	4	0	1	138	14596	4	0	1	144	14596	4	0	1	144	14444	4	0	1	142	15205	5	0	1	150
64LD	700 mA (135.9W)	7X7	16152	4	0	2	119	16855	4	0	2	124	16855	4	0	2	124	16679	4	0	2	123	17557	4	0	2	129
		5X7	17840	3	0	3	131	18615	3	0	3	137	18615	3	0	3	137	18421	3	0	3	136	19391	3	0	3	143
		T4FT	17293	3	0	3	127	18045	3	0	3	133	18045	3	0	3	133	17857	3	0	3	131	18796	3	0	3	138
		FN	18550	5	0	1	137	19357	5	0	1	142	19357	5	0	1	142	19155	5	0	1	141	20163	5	0	2	148
		FM	18598	5	0	1	137	19406	5	0	1	143	19406	5	0	1	143	19204	5	0	1	141	20215	5	0	1	149
64LD	1050 mA (209.6W)	7X7	22426	4	0	2	107	23401	4	0	2	112	23401	4	0	2	112	23157	4	0	2	110	24376	4	0	2	116
		5X7	24768	3	0	3	118	25845	3	0	3	123	25845	3	0	3	123	25576	3	0	3	122	26922	3	0	3	128
		T4FT	24009	3	0	4	115	25053	3	0	4	120	25053	3	0	4	120	24792	3	0	4	118	26097	3	0	4	125
		FN	25755	5	0	2	123	26875	5	0	2	128	26875	5	0	2	128	26595	5	0	2	127	27994	5	0	2	134
		FM	25821	5	0	2	123	26943	5	0	2	129	26943	5	0	2	129	26663	5	0	2	127	28066	5	0	2	134
64LD	1200 mA (241.5W)	7X7	24763	4	0	2	103	25839	4	0	2	107	25839	4	0	2	107	25570	4	0	2	106	26916	4	0	2	111
		5X7	27350	3	0	3	113	28539	3	0	3	118	28539	3	0	3	118	28242	3	0	3	117	29728	3	0	3	123
		T4FT	26511	3	0	4	110	27664	3	0	4	115	27664	3	0	4	115	27376	3	0	4	113	28817	3	0	4	119
		FN	28439	5	0	2	118	29676	5	0	2	123	29676	5	0	2	123	29366	5	0	2	122	30912	5	0	2	128
		FM	28512	5	0	2	118	29752	5	0	2	123	29752	5	0	2	123	29442	5	0	2	122	30991	5	0	2	128

CRI Multiplier		
2700K, 3000K, 3500K, 4000K	5000K	
70 to 80 CRI	0.91	0.88
70 to 90 CRI	0.7	0.77

VMF-1 LED SPECIFICATIONS / Forward Optics																											
Led Count	Current & Watts	Distribution Type	70CRI																								
			27K					30K					35K					40K					50K				
			Lumens	B	U	G	LPW	Lumens	B	U	G	LPW	Lumens	B	U	G	LPW	Lumens	B	U	G	LPW	Lumens	B	U	G	LPW
80LD	350 mA (82.2W)	7X7	10088	3	0	2	123	10526	3	0	2	128	10526	3	0	2	128	10416	3	0	2	127	10965	3	0	2	133
		5X7	11141	2	0	2	136	11626	2	0	2	141	11626	2	0	2	141	11505	2	0	2	140	12110	2	0	2	147
		T4FT	10800	2	0	3	131	11269	2	0	3	137	11269	2	0	3	137	11152	2	0	3	136	11739	2	0	3	143
		FN	11585	4	0	1	141	12089	4	0	1	147	12089	4	0	1	147	11963	4	0	1	146	12593	4	0	1	153
		FM	11615	4	0	1	141	12120	4	0	1	148	12120	4	0	1	148	11994	4	0	1	146	12625	4	0	1	154
80LD	530 mA (126.7W)	7X7	15152	4	0	2	120	15811	4	0	2	125	15811	4	0	2	125	15646	4	0	2	123	16470	4	0	2	130
		5X7	16735	3	0	3	132	17463	3	0	3	138	17463	3	0	3	138	17281	3	0	3	136	18191	3	0	3	144
		T4FT	16222	3	0	3	128	16928	3	0	3	134	16928	3	0	3	134	16751	3	0	3	132	17633	3	0	3	139
		FN	17402	5	0	1	137	18158	5	0	1	143	18158	5	0	1	143	17969	5	0	1	142	18915	5	0	1	149
		FM	17446	5	0	1	138	18205	5	0	1	144	18205	5	0	1	144	18015	5	0	1	142	18964	5	0	1	150
80LD	700 mA (169.9W)	7X7	20145	4	0	2	119	21021	4	0	2	124	21021	4	0	2	124	20802	4	0	2	122	21897	4	0	2	129
		5X7	22250	3	0	3	131	23217	3	0	3	137	23217	3	0	3	137	22976	3	0	3	135	24185	3	0	3	142
		T4FT	21568	3	0	4	127	22505	3	0	4	132	22505	3	0	4	132	22271	3	0	4	131	23443	3	0	4	138
		FN	23136	5	0	2	136	24142	5	0	2	142	24142	5	0	2	142	23891	5	0	2	141	25148	5	0	2	148
		FM	23195	5	0	2	137	24204	5	0	2	142	24204	5	0	2	142	23952	5	0	2	141	25212	5	0	2	148
80LD	1050 mA (262.0W)	7X7	27970	5	0	3	107	29186	5	0	3	111	29186	5	0	3	111	28882	5	0	3	110	30402	5	0	3	116
		5X7	30892	3	0	3	118	32235	3	0	3	123	32235	3	0	3	123	31899	3	0	3	122	33578	3	0	3	128
		T4FT	29944	3	0	5	114	31246	3	0	5	119	31246	3	0	5	119	30921	3	0	5	118	32548	3	0	5	124
		FN	32122	5	0	2	123	33519	5	0	2	128	33519	5	0	2	128	33169	5	0	2	127	34915	5	0	2	133
		FM	32204	5	0	2	123	33604	5	0	2	128	33604	5	0	2	128	33254	5	0	2	127	35005	5	0	2	134
80LD	1200 mA (301.8W)	7X7	30885	5	0	3	102	32228	5	0	3	107	32228	5	0	3	107	31892	5	0	3	106	33570	5	0	3	111
		5X7	34111	3	0	3	113	35594	3	0	3	118	35594	3	0	3	118	35224	3	0	3	117	37078	4	0	4	123
		T4FT	33065	3	0	5	110	34503	3	0	5	114	34503	3	0	5	114	34144	3	0	5	113	35941	3	0	5	119
		FN	35470	5	0	2	118	37012	5	0	2	123	37012	5	0	2	123	36626	5	0	2	121	38554	5	0	2	128
		FM	35561	5	0	2	118	37107	5	0	2	123	37107	5	0	2	123	36720	5	0	2	122	38653	5	0	2	128

VMF-1 LED SPECIFICATIONS / Forward Optics																											
Led Count	Current & Watts	Distribution Type	70CRI																								
			27K					30K					35K					40K					50K				
			Lumens	B	U	G	LPW	Lumens	B	U	G	LPW	Lumens	B	U	G	LPW	Lumens	B	U	G	LPW	Lumens	B	U	G	LPW
96LD	350 mA (98.6W)	7X7	12071	3	0	2	122	12596	3	0	2	128	12596	3	0	2	128	12465	3	0	2	126	13121	3	0	2	133
		5X7	13332	2	0	2	135	13912	2	0	2	141	13912	2	0	2	141	13767	2	0	2	140	14492	2	0	2	147
		T4FT	12924	2	0	3	131	13485	2	0	3	137	13485	2	0	3	137	13345	2	0	3	135	14047	2	0	3	142
		FN	13863	4	0	1	141	14466	5	0	1	147	14466	5	0	1	147	14315	4	0	1	145	15069	5	0	1	153
		FM	13899	4	0	1	141	14503	4	0	1	147	14503	4	0	1	147	14352	4	0	1	146	15108	5	0	1	153
96LD	530 mA (152.1W)	7X7	18133	4	0	2	119	18921	4	0	2	124	18921	4	0	2	124	18724	4	0	2	123	19709	4	0	2	130
		5X7	20027	3	0	3	132	20898	3	0	3	137	20898	3	0	3	137	20680	3	0	3	136	21768	3	0	3	143
		T4FT	19413	3	0	3	128	20257	3	0	4	133	20257	3	0	4	133	20046	3	0	4	132	21101	3	0	4	139
		FN	20824	5	0	2	137	21730	5	0	2	143	21730	5	0	2	143	21503	5	0	2	141	22635	5	0	2	149
		FM	20878	5	0	1	137	21786	5	0	2	143	21786	5	0	2	143	21559	5	0	2	142	22693	5	0	2	149
96LD	700 mA (203.8 W)	7X7	24108	4	0	2	118	25157	4	0	2	123	25157	4	0	2	123	24895	4	0	2	122	26205	4	0	2	129
		5X7	26627	3	0	3	131	27785	3	0	3	136	27785	3	0	3	136	27495	3	0	3	135	28942	3	0	3	142
		T4FT	25811	3	0	4	127	26933	3	0	4	132	26933	3	0	4	132	26652	3	0	4	131	28055	3	0	4	138
		FN	27687	5	0	2	136	28891	5	0	2	142	28891	5	0	2	142	28590	5	0	2	140	30095	5	0	2	148
		FM	27758	5	0	2	136	28965	5	0	2	142	28965	5	0	2	142	28664	5	0	2	141	30172	5	0	2	148
96LD	1050 mA (314.4W)	7X7	33470	5	0	3	106	34925	5	0	3	111	34925	5	0	3	111	34561	5	0	3	110	36380	5	0	3	116
		5X7	36966	4	0	4	118	38574	4	0	4	123	38574	4	0	4	123	38172	4	0	4	121	40181	4	0	4	128
		T4FT	35833	3	0	5	114	37391	3	0	5	119	37391	3	0	5	119	37001	3	0	5	118	38949	3	0	5	124
		FN	38439	5	0	2	122	40110	5	0	2	128	40110	5	0	2	128	39692	5	0	2	126	41781	5	0	2	133
		FM	38537	5	0	2	123	40213	5	0	2	128	40213	5	0	2	128	39794	5	0	2	127	41888	5	0	2	133
96LD	1200 mA (362.2W)	7X7	36959	5	0	3	102	38566	5	0	3	106	38566	5	0	3	106	38164	5	0	3	105	40173	5	0	3	111
		5X7	40820	4	0	4	113	42595	4	0	4	118	42595	4	0	4	118	42152	4	0	4	116	44370	4	0	4	122
		T4FT	39569	4	0	5	109	41289	4	0	5	114	41289	4	0	5	114	40859	4	0	5	113	43009	4	0	5	119
		FN	42446	5	0	2	117	44292	5	0	3	122	44292	5	0	3	122	43830	5	0	2	121	46137	5	0	3	127
		FM	42555	5	0	2	117	44405	5	0	2	123	44405	5	0	2	123	43943	5	0	2	121	46255	5	0	2	128

CRI Multiplier		
70 to 80 CRI	2700K, 3000K, 3500K, 4000K	5000K
	0.91	0.88
70 to 90 CRI	0.7	0.77