

LSO-M-PT-TS LED Specifications

Wildlife Certified

Architectural - Site - Outdoor



The Lusso Medium Post Top Turtle Safe LED luminaire brings contemporary architectural design together with the latest in environmentally responsible lighting technology. Sleek, refined, and visually striking, Lusso is designed to elevate outdoor spaces while supporting sensitive coastal and wildlife environments.

Delivering more than 50% energy savings over traditional HID sources, the Lusso series combines efficiency with exceptional performance. It offers precise beam control and long-lasting LED life exceeding 100,000 hours on 350 milliamp systems, making it an ideal solution for projects that demand both beauty and reliability.

Its fully sealed cast aluminum housing is engineered for durability, while an advanced thermal management system provides superior heat dissipation to maximize performance and extend component life. The result is a luminaire built to withstand the elements while maintaining its clean, sophisticated appearance.

For environmentally sensitive applications, Lusso is available with Turtle Safe and Wildlife Certified LEDs operating at 590nm. Perfect for university campuses, business parks, walkways, and other pedestrian environments, the Lusso delivers a powerful combination of modern design, proven efficiency, and responsible illumination.

Project Name:	
Catalog Number:	
Type:	
Date:	Location:

The Wildlife Lighting Program was developed by the Department of the Interior's U.S. Fish and Wildlife Service and the Florida Fish and Wildlife Conservation Commission to address light pollution issues in ecologically sensitive areas while ensuring human safety and security.



MODEL	OPTICS		LEDs	CURRENT	WAVELENGTH
LSO-M	T1 Type 1	T5 Type 5	16LD	3 350mA	TS 590nm
	T2 Type 2	T5W Type 5 Wide	32LD	5 530mA	
	T3 Type 3	T5WW Type 5 Extra Wide	48LD		
	T3R Type 3 Round	T5LG Type 5 Low Glare			
	T3W Type 3 Wide	FN Flood Narrow			
	T3LG Type 3 Low Glare	FM Flood Medium			
	T4 Type 4	FW Flood Wide			
	T4A Type 4 Automotive				
	T4LG Type 4 Low Glare				

VOLTAGE	MOUNTING	FINISH	CONTROL OPTIONS	SHIELD OPTIONS	OPTIONS
UNV 120-277V	PTS Post Top Single Arm	BZ Bronze	PCR-120 - PCR-208 PCR-240 - PCR-277 PCR-347 - PCR-480 Photocell & Receptacle	CLS Cutoff Louver Shield	ROT-R Rotated Optics Right Side
8 347V	PTD Post Top Double Arm	BK Black	5PINPER 7PINPER 5 or 7 Pin Photo Receptacle w/shorting cap * Requires Dimming Driver		ROT-L Rotated Optics Left Side
5 480V	The Lusso Medium Post Top will slip over a 3" O.D. X 4" Tall tenon	GY Grey	DIM 0-10v Dimming Driver No Controls		BAA Buy America(n) Act Compliant
		SBK Smooth Black	DTO Dim to Off Driver		BABA Build America Buy American
		WH White	WSP6-L2 WSP6-L3 WSP6-L7 8' 9-20' 21-40' Mounting Mounting Mounting Height Height Height		
		SWH Smooth White	WSP6-L2 WSP6-L3 WSP6-L7 8' 9-20' 21-40' Mounting Mounting Mounting Height Height Height		
		GP Graphite	WSP6-L2 WSP6-L3 WSP6-L7 8' 9-20' 21-40' Mounting Mounting Mounting Height Height Height		
		GY Grey	*The WSC option will require (1) FSIR 100 remote for programming		
		SL Silver Metallic	Z10 or Z18 Zhaga 4 Pin Receptacle		
		FG Forest Green	VWC Visionaire Wireless Controls *Consult Factory		
		VD Verdigris Green			
		ZFP Zinc-Free Primer Coat			
		CC Custom Color			

Housing

The Lusso - M housing is constructed from durable, corrosion-resistant, cast aluminum. The Cast aluminum top cap is easily removable for service. Silicone gaskets are provided for complete weather and insect protection.

Thermal Management

The Lusso provides excellent overall thermal management by maximizing the efficiency of the heat sink in the fixture. This enables the Lusso to withstand higher ambient temperatures and higher drive currents without degrading LED life.

Optical System

The highest lumen output LEDs are utilized. Available with 16 IES distribution patterns. Acrylic optics are impact-resistant and rated to 94 percent translucence.

- L70 life of our LEDs is rated over 100,000 hours (for 530 mA).
- LED Wavelength 590nm.

Quali-Guard® Finish

Fixture components are chemically pretreated through a multiple-stage washer, and finished with an electrostatically-applied, thermoset polyester powder coat textured paint with a 3 to 5 mils thickness. Finish is oven-baked at 400 °F for maximum adherence and finish hardness.

- Available in standard and custom colors.
- Finish is guaranteed for five (5) years.

Post Top Mount

Lusso contractor-friendly mounting hardware slips over 3" O.D. x 4" tall tenon utilizing stainless steel hardware.

Round Internal Tenon Adapters (RITA) are recommended for a smooth-looking connection. Standard for 4" poles, custom size required for 3" or 5" poles.

Electrical Assembly

The Lusso is supplied with a high-performance driver available in 350 & 530 mA. The driver is integrally-located in the housing, and is operational from 120 V through 480 V, 50 Hz to 60 Hz input.

- Power factor is 90%.
- Rated for -40° to 50°C operation.
- 10 kV surge protector supplied as standard.

Warranty

- Five (5) year Limited Warranty on electrical components.
 - Five (5) year on finish.
- For full warranty information, please visit visionairelighting.com.

Options

- Wattstopper Plus
- Wattstopper FSP-211 Motion Sensor/Control
- Photocell & Receptacle
- Photocell Receptacle with shorting cap
- 0-10v Dimming Driver
- Dim To Off Driver
- Wireless Control
- Cutoff Louver Shield
- BAA / BABA

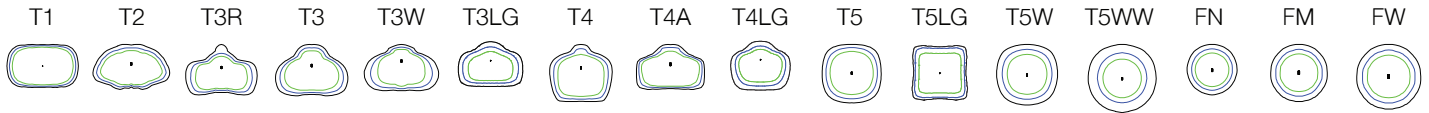
Listings

- The Lusso Medium Post Top is cUL Listed, suitable for wet locations.
- IP65 Rated
- Powder Coated Tough™
- IDA dark sky certification
- Certified Wildlife Lighting



3000K or lower must be selected for IDA certification.
Fixed Mount must be selected for IDA dark sky certification.

Photometric Optical Summary



EPA Data



Dimensions

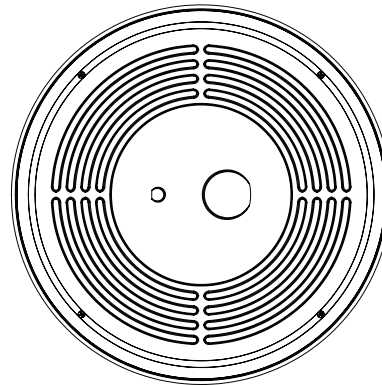
Width: LSO-M 21"

Depth: LSO-M 21"

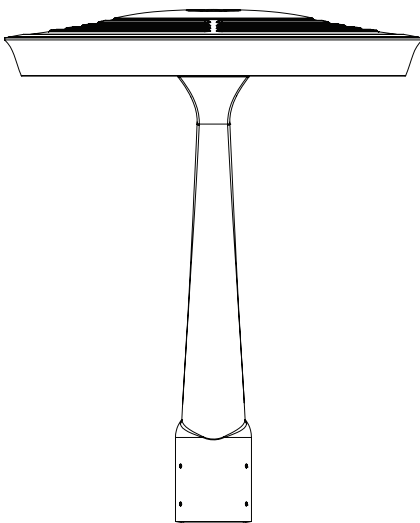
Height: LSO-M 25.5"

Weight (Single): LSO-M 30 lbs

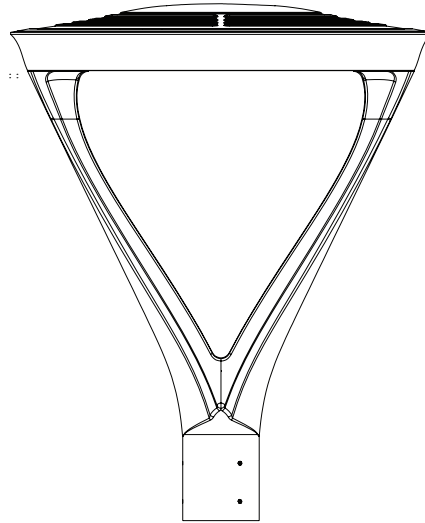
Weight (Double): LSO-M 32 lbs



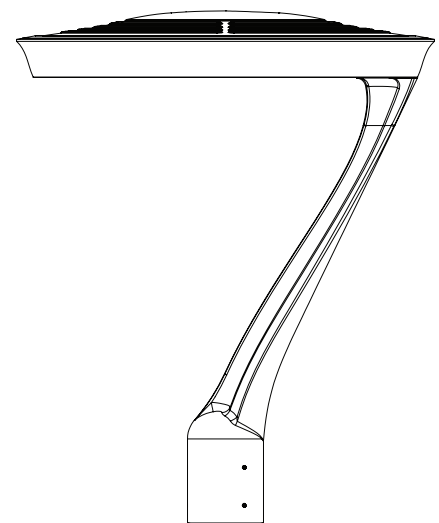
TOP VIEW



SIDE VIEW

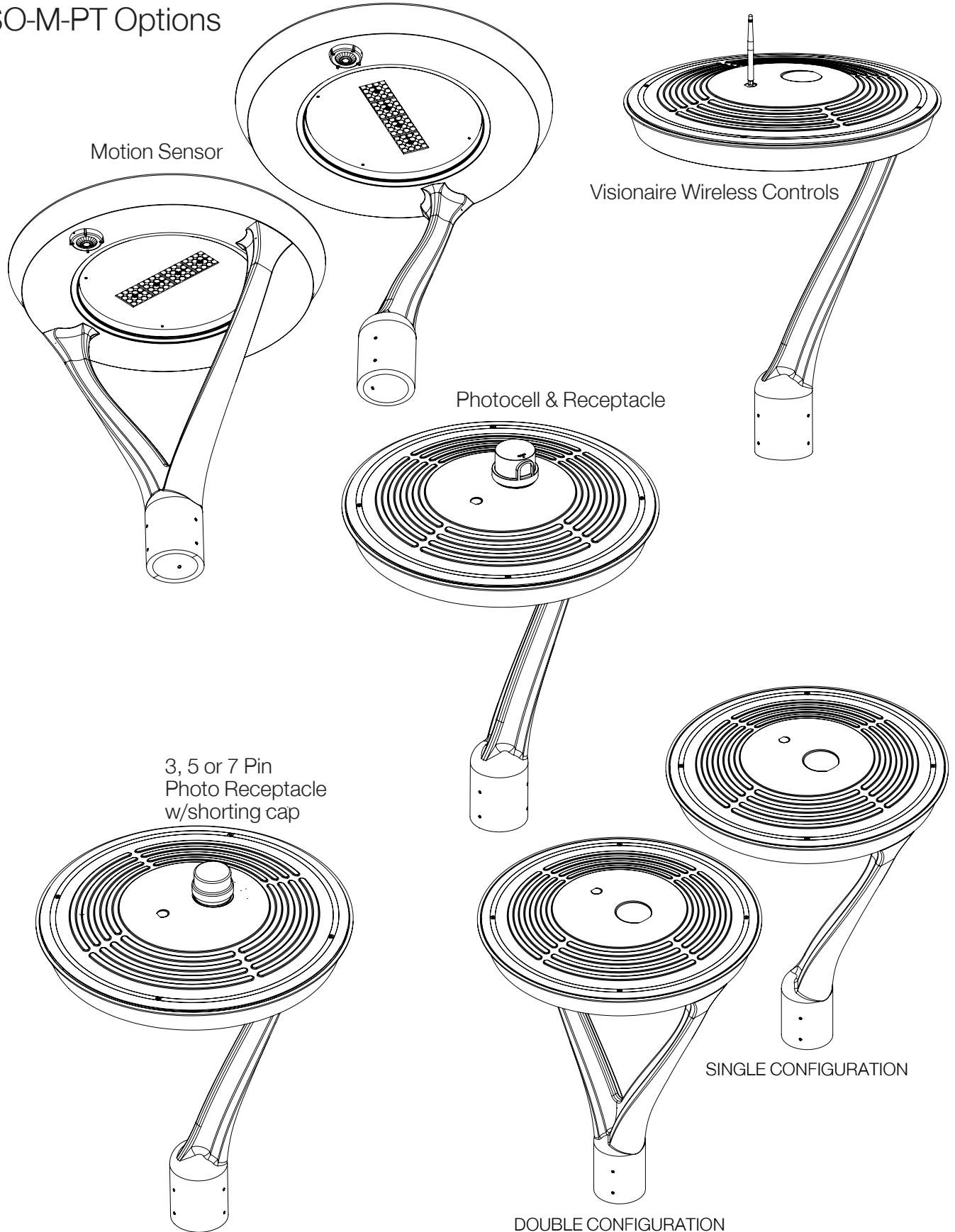


FRONT VIEW (DOUBLE)



FRONT VIEW (SINGLE)

LSO-M-PT Options



WATTSTOPPER PLUS**FSP-600 Series**

The FSP-600 series by Wattstopper PLUS is an integrated luminaire level lighting controller and sensor for indoor/outdoor lighting applications that require networked wireless control. The FSP-600 is designed to integrate directly into exterior, high bay, parking garage, and general site lighting solutions. It is a passive infrared (PIR) sensor and closed loop photosensor.

The FSP-600 series design intends to reduce installer labor time and make on-site start up easy for technicians.

Once commissioned and paired to a Wattstopper PLUS network, the devices can measure both motion and daylight contribution in order to automatically switch or dim lighting. It also provides the ability to communicate to other fixtures in the space without any front-end devices.

The Wattstopper PLUS FSP-600 series is available in a few different options including: internal, external straight nipple, and external drop nipple. Sensor lens options sold separately and should be ordered based on designed mounting height and desired finish.

FSP-621**FSP-200 Series**

The FSP-200 series sensors provide multi-level control based on motion and/or daylight contribution. They control 0-10 VDC LED drivers or dimming ballasts, as well as non-dimming ballasts and, with an FSP-Lx Lens, are rated for wet and cold locations. All control parameters are adjustable via a wireless configuration tool capable of storing and transmitting sensor profiles. The FSP-200 series is available in two different voltage configurations adding flexibility to your fixture design or project.

Typically, the sensor ramps lighting On to the selected High mode level when motion is detected and the ambient light level is below the hold off setpoint. After the sensor stops detecting movement and the time delay elapses, lights fade to the Low mode level. If there is no motion during the subsequent cut off time delay, the lights will turn Off. For dusk to dawn control, the integral photocell can switch the lights On and Off based on the ambient light level so that lighting remains on overnight even without motion detection.

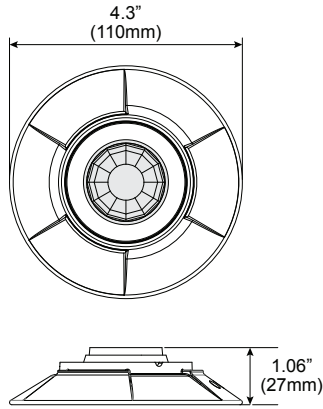
Initial setup and subsequent sensor adjustments are made using a Wireless Handheld Configuration Tool (FSIR-100). This tool enables adjustment of parameters including high and low modes, sensitivity, time delay, cut off and more. The FSIR-100 is also used to initiate automatic calibration of the FSP-2x1B ambient light level setpoint. The setpoint is used to hold the controlled lighting off or at a low level when there is sufficient daylight. The wireless tool stores up to six sensor parameter profiles to speed configuration of multiple sensors.

FSP-211**FSP-221**

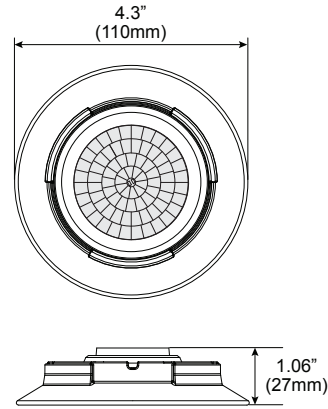
Lens with Shroud Dimensions

The FSP-Lx-S models include a shroud, which blocks high-angle light coming from the fixture, to improve photocell performance. With the shroud attached, the dimensions for all three lenses are identical

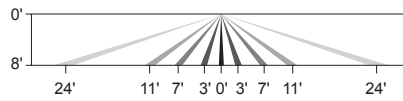
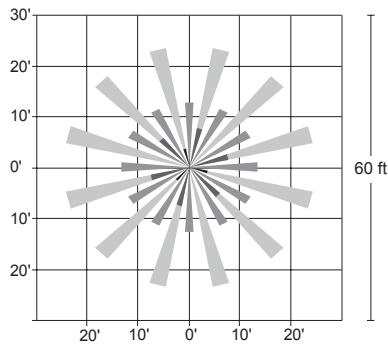
FSP-L2-S and FSP-L3-S



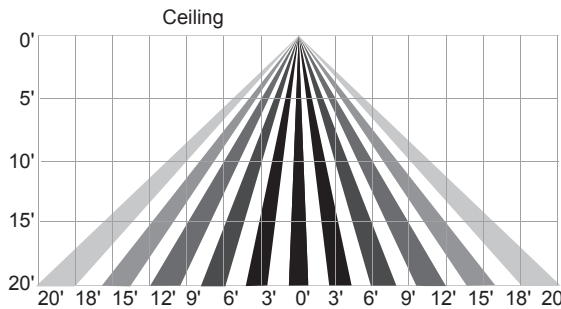
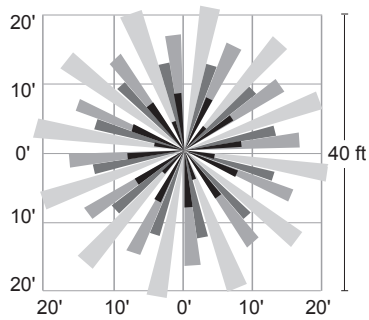
FSP-L7-S



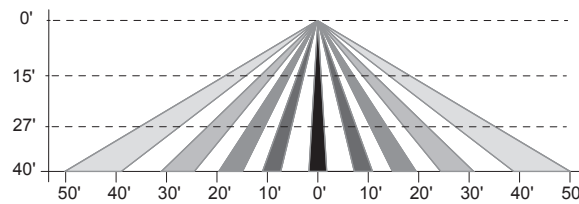
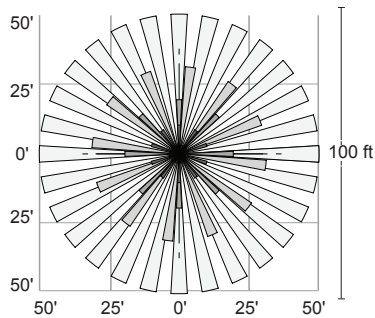
COVERAGE



FSP-L2 top and side coverage patterns



FSP-L3 top and side coverage patterns



FSP-L7 top and side coverage patterns

