

# VSF-1 LED Specifications

Area - Site - Commercial - Outdoor - Floodlight



The VSF LED Series is a smart, design-forward solution for landscape lighting projects that demand both performance and polish. With a sleek, low-profile form and rugged construction, VSF integrates cleanly into outdoor environments—delivering refined illumination that enhances pathways, planting beds, architectural features, and site focal points without visual clutter.

Engineered for long-term reliability, the VSF maximizes system life through advanced thermal management and a purpose-built design that separates the LED engine and driver into two cast-aluminum housings—helping protect critical components while sustaining consistent output over time.

Choose from 16 to 48 LEDs, a range of optical distribution patterns, and the right visual environment with 2700K, 3000K, 3500K, 4000K, or 5000K CCT plus 70/80/90 CRI options.

Finished in a durable polyester powder coat guaranteed for five years—available in standard or custom colors—the VSF brings dependable, energy-efficient performance to landscape, façade, signage, and general floodlighting applications.

Project Name:

Catalog Number:

Type:

Date:

Location:

Visionaire Lighting products are engineered with field serviceability and environmental responsibility at the core, giving customers a smarter, longer-lasting lighting solution. Designed for efficient maintenance and simplified access to key components, our fixtures help reduce downtime, extend product life, and make in-field updates or repairs faster and more cost-effective.



MODEL	OPTICS	LEDs	CURRENT	CCT
<b>VSF-1</b>	<b>7x5</b>	<b>16LD</b> *347/480V Not Available	<b>3</b> 350mA	<b>27K7 27K8 27K9</b> 2700K 70, 80, & 90 CRI
	<b>7x7</b>		<b>5</b> 530mA	<b>30K7 30K8 30K9</b> 3000K 70, 80, & 90 CRI
	<b>T4FT</b> Type 4 Forward Throw	<b>32LD</b> *347/480V Not Available at 350mA	<b>7</b> 700mA	<b>35K7 35K8 35K9</b> 3500K 70, 80, & 90 CRI
	<b>FN</b> Flood Narrow	<b>48LD</b>	<b>10</b> 1050mA	<b>40K7 40K8 40K9</b> 4000K 70, 80, & 90 CRI
	<b>FM</b> Flood Medium		<b>12</b> 1200mA	<b>50K7 50K8 50K9</b> 5000K 70, 80, & 90 CRI

VOLTAGE	MOUNTING	FINISH	CONTROL OPTIONS	SHIELD OPTIONS	OPTIONS
<b>UNV</b> 120-277V	<b>KM</b> Knuckle Mount *Slips over 2 3/8" Tenon with adjustable increments of 10°	<b>BZ</b> Bronze	<b>PC-120 PC-208</b> <b>PC-240 PC-277</b> Button Type Photocell	<b>ECLS</b> Egg Crate Louver Shield	<b>UMAP</b> Universal Mast arm fitter
<b>8</b> 347V	<b>TM</b> Trunnion Mount *Adjustable up to 90° in 5° increments.	<b>BK</b> Black	<b>DIM</b> 0-10v Dimming Driver	<b>ADJLS</b> Adjustable Louver Light Shield	<b>ROT-R</b> Rotated Optics Right Side
<b>5</b> 480V *347V & 480V not available in 32LC 350mA	<b>NM</b> Nipple Mount *Slip threads over a 3/4" NPT, allows for up to 90° of vertical adjustment in 10° increments from horizontal	<b>GY</b> Grey	<b>DTO</b> Dim to Off	<b>BD</b> Barn Door Shield	<b>ROT-L</b> Rotated Optics Left Side
	<b>AWM</b> Adjustable Wall Mount *Allows for up to 70° of vertical adjustment in 10° increments from horizontal	<b>SWH</b> Smooth White	<b>D4i</b> D4i DALI Driver		<b>BBG</b> Bird Spikes
		<b>WH</b> White			<b>BAA</b> Buy America(n) Act Compliant
		<b>GP</b> Graphite			
		<b>SL</b> Silver Metallic			
		<b>ZFP</b> Zinc-Free Primer Coat			
		<b>CC</b> Custom Color			

**Housing**

Cast aluminum LED housing with integral cooling fins for thermal management.

**Mounting Arm/Driver Compartment**

Durable cast aluminum driver compartment opens for easy access to removable driver(s) for ease of maintenance, and cooler driver operation; and are sealed with one-piece silicone gaskets.

**Thermal Management**

The VSF series provides excellent thermal management by mounting the LED's to the substantial heat sink of the housing. This enables the Luminaire to withstand higher ambient temperatures and driver currents without degrading LED life.

The L70 test determines the point in an LEDs life when it reaches 70 percent of its initial output. The VSF series LED's have been determined to last 80,000+ hours in 25° C environments when driven at 350 mA.

**Optical System**

The highest lumen output LEDs are utilized in the V-Flood series. LED light engines come in multiples of 16 LEDs.

- CRI values are 70, 80 or 90.
- CCT values are 2700K, 3000K, 3500K, 4000K, 5000K

**Quali-Guard® Finish**

The finish is a Quali-Guard® textured, chemically pretreated through a multiple-stage washer, electrostatically applied, thermoset polyester powder coat finish, with a minimum of 3-5 mils thickness. Finish is oven-baked at 400° F to promote maximum adherence and finish hardness. All finishes are available in standard and custom colors.

- Finish is guaranteed for five (5) years.

**Electrical Assembly**

The VSF LED series is supplied with a choice of 350, 530, 700, 1050, or 1200mA high-performance LED drivers that accept 120v thru 480v, 50 Hz to 60 Hz, input. Power factor of 90%. Rated for -40 oC operations.

- 10 kV surge protector supplied as standard.

**Warranty**

Five (5) year Limited Warranty on entire system, including finish. For full warranty information, please visit [VisionaireLighting.com](http://VisionaireLighting.com).

**Options**

- Button Type Photocell
- 0-10v Dimming Driver
- Dim to Off Driver
- D4i DALI Driver
- UMAP
- Egg Crate Light Shield
- Adjustable Louver Light Shield
- Barn Door Shield
- BAA/BABA

**Listings**

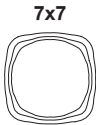
- The VSF is UL Listed, suitable for wet locations.
- Powder Coated Tough.
- IP66

**Light Color**

Correlated Color Temperature (CCT)



**Photometric Optical Summary**



**EPA Data**



**1.36**

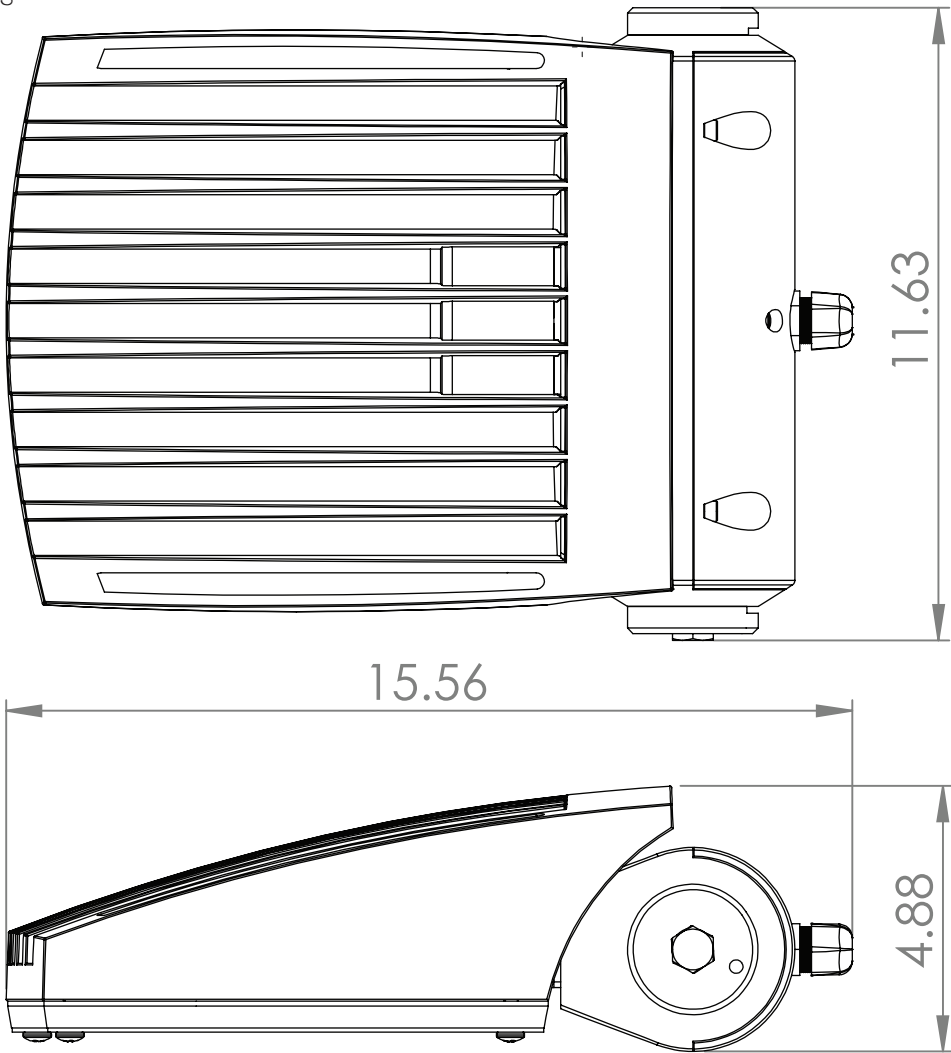
**Dimensions**

**Width:** VSF-1 10.5

**Depth:** VSF-1 23.75

**Height:** VSF-1 4.75

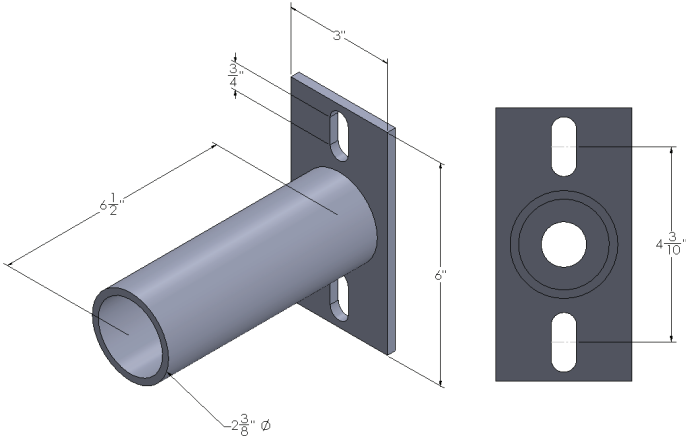
**Weight:** 40 LBS



VSF Options

Universal Mast Arm Fitter

**UMAP – The Universal Mast Arm Fitter** is a simple solution for retrofit applications where a fixture needs to mount to an existing pole, the UMAP is meant to be use to with knuckle mounts and also Mast Arm Fitters. The UMAP has a bolt slot ranging from 7" all the way down to 3.5". The UMAP also has a Round Pole Plate Adaptor (RPP) for mounting to round poles.



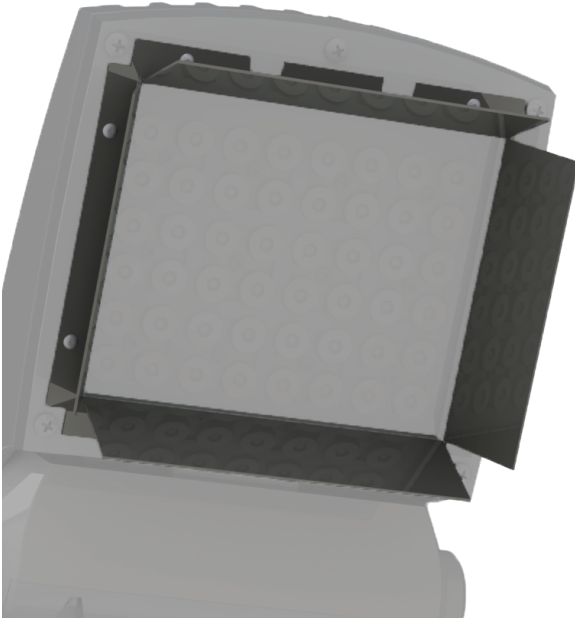
Egg Crate Light Shield



Adjustable Louver Light Shield



Barn Door Light Shield



---

## VSF Mounting Options

---

### Trunnion Mount



vTrunnion Mount is adjustable up to 90 degrees in 5 degree increments.

---

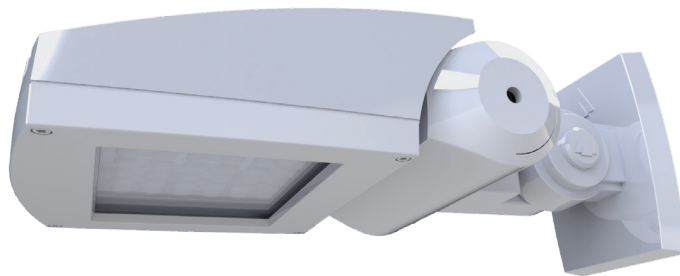
### Knuckle Mount



An adjustable knuckle slip fits over a 2-3/8" Tenon, and allows for up to 90 degrees of vertical adjustment in 10 degree increments from horizontal, as well as full side to side adjustment with the knuckle mount.

---

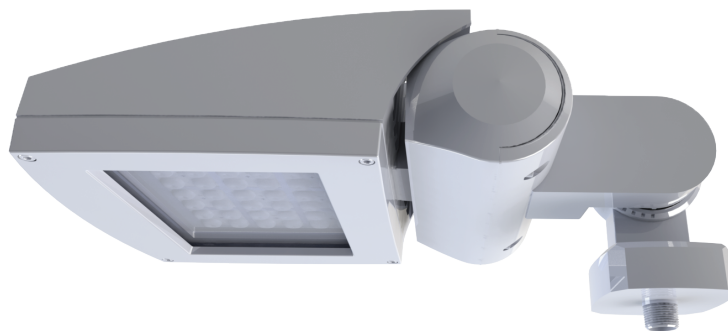
### Adjustable Wall Mount



A Adjustable Wall Mount that allows for up to 70 degrees of vertical adjustment in 10 degree increments from horizontal.

---

### Nipple Mount



An adjustable knuckle slip threads over a 3/4" NPT, and allows for up to 90 degrees of vertical adjustment in 10 degree increments from horizontal.

VSF-1 LED SPECIFICATIONS / Forward Optics																											
Led Count	Current & Watts	Distribution Type	70CRI																								
			27K					30K					35K					40K					50K				
			Lumens	B	U	G	LPW	Lumens	B	U	G	LPW	Lumens	B	U	G	LPW	Lumens	B	U	G	LPW	Lumens	B	U	G	LPW
16LD	350 mA (16.4W)	7X7	2000	1	0	1	122	2087	1	0	1	127	2087	1	0	1	127	2065	1	0	1	126	2174	1	0	1	132
		5X7	2209	1	0	1	134	2305	1	0	1	140	2305	1	0	1	140	2281	1	0	1	139	2401	1	0	1	146
		T4FT	2178	1	0	1	133	2272	1	0	1	138	2272	1	0	1	138	2249	1	0	1	137	2367	1	0	1	144
		FN	2336	2	0	1	142	2438	2	0	1	148	2438	2	0	1	148	2412	2	0	1	147	2539	2	0	1	155
		FM	2318	2	0	1	141	2419	2	0	1	147	2419	2	0	1	147	2394	2	0	1	146	2520	2	0	1	153
16LD	530 mA (25.3W)	7X7	3030	2	0	1	120	3162	2	0	1	125	3162	2	0	1	125	3129	2	0	1	123	3294	2	0	1	130
		5X7	3347	1	0	1	132	3492	1	0	1	138	3492	1	0	1	138	3456	1	0	1	136	3638	1	0	1	144
		T4FT	3300	1	0	1	130	3443	1	0	1	136	3443	1	0	1	136	3408	1	0	1	134	3587	1	0	1	142
		FN	3540	3	0	1	140	3694	3	0	1	146	3694	3	0	1	146	3655	3	0	1	144	3848	3	0	1	152
		FM	3513	3	0	1	139	3666	3	0	1	145	3666	3	0	1	145	3627	3	0	1	143	3818	3	0	1	151
16LD	700 mA (34.0W)	7X7	4005	2	0	1	118	4179	2	0	1	123	4179	2	0	1	123	4135	2	0	1	122	4353	2	0	1	128
		5X7	4423	1	0	1	130	4615	1	0	1	136	4615	1	0	1	136	4567	1	0	1	134	4808	1	0	1	142
		T4FT	4361	1	0	2	128	4550	1	0	2	134	4550	1	0	2	134	4503	1	0	2	133	4740	1	0	2	140
		FN	4678	3	0	1	138	4881	3	0	1	144	4881	3	0	1	144	4830	3	0	1	142	5085	3	0	1	150
		FM	4642	3	0	1	137	4844	3	0	1	143	4844	3	0	1	143	4794	3	0	1	141	5046	3	0	1	149
16LD	1050 mA (52.4W)	7X7	5594	3	0	1	107	5837	3	0	1	111	5837	3	0	1	111	5776	3	0	1	110	6080	3	0	1	116
		5X7	6178	1	0	1	118	6447	1	0	1	123	6447	1	0	1	123	6380	1	0	1	122	6715	1	0	1	128
		T4FT	6091	1	0	2	116	6356	1	0	2	121	6356	1	0	2	121	6290	1	0	2	120	6621	1	0	2	126
		FN	6534	3	0	1	125	6818	3	0	1	130	6818	3	0	1	130	6747	3	0	1	129	7102	3	0	1	136
		FM	6484	3	0	1	124	6766	3	0	1	129	6766	3	0	1	129	6696	3	0	1	128	7048	3	0	1	135
16LD	1200 mA (60.4W)	7X7	6193	3	0	1	103	6463	3	0	1	107	6463	3	0	1	107	6395	3	0	1	106	6732	3	0	1	112
		5X7	6840	1	0	1	113	7138	1	0	1	118	7138	1	0	1	118	7063	1	0	1	117	7435	2	0	2	123
		T4FT	6744	1	0	2	112	7037	1	0	2	117	7037	1	0	2	117	6964	1	0	2	115	7331	1	0	2	121
		FN	7235	4	0	1	120	7549	4	0	1	125	7549	4	0	1	125	7471	4	0	1	124	7864	4	0	1	130
		FM	7179	3	0	1	119	7492	4	0	1	124	7492	4	0	1	124	7414	3	0	1	123	7804	4	0	1	129

CRI Multiplier		
	2700K, 3000K, 3500K, 4000K	5000K
70 to 80 CRI	0.91	0.88
70 to 90 CRI	0.7	0.77

VSF-1 LED SPECIFICATIONS / Forward Optics																											
Led Count	Current & Watts	Distribution Type	70CRI																								
			27K					30K					35K					40K					50K				
			Lumens	B	U	G	LPW	Lumens	B	U	G	LPW	Lumens	B	U	G	LPW	Lumens	B	U	G	LPW	Lumens	B	U	G	LPW
32LD	350 mA (32.9W)	7X7	3963	2	0	1	121	4135	2	0	1	126	4135	2	0	1	126	4092	2	0	1	125	4307	2	0	1	131
		5X7	4377	1	0	1	133	4567	1	0	1	139	4567	1	0	1	139	4519	1	0	1	138	4757	1	0	1	145
		T4FT	4315	1	0	2	131	4503	1	0	2	137	4503	1	0	2	137	4456	1	0	2	136	4690	1	0	2	143
		FN	4629	3	0	1	141	4830	3	0	1	147	4830	3	0	1	147	4780	3	0	1	145	5031	3	0	1	153
		FM	4594	3	0	1	140	4793	3	0	1	146	4793	3	0	1	146	4743	3	0	1	144	4993	3	0	1	151
32LD	530 mA (50.7W)	7X7	6004	3	0	1	118	6265	3	0	1	124	6265	3	0	1	124	6200	3	0	1	122	6526	3	0	1	129
		5X7	6632	1	0	1	131	6920	1	0	1	137	6920	1	0	1	137	6848	1	0	1	135	7208	1	0	1	142
		T4FT	6539	1	0	2	129	6823	1	0	2	135	6823	1	0	2	135	6752	1	0	2	133	7107	1	0	2	140
		FN	7014	3	0	1	138	7319	4	0	1	144	7319	4	0	1	144	7243	4	0	1	143	7624	4	0	1	150
		FM	6960	3	0	1	137	7263	3	0	1	143	7263	3	0	1	143	7187	3	0	1	142	7566	4	0	1	149
32LD	700 mA (67.9W)	7X7	7935	3	0	1	117	8280	3	0	1	122	8280	3	0	1	122	8193	3	0	1	121	8625	3	0	1	127
		5X7	8764	2	0	2	129	9145	2	0	2	135	9145	2	0	2	135	9049	2	0	2	133	9526	2	0	2	140
		T4FT	8641	2	0	2	127	9016	2	0	3	133	9016	2	0	3	133	8922	2	0	2	131	9392	2	0	3	138
		FN	9269	4	0	1	136	9672	4	0	1	142	9672	4	0	1	142	9571	4	0	1	141	10075	4	0	1	148
		FM	9198	4	0	1	135	9598	4	0	1	141	9598	4	0	1	141	9498	4	0	1	140	9998	4	0	1	147
32LD	1050 mA (104.8W)	7X7	11083	3	0	2	106	11565	3	0	2	110	11565	3	0	2	110	11445	3	0	2	109	12047	3	0	2	115
		5X7	12241	2	0	2	117	12774	2	0	2	122	12774	2	0	2	122	12641	2	0	2	121	13306	2	0	2	127
		T4FT	12069	2	0	3	115	12594	2	0	3	120	12594	2	0	3	120	12463	2	0	3	119	13119	2	0	3	125
		FN	12947	4	0	1	124	13510	4	0	1	129	13510	4	0	1	129	13369	4	0	1	128	14073	4	0	1	134
		FM	12848	4	0	1	123	13407	4	0	1	128	13407	4	0	1	128	13267	4	0	1	127	13966	4	0	1	133
32LD	1200 mA (120.7W)	7X7	12271	3	0	2	102	12805	3	0	2	106	12805	3	0	2	106	12672	3	0	2	105	13338	3	0	2	110
		5X7	13553	2	0	2	112	14143	2	0	2	117	14143	2	0	2	117	13995	2	0	2	116	14732	3	0	3	122
		T4FT	13363	2	0	3	111	13944	2	0	3	115	13944	2	0	3	115	13799	2	0	3	114	14525	2	0	3	120
		FN	14335	4	0	1	119	14958	5	0	1	124	14958	5	0	1	124	14802	5	0	1	123	15581	5	0	1	129
		FM	14225	4	0	1	118	14844	4	0	1	123	14844	4	0	1	123	14689	4	0	1	122	15462	5	0	1	128

CRI Multiplier		
	2700K, 3000K, 3500K, 4000K	5000K
70 to 80 CRI	0.91	0.88
70 to 90 CRI	0.7	0.77

VSF-1 LED SPECIFICATIONS / Forward Optics																											
Lcd Count	Current & Watts	Distribution Type	70CRI																								
			27K					30K					35K					40K					50K				
			Lumens	B	U	G	LPW	Lumens	B	U	G	LPW	Lumens	B	U	G	LPW	Lumens	B	U	G	LPW	Lumens	B	U	G	LPW
48LD	350 mA (49.3W)	7X7	5504	3	0	1	112	5744	3	0	1	117	5744	3	0	1	117	5684	3	0	1	115	5983	3	0	1	121
		5X7	6079	1	0	1	123	6344	1	0	1	129	6344	1	0	1	129	6278	1	0	1	127	6608	1	0	1	134
		T4FT	5994	1	0	2	122	6255	1	0	2	127	6255	1	0	2	127	6189	1	0	2	126	6515	1	0	2	132
		FN	6430	3	0	1	130	6709	3	0	1	136	6709	3	0	1	136	6639	3	0	1	135	6989	3	0	1	142
		FM	6381	3	0	1	129	6658	3	0	1	135	6658	3	0	1	135	6589	3	0	1	134	6936	3	0	1	141
48LD	530 mA (76.0W)	7X7	8340	3	0	1	110	8703	3	0	1	114	8703	3	0	1	114	8612	3	0	1	113	9066	3	0	1	119
		5X7	9212	2	0	2	121	9612	2	0	2	126	9612	2	0	2	126	9512	2	0	2	125	10013	2	0	2	132
		T4FT	9082	2	0	3	119	9477	2	0	3	125	9477	2	0	3	125	9379	2	0	3	123	9872	2	0	3	130
		FN	9743	4	0	1	128	10166	4	0	1	134	10166	4	0	1	134	10061	4	0	1	132	10590	4	0	1	139
		FM	9669	4	0	1	127	10089	4	0	1	133	10089	4	0	1	133	9984	4	0	1	131	10509	4	0	1	138
48LD	700 mA (101.9W)	7X7	11022	3	0	2	108	11501	3	0	2	113	11501	3	0	2	113	11381	3	0	2	112	11980	3	0	2	118
		5X7	12173	2	0	2	119	12702	2	0	2	125	12702	2	0	2	125	12570	2	0	2	123	13232	2	0	2	130
		T4FT	12002	2	0	3	118	12524	2	0	3	123	12524	2	0	3	123	12394	2	0	3	122	13046	2	0	3	128
		FN	12875	4	0	1	126	13435	4	0	1	132	13435	4	0	1	132	13295	4	0	1	130	13995	4	0	1	137
		FM	12777	4	0	1	125	13332	4	0	1	131	13332	4	0	1	131	13193	4	0	1	129	13888	4	0	1	136
48LD	1050 mA (157.2W)	7X7	15395	4	0	2	98	16065	4	0	2	102	16065	4	0	2	102	15898	4	0	2	101	16734	4	0	2	106
		5X7	17004	3	0	3	108	17743	3	0	3	113	17743	3	0	3	113	17558	3	0	3	112	18482	3	0	3	118
		T4FT	16765	3	0	3	107	17494	3	0	3	111	17494	3	0	3	111	17312	3	0	3	110	18223	3	0	3	116
		FN	17984	5	0	1	114	18766	5	0	1	119	18766	5	0	1	119	18571	5	0	1	118	19548	5	0	1	124
		FM	17847	5	0	1	114	18623	5	0	1	118	18623	5	0	1	118	18429	5	0	1	117	19399	5	0	1	123
48LD	1200 mA (181.1W)	7X7	17046	4	0	2	94	17787	4	0	2	98	17787	4	0	2	98	17601	4	0	2	97	18528	4	0	2	102
		5X7	18826	3	0	3	104	19645	3	0	3	108	19645	3	0	3	108	19440	3	0	3	107	20464	3	0	3	113
		T4FT	18562	3	0	3	102	19369	3	0	3	107	19369	3	0	3	107	19167	3	0	3	106	20176	3	0	3	111
		FN	19912	5	0	2	110	20778	5	0	2	115	20778	5	0	2	115	20561	5	0	2	114	21643	5	0	2	120
		FM	19760	5	0	1	109	20619	5	0	1	114	20619	5	0	1	114	20404	5	0	1	113	21478	5	0	2	119

CRI Multiplier		
	2700K, 3000K, 3500K, 4000K	5000K
70 to 80 CRI	0.91	0.88
70 to 90 CRI	0.7	0.77

ELECTRIAL LOAD (A)							
Ordering Nomenclature	System Watts	120	208	240	277	347	480
VSF-1-16LD-3	16	.133	.076	.066	.057	.046	.033
VSF-1-16LD-5	25	.208	.120	.104	.090	.072	.052
VSF-1-16LD-7	34	.283	.163	.141	.122	.097	.070
VSF-1-16LD-10	52	.433	.250	.216	.187	.149	.108
VSF-1-16LD-12	60	.500	.288	.250	.216	.172	.125
VSF-1-32LD-3	33	.275	.158	.137	.119	.095	.068
VSF-1-32LD-5	51	.425	.245	.212	.184	.146	.106
VSF-1-32LD-7	68	.566	.326	.283	.245	.195	.141
VSF-1-32LD-10	105	.875	.504	.437	.379	.302	.218
VSF-1-32LD-12	121	1.008	.581	.504	.436	.348	.252
VSF-1-48LD-3	49	.408	.235	.204	.176	.141	.102
VSF-1-48LD-5	76	.633	.365	.316	.274	.219	.158
VSF-1-48LD-7	102	.850	.490	.425	.368	.293	.212
VSF-1-48LD-10	157	1.308	.754	.654	.566	.452	.327
VSF-1-48LD-12	181	1.508	.870	.754	.653	.521	.377