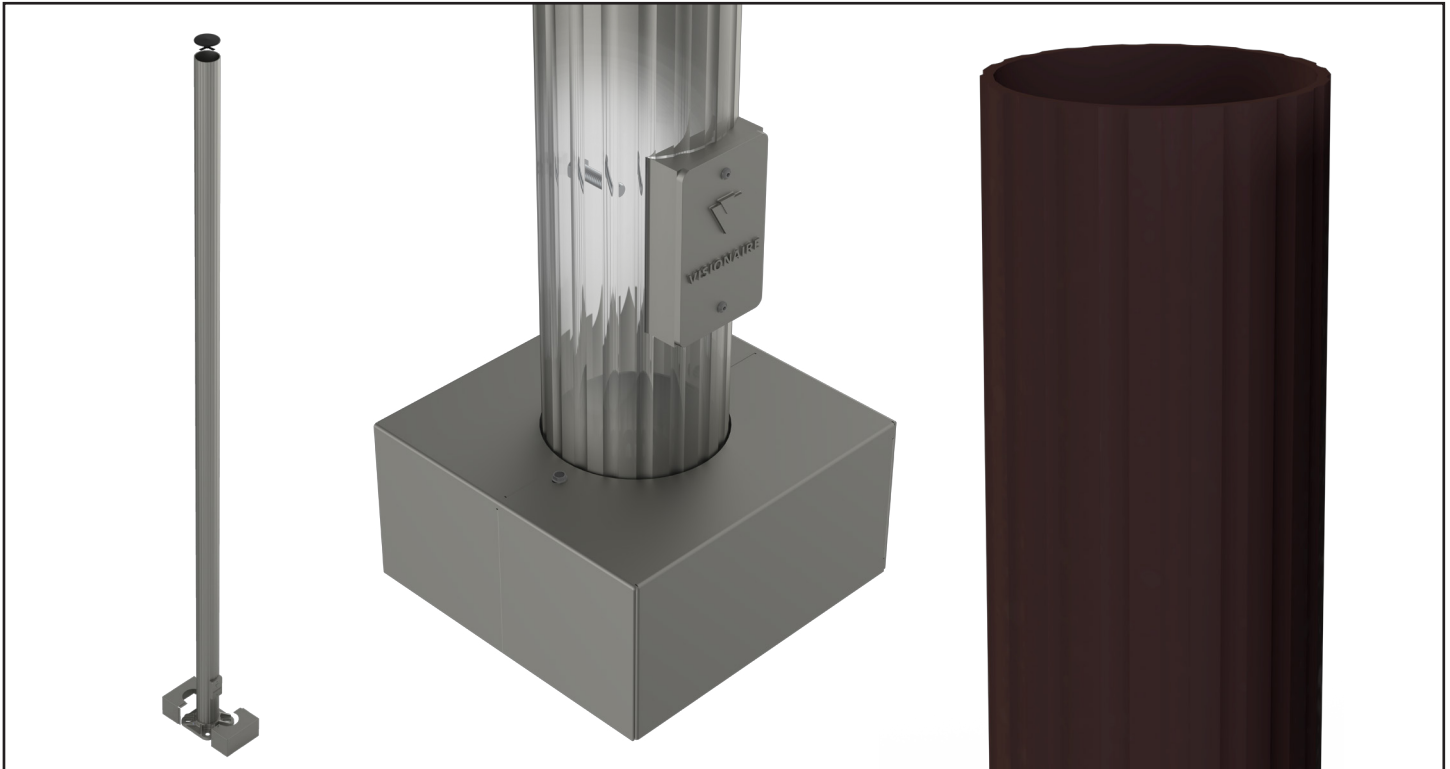


# RNTFA Specifications

## Round Non Tapered Fluted Aluminum Pole



### Round Non Tapered Fluted Aluminum Pole

#### Pole Shaft

- Extruded from 6063 alloy aluminum tubing. Shaft is furnished with aluminum ground lug inside pole, opposite hand hole opening. Pole shaft includes a reinforced hand hole opening with cover.

#### Base Cover

- Die-formed from heavy gauge quality aluminum. Two piece square cover for easy installation. \*Round base covers are optional.
- Base templates provided with order. Do not pre-pour.

#### Pole Cap

- Color-impregnated polymer snap-to-close pole cap provided in black.

#### Finish

- All poles are ground and chemically pretreated through a multi-stage washer prior to painting. A Quali-Guard® textured thermoset polyester powder coat is then applied to a minimum of 3 mils and then oven-baked at a temperature of 400 °F to promote exceptional adherence and finish hardness. Optional Zinc-Free Primer - Recommended within three miles of the ocean. Pole finish is warranted for a full two (2) years. An optional five (5) year extended warranty is also available.

Project Name:

Catalog Number:

Type:

Date:


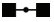




Location:

#### Anchor Bolts

- Poles are provided with hot-dip galvanized anchor bolts, with a "J" bend on one end and two flat hex bolts end and two flat washers per bolt. Anchor bolts meet or exceed a minimum of 36,000 PSI. Anchor bolts conform to ASTM F1554 grade 36 and are provided.

LED Specifications **RNTFA**

MODEL	SHAFT SIZE	GAUGE	HEIGHT	BASE	ANCHORAGE
<b>RNTFA</b> Round Non Tapered Fluted Aluminum	<b>4R</b> 4" Ø	<b>188</b> .188"	<b>10'</b> <b>12'</b> <b>14'</b>	<b>AKB</b> Cast Aluminum Base  <b>CB</b> Custom Base · Consult Factory	<b>343</b> 3/4" X 30"
	<b>5R</b> 5" Ø			<b>Direct Burial</b> * Consult Factory NOTE: CUP and/or HHC Options required.	

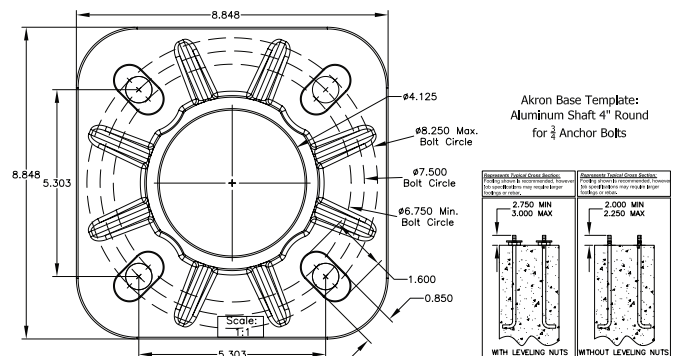
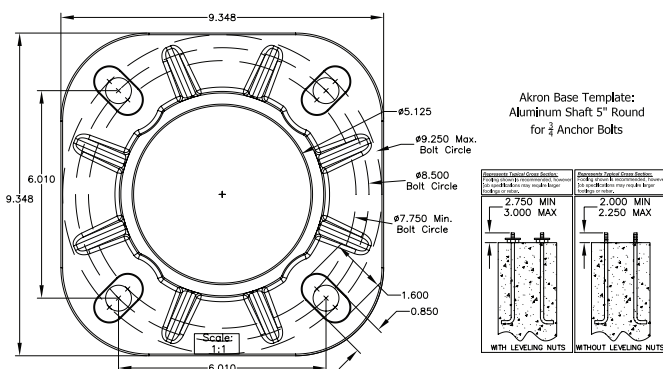
MOUNTING	FINISH	FINISH OPTIONS	ELECTRICAL OPTIONS	OPTIONS
<p><b>S1</b> Single Bolt-On Arm</p>  <p><b>D2</b> Double 180° Bolt-On Arm</p>  <p><b>D9</b> Double 90° Bolt-On Arm</p>  <p><b>T1</b> Triple 120° Bolt-On Arm</p>  <p><b>T9</b> Triple 90° Bolt-On Arm</p>  <p><b>QD</b> Quad Bolt-On Arm</p>  <p><b>Tenon Options</b></p> <p><b>T238R</b> 2 3/8"</p> <p><b>T3R</b> 3"</p> <p><b>T3.5R</b> 3 1/2"</p> <p><b>T4R</b> 4"</p>	<p><b>BZ</b> Bronze</p> <p><b>BK</b> Black</p> <p><b>SBK</b> Smooth Black</p> <p><b>WH</b> White</p> <p><b>SWH</b> Smooth White</p> <p><b>GP</b> Graphite</p> <p><b>GY</b> Grey</p> <p><b>SL</b> Silver Metallic</p> <p><b>GN</b> Tennis Green</p> <p><b>FG</b> Forest Green</p> <p><b>CC</b> Custom Color</p>	<p><b>ANO</b> Anodized * No Paint</p> <p><b>XX+ANO</b> Powder Coat Paint Over Anodized</p> <p><b>ZFP</b> Zinc-Free Primer Coat * Consult Factory</p>	<p><b>RBC</b> Round Base Cover * Consult Factory</p> <p><b>GFI</b> GFI Receptacle * Standard location is in hand hole. Supplied with in use cover.</p> <p><b>USB</b> USB Receptacle * Specify location. Supplied with in use cover.</p> <p><b>UL</b> UL Certified</p>	<p><b>CUP1/2</b> Coupling 1/2" * Specify location</p> <p><b>CUP3/4</b> Coupling 3/4" * Specify location</p> <p><b>XHH</b> Extra Hand Hole * Specify location</p> <p><b>HCR</b> Rust-Inhibiting Internal Coating &amp; Primer * Required for Direct Burial Poles</p> <p><b>IVD</b> Internal Vibration Dampener</p> <p><b>EB</b> Eye Bolt</p> <p><b>BAA</b> Buy America(n) Act Compliant</p> <p><b>BABA</b> Build America Buy American</p>

# \*Consult factory for EPA data.

· CAUTION: If any additional stress such as flags, banners, streamers, ropes, or any other such items are added to poles, Visionaire Lighting's normal product guarantee is null and void. Additionally, adding such items to any pole may create severely hazardous conditions. Poles are calculated to withstand steady wind velocities of between 70 and 100 mph wind zones with a 1.3 gust factor depending on height, wall thickness, and width/ diameter. For an exact rating on a specific order, contact Visionaire directly.

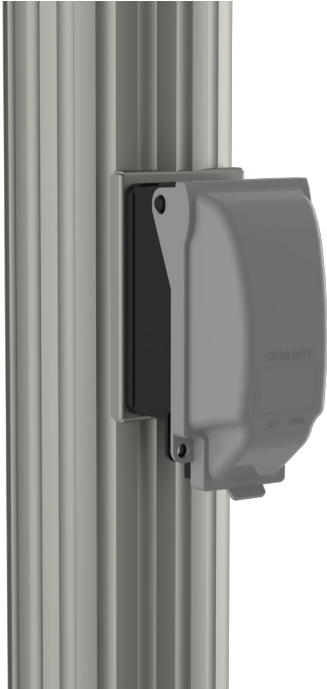
· Certain geographic areas experience unique wind conditions that can cause wind-induced vibrations leading to a fatigue problem. There is currently no known method to predict destructive vibration of lighting poles. These conditions are unique and cannot be guaranteed against, and it is the responsibility of a site engineer to address them locally.

## Base Plate Templates - Not To Scale



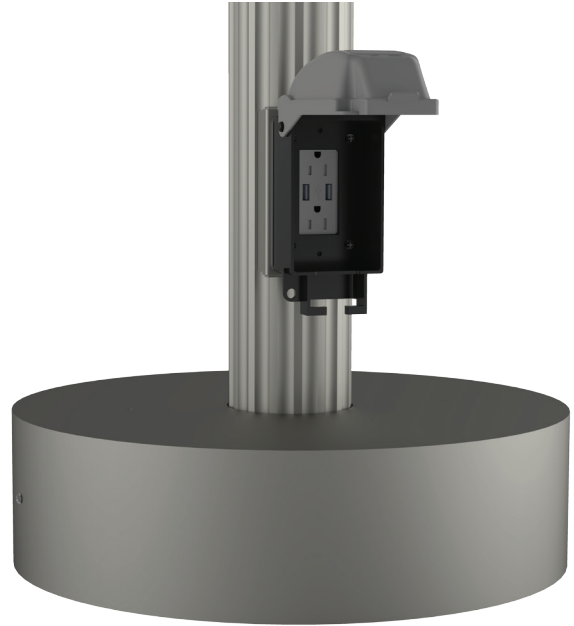
**GFI Receptacle**

Standard location is in hand hole.  
Supplied with in-use cover.



**USB Receptacle**

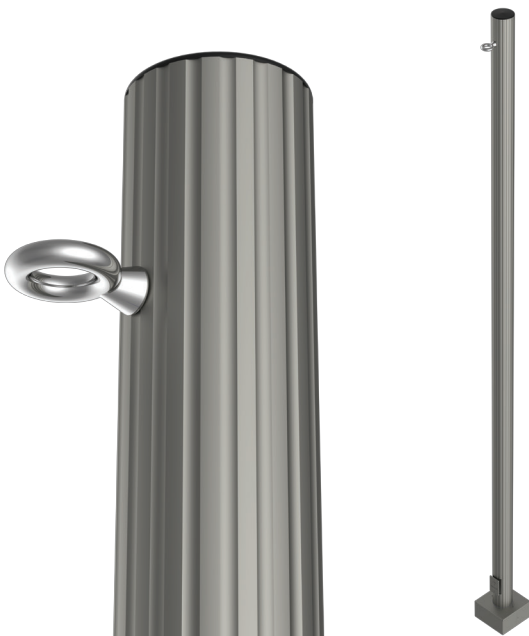
Standard location is in hand hole.  
Supplied with in-use cover.



Optional round base cover shown.

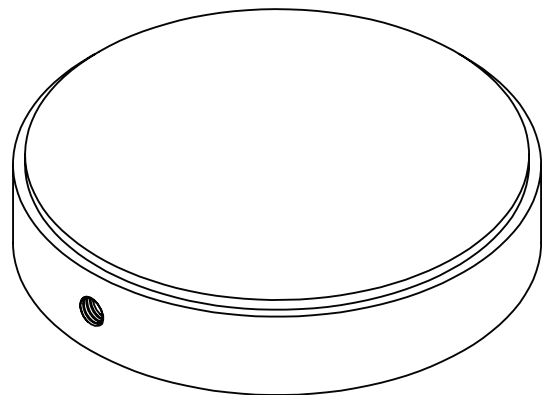
**Eye Bolt**

Specify orientation, height and location.  
1 17/32" Max eye diameter. Standard  
position 6" downwards from top, same  
side as standard hand hole.



**UL Certified**

UL Certified option comes  
supplied with aluminum  
pole cap painted black as standard.



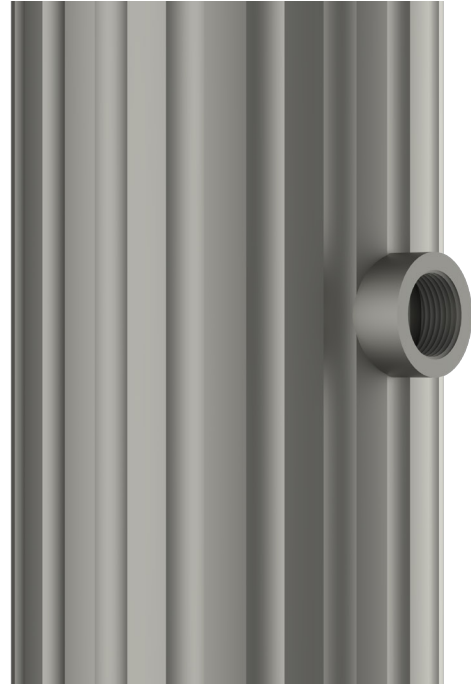
### 1/2" Coupling

Specify orientation, height and location

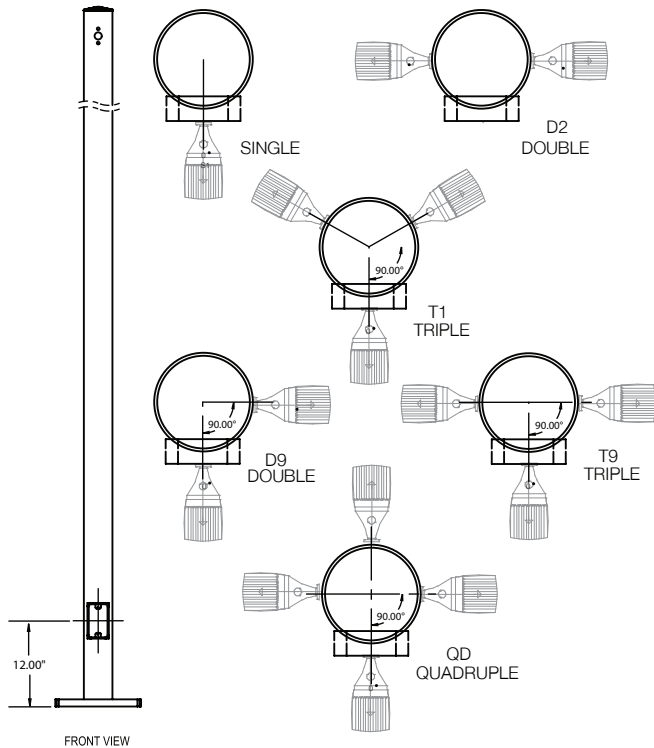


### 3/4" Coupling

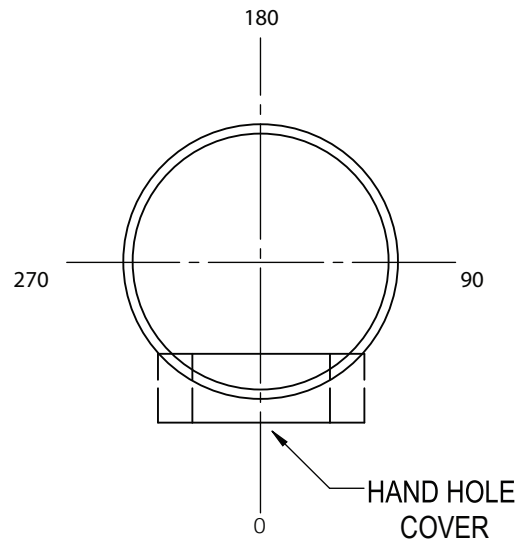
Specify orientation, height and location



### Hand Hole And Fixture Orientation



### Hand Hole And Accesories Orientation



### Internal Vibration Dampener

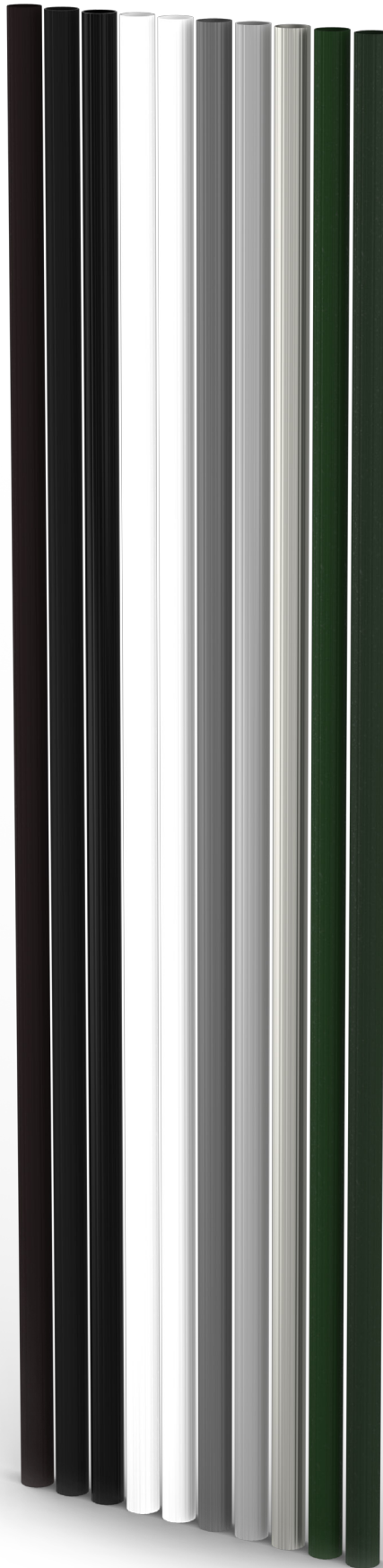
Internal Chain Vibration Damper can be installed in the field to mollify first mode pole vibration.



Optional round base cover shown.

**10 Standard Finish Colors**

- Bronze
- Black
- Smooth Black
- White
- Smooth White
- Graphite
- Grey
- Silver Metallic
- Tennis Green
- Forest Green



### Extra Hand Hole

XHH (Standard Dimensions are 3" X 5")

To Specify the XHH, you must choose the desired side of the pole in degrees, and the location of the center of the hand hole from grade in feet

. Refer to Fig. 1 and Fig 2.

Ordering Example : XHH-0DEG-YFT (XHH-0DEG-3FT)

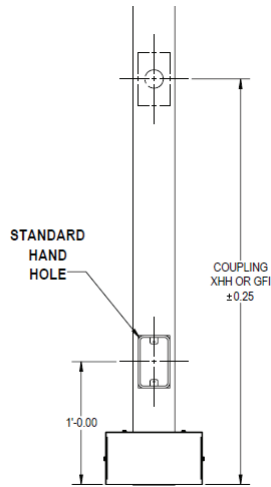


Fig. 1

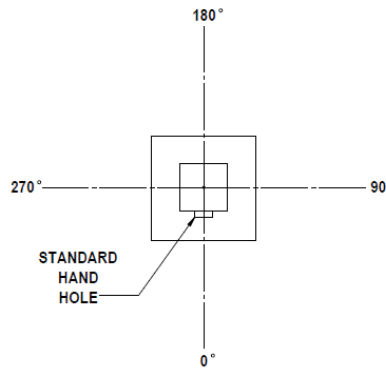


Fig. 2

### Coupling

CUP (Coupling sizes are 1/2"NPT, 3/4NPT, 1"NPT")

To specify the CUP, you must choose size, orientation in degrees and location in feet for each coupling. Refer to Fig. 1 and Fig 2.

Ordering Example : CUPS-0DEG-YFT (CUP1/2-0DEG-7FT)

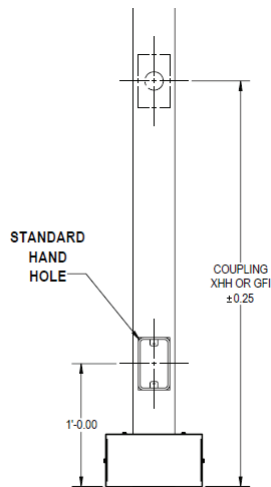


Fig. 1

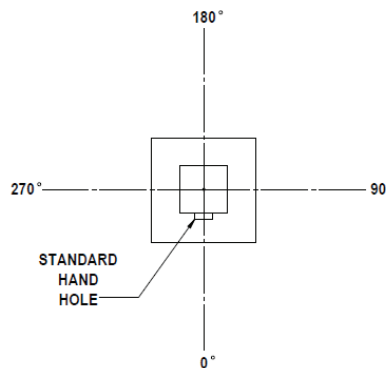


Fig. 2